

BATHROOM 2024 EUR



SAMUEL HEATH

Handmade in England

Finishes



Chrome - CP

Chrome plate finish is achieved by applying an initial layer of copper, followed by a layer of bright nickel and finally a coating of hard gloss chromium to achieve the lustrous hard-wearing mirror finish.



Polished Nickel - PN

Polished nickel is a warm luxurious finish which undergoes the same layering of copper and bright nickel. This finish is left unlacquered to allow its own natural patina to develop over time.



Stainless Steel Finish - SSF

This brushed nickel finish undergoes a layering of copper and satin nickel and is finished with an intricate brushing process to create the desired texture. The finish remains unlacquered to allow its natural patina to develop.



Matt Black Chrome - MBC

This coloured chrome finish is achieved by layering copper and satin nickel then a final layer of black chrome plate is applied to create this deep, smooth matt highly durable finish.



City Bronze - CTB*

City bronze is a contemporary dark bronze shade which is a hand applied metallic finish. An application of matt lacquer means that the finish will maintain its colour and look over time and will not patina.



Country Bronze - CNB*

Country bronze is a light, warm shade of bronze which is a hand applied metallic finish. An application of matt lacquer means that the finish will maintain its colour and look over time and will not patina.



Antique Brass Matt - ABM*

This vintage brass finish has an aged brass affect which is achieved using a combination of creative and technical lacquering and colouring processes. The finish is lacquered which allows its original aged look to be preserved over time.



Antique Gold - AG

This subtle gold finish is achieved with protective layers of copper and bright nickel with a final layer of 24 carat real gold for a true saturated colour which darkens over time and offers natural resistance to corrosion.



Brushed Gold - BG

This brushed gold finish is a natural brass finish which is hand polished and finished with an intricate brushing process to achieve its textured look. The finish is left unlacquered to allow its natural patina to develop over time.

Using the finest European brass, our Master Polishers create a perfectly smooth surface with no imperfections. This is crucial in providing a flawless surface so that once electroplated, the finish bares the distinguishing features of depth, lustre and durability that Samuel Heath products are renowned for. An initial coating of copper is not always necessary when plating pure brass but we do so to ensure longevity. Each stage of the process is controlled by skilled technicians to ensure that the optimum depth of metal is applied for a lustrous and lasting finish.

A diverse range of metal and pure brass finishes means Samuel Heath brassware is ideal for both traditional and contemporary settings. Furthermore, many of Samuel Heath's finishes are available across our bathroom and hardware collections, allowing for seamless continuity.

**Brushed Gold Matt – BGM**

This brushed gold finish is a natural brass finish which is hand polished and finished with an intricate brushing process to achieve its textured look. A layer of matt lacquer is finally applied to achieve a lasting satin finish.

**Brushed Gold Gloss - BGG**

This brushed gold finish is a natural brass finish which is hand polished and finished with an intricate brushing process to achieve its textured look. A layer of gloss lacquer is finally applied to achieve a lasting gloss finish.

**Urban Brass – URB****

Exclusive to Landmark collection this dual effect is achieved using part polished and part bead blasting to create this urban styling. This finish remains unlacquered to allow its patina to develop over time.

**Urban Brass Matt – URM****

Exclusive to Landmark collection this natural brass finish is part brushed and part bead blasted to create this urban look. A layer of matt lacquer is applied to maintain a lasting matt finish which maintains its look over time.

**Stainless Steel & Matt Black Chrome - SSB**

This finish combination is available for One Hundred and Landmark collections and combines two popular contemporary finishes. The matt black chrome accents provide a stunning contrast to the brushed satin nickel. This combination remains unlacquered so the nickel will patina over time.

**Polished Brass - PB**

This natural brass finish has an electrophoretic lacquer applied to preserve its colour and high shine and will maintain its look over time.

**Non-Lacquered Brass - NL**

This natural brass finish is unlacquered to allow its unique patina to develop over time. Alternatively, if cleaned regularly after use it can maintain its lustre.

* There will always be a slight colour variation in components of these finishes due to the hand application process.

** Some components such as shower heads do not go through the bead blasting process.

A complete Finish Box and individual finish swatches are available on request.

Finish Guarantees

CP and MBC carry a 10 year finish guarantee.

CTB, CNB, ABM, BGM, BGG, URM and PB carry a 5 year finish guarantee.

AG carries a 2 year finish guarantee.

All other unlacquered finishes develop their individual patina over time which is part of their inherent charm therefore as such do not carry a finish guarantee. Due to the brass alloy composition colour can vary between components.

forme

Speed forme

Classic forme

Oriel forme

3 Hole wall mounted basin tap with T-bar controls in matt black chrome

Forme is a highly dynamic collection of brass taps, showers and accessories that typifies contemporary minimalism.

Conscious design is embodied in this highly versatile range of brassware. Presenting pared-back silhouettes with slim, curved profiles and three sub-collections of stylised control options for diverse appeal.

Using the same attention to craftsmanship that is embedded in our tradition of excellence, a refined route of manufacturing processes allows for the use of fewer metal parts to conserve precious metals and reduce the factory's consumption of energy. In turn, this means that Forme is more environmentally friendly.



Speed forme

Speed Forme brassware presents energy in motion, inspired by the sculpted characteristics of automotive and yacht design.

This dynamic range of brassware for the basin, bath, shower or bidet presents pared back spouts in tall, curved profiles to highlight the symmetry of matching controls. Lever and T-bar options feature angular, continuous lines styled with convex faces on their surface to nestle perfectly in the crease of the palm.

3 Hole deck mounted basin tap with high spout and Speed levers in antique brass matt



Speed forme

BASIN and BIDET



T2010



T2019

WRAS approval pending.



T20K14

WRAS approval pending.



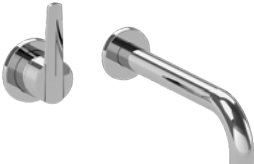
T20K15



T20K16



T2020-1



T2020-2



T20K17-1



T20K17-2



Speed forme

BATH



V141-SP
WRAS approval pending.



T2042
WRAS approval pending.



T2007
WRAS approval pending.



T20K36
WRAS approval pending.

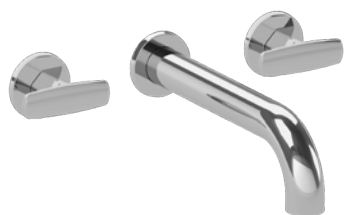
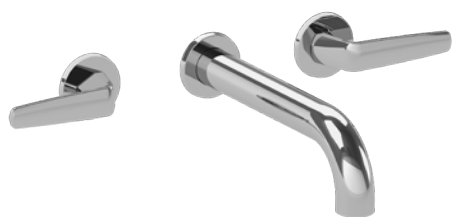


T20K48



Speed forme

BATH



T20K47



WC



V145



T2077



V171
V172



All Forme taps, showers and ancillaries have been submitted for WRAS approval.

Speed forme

SHOWER



T2000

T2007
WRAS approval pending.
Rough only

T2068

Rough only

T2001
WRAS approval pending.
Rough only

T2002
WRAS approval pending.
Rough only



T2005
WRAS approval pending.
Rough only



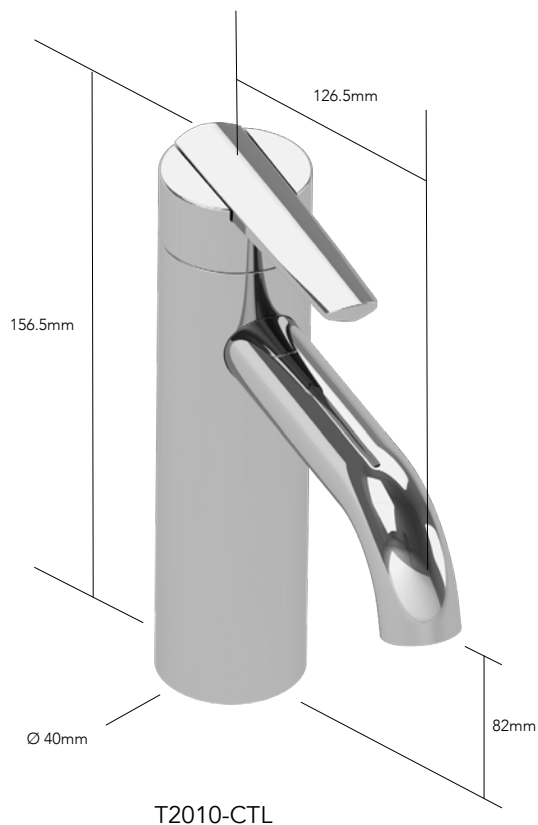
T20B1



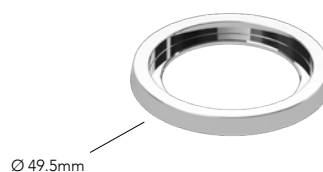
T20B2

Speed forme Basin

T2010-CTL Single lever basin mixer without pop-up waste
 T2010-B Optional escutcheon for tap hole diameters 30mm - 40mm



T2010-CTL



T2010-B

FITTING / APPROVALS

Feeds: 1/2"
 Max deck thickness: 40mm
 Drill hole Ø without additional
 escutcheon: 30mm - 34mm

For drill holes 30mm - 40mm
 order T2010-B

FINISH

CP
 PN
 SSF/NL
 BGM
 MBC
 ABM/CNB/CTB
 AG

T2010-CTL

€1,024
 €1,126
 €1,184
 €1,308
 €1,438
 €1,508
 €1,826

T2010-B

€76
 €84
 €90
 €98
 €106
 €112
 €136



FLOW RATES

Flow can be limited
 eg. for BREEAM



0.5 bar 1.7 l/min
 1.0 bar 2.5 l/min
 3.0 bar 4.0 l/min

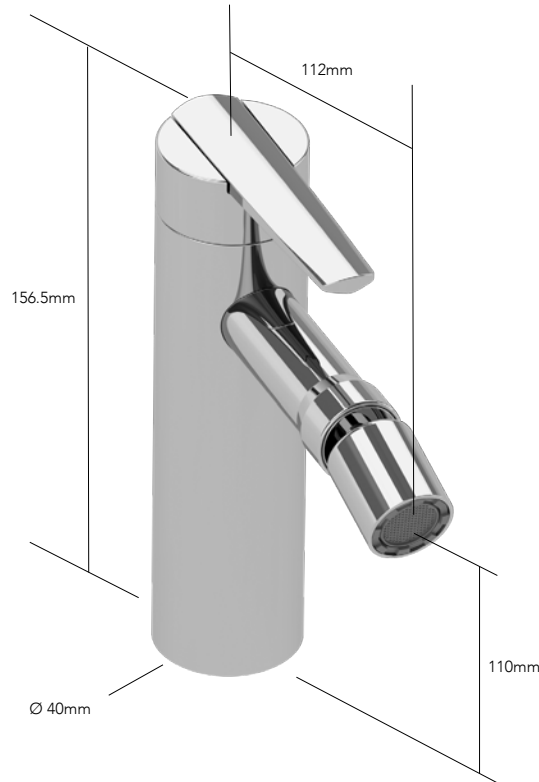
An optional aerator is available to improve flow rates at low pressure.
 Contact customer services for more information.



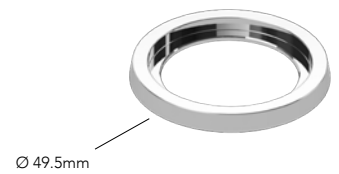
Speed forme Bidet

T2019-CTL Single lever bidet mixer without pop-up waste

T2010-B Optional escutcheon for tap hole diameters 30mm - 40mm



T2019-CTL



T2010-B

FITTING / APPROVALS

Feeds: 1/2"

Max deck thickness: 40mm

Drill hole Ø without additional escutcheon: 30mm - 34mm

For drill holes 30mm - 40mm order T2010-B

FINISH

FINISH	T2019-CTL	T2010-B
CP	€1,072	€76
PN	€1,180	€84
SSF/NL	€1,238	€90
BGM	€1,366	€98
MBC	€1,502	€106
ABM/CNB/CTB	€1,578	€112
AG	€1,910	€136

WRAS approval pending

FLOW RATES

Flow can be limited eg. for BREEAM

0.5 bar 4.2 l/min

1.0 bar 6.2 l/min

3.0 bar 11.8 l/min



CP
Chrome
plate



PN
Polished
nickel



SSF
Stainless steel
finish



NL
Non lacquered
brass



BGM
Brushed gold matt
lacquered



MBC
Matt black
chrome



ABM
Antique
brass matt
lacquered



CNB
Country
bronze



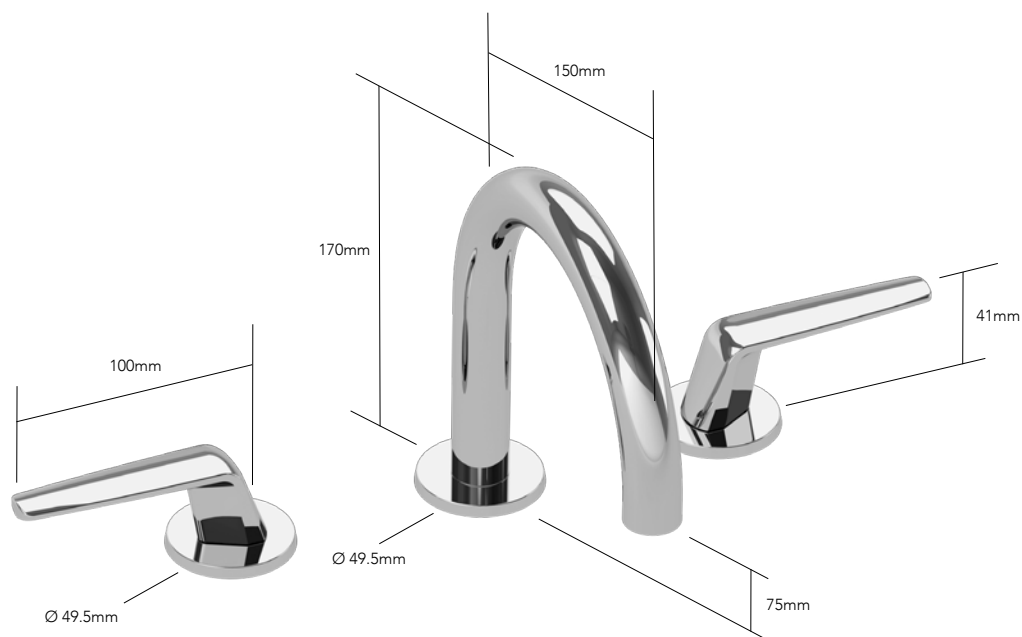
CTB
City bronze



AG
Antique
gold

Speed forme Basin

T20K14-CTL 3 Hole basin filler without pop-up waste, 170mm spout height



Speed Lever

FITTING / APPROVALS

Feeds: 1/2"
 Max deck thickness: 40mm
 Max drill hole Ø side valve: 33mm
 Max drill hole Ø spout: 41mm

WRAS approval pending

FINISH

CP	€1,172
PN	€1,290
SSF/NL	€1,354
BGM	€1,496
MBC	€1,646
ABM/CNB/CTB	€1,728
AG	€2,088

PRICE

FLOW RATES

0.5 bar 1.8 l/min
 1.0 bar 2.6 l/min
 3.0 bar 4.0 l/min

Flow can be limited
 eg. for BREEAM



An optional aerator is available to improve flow rates at low pressure.
 Contact customer services for more information.



CP
 Chrome
 plate

PN
 Polished
 nickel

SSF
 Stainless steel
 finish

NL
 Non lacquered
 brass

BGM
 Brushed
 gold matt
 lacquered

MBC
 Matt black
 chrome

ABM
 Antique
 brass matt
 lacquered

CNB
 Country
 bronze

CTB
 City bronze

AG
 Antique
 gold

Speed forme Basin

T20K14-CBA 3 Hole basin filler without pop-up waste, 170mm spout height



Speed T-Bar

FITTING / APPROVALS

Feeds: 1/2"
 Max deck thickness: 40mm
 Max drill hole Ø side valve: 33mm
 Max drill hole Ø spout: 41mm

WRAS approval pending

FINISH

CP	€1,172
PN	€1,290
SSF/NL	€1,354
BGM	€1,496
MBC	€1,646
ABM/CNB/CTB	€1,728
AG	€2,088

PRICE

FLOW RATES

Flow can be limited
 eg. for BREEAM

0.5 bar 1.8 l/min
 1.0 bar 2.6 l/min
 3.0 bar 4.0 l/min



An optional aerator is available to improve flow rates at low pressure.
 Contact customer services for more information.



CP
 Chrome
 plate



PN
 Polished
 nickel



SSF
 Stainless steel
 finish



NL
 Non lacquered
 brass



BGM
 Brushed
 gold matt
 lacquered



MBC
 Matt black
 chrome



ABM
 Antique
 brass matt
 lacquered



CNB
 Country
 bronze



CTB
 City bronze



AG
 Antique
 gold

Speed forme Basin

T20K15-CTL 3 Hole basin filler without pop-up waste, 230mm spout height



FITTING / APPROVALS

Feeds: 1/2"

Max deck thickness: 40mm

Max drill hole Ø side valve: 33mm

Max drill hole Ø spout: 41mm



FINISH

CP	€1,210
PN	€1,332
SSF/NL	€1,398
BGM	€1,542
MBC	€1,698
ABM/CNB/CTB	€1,782
AG	€2,156

PRICE

FLOW RATES

Flow can be limited
eg. for BREEAM

0.5 bar 1.8 l/min

1.0 bar 2.6 l/min

3.0 bar 4.0 l/min



An optional aerator is available to improve flow rates at low pressure.
Contact customer services for more information.



CP
Chrome
plate



PN
Polished
nickel



SSF
Stainless steel
finish



NL
Non lacquered
brass



BGM
Brushed
gold matt
lacquered



MBC
Matt black
chrome



ABM
Antique
brass matt
lacquered



CNB
Country
bronze



CTB
City bronze



AG
Antique
gold

Speed forme Basin

T20K15-CBA 3 Hole basin filler without pop-up waste, 230mm spout height



Speed T-Bar

FITTING / APPROVALS

Feeds: 1/2"

Max deck thickness: 40mm

Max drill hole Ø side valve: 33mm

Max drill hole Ø spout: 41mm



FINISH

CP	€1,210
PN	€1,332
SSF/NL	€1,398
BGM	€1,542
MBC	€1,698
ABM/CNB/CTB	€1,782
AG	€2,156

PRICE

FLOW RATES Flow can be limited eg. for BREEAM

0.5 bar 1.8 l/min

1.0 bar 2.6 l/min

3.0 bar 4.0 l/min



An optional aerator is available to improve flow rates at low pressure. Contact customer services for more information.



CP
Chrome
plate



PN
Polished
nickel



SSF
Stainless steel
finish



NL
Non lacquered
brass



BGM
Brushed
gold matt
lacquered



MBC
Matt black
chrome



ABM
Antique
brass matt
lacquered



CNB
Country
bronze



CTB
City bronze



AG
Antique
gold

Speed forme Basin

T20K16-CTL 3 Hole basin filler without pop-up waste, 290mm spout height



Speed Lever

FITTING / APPROVALS

Feeds: 1/2"
 Max deck thickness: 40mm
 Max drill hole Ø side valve: 33mm
 Max drill hole Ø spout: 41mm



FINISH

CP	€1,248
PN	€1,372
SSF/NL	€1,442
BGM	€1,590
MBC	€1,750
ABM/CNB/CTB	€1,838
AG	€2,224

PRICE

FLOW RATES

0.5 bar 1.8 l/min
 1.0 bar 2.6 l/min
 3.0 bar 4.0 l/min

Flow can be limited
 eg. for BREEAM



An optional aerator is available to improve flow rates at low pressure.
 Contact customer services for more information.



CP
 Chrome
 plate



PN
 Polished
 nickel



SSF
 Stainless steel
 finish



NL
 Non lacquered
 brass



BGM
 Brushed
 gold matt
 lacquered



MBC
 Matt black
 chrome



ABM
 Antique
 brass matt
 lacquered



CNB
 Country
 bronze



CTB
 City bronze



AG
 Antique
 gold

Speed forme Basin

T20K16-CBA 3 Hole basin filler without pop-up waste, 290mm spout height



Speed T-Bar

FITTING / APPROVALS

Feeds: 1/2"
 Max deck thickness: 40mm
 Max drill hole Ø side valve: 33mm
 Max drill hole Ø spout: 41mm



FINISH

CP	€1,248
PN	€1,372
SSF/NL	€1,442
BGM	€1,590
MBC	€1,750
ABM/CNB/CTB	€1,838
AG	€2,224

PRICE

FLOW RATES

0.5 bar 1.8 l/min
 1.0 bar 2.6 l/min
 3.0 bar 4.0 l/min

Flow can be limited
 eg. for BREEAM



An optional aerator is available to improve flow rates at low pressure.
 Contact customer services for more information.



CP
 Chrome
 plate



PN
 Polished
 nickel



SSF
 Stainless steel
 finish



NL
 Non lacquered
 brass



BGM
 Brushed
 gold matt
 lacquered



MBC
 Matt black
 chrome



ABM
 Antique
 brass matt
 lacquered



CNB
 Country
 bronze



CTB
 City bronze

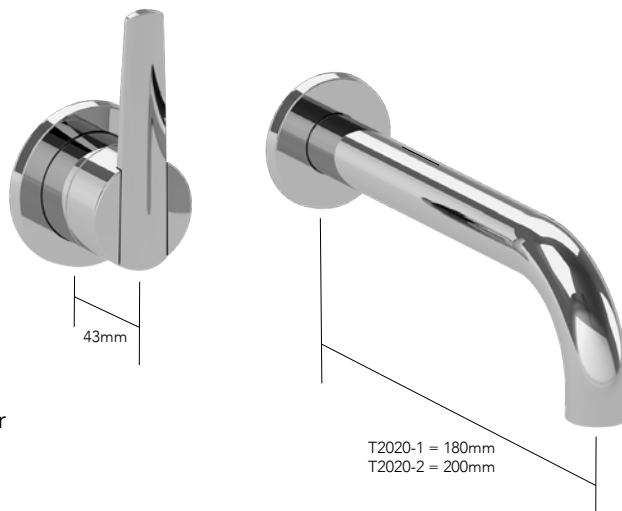


AG
 Antique
 gold

Speed forme Basin

T2020-1CTL 2 Hole wall mounted basin mixer, 180mm spout length

T2020-2CTL 2 Hole wall mounted basin mixer, 200mm spout length



Speed Lever

T2020-1 = 180mm
T2020-2 = 200mm

FITTING / APPROVALS

Installation fitting depth:
Min 63mm - Max 74mm



FINISH

	T2020-1CTL	T2020-2CTL
CP	€1,134	€1,188
PN	€1,248	€1,308
SSF/NL	€1,312	€1,372
BGM	€1,448	€1,512
MBC	€1,590	€1,664
ABM/CNB/CTB	€1,670	€1,748
AG	€2,022	€2,116

T2020-IS 2 Hole wall mounted filler rough

FITTING / APPROVALS

Feeds: 1/2"

Installation fitting depth:
Min 63mm - Max 74mm



FLOW RATES

0.5 bar 3.0 l/min
1.0 bar 4.2 l/min
3.0 bar 4.5 l/min

Flow can be limited
eg. for BREEAM

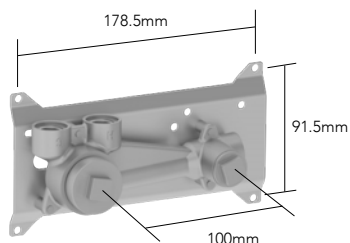


FINISH

XX

PRICE

€316



An optional aerator is available to improve flow rates at low pressure.
Contact customer services for more information.



CP
Chrome
plate



PN
Polished
nickel



SSF
Stainless steel
finish



NL
Non lacquered
brass



BGM
Brushed
gold matt
lacquered



MBC
Matt black
chrome



ABM
Antique
brass matt
lacquered



CNB
Country
bronze



CTB
City bronze



AG
Antique
gold

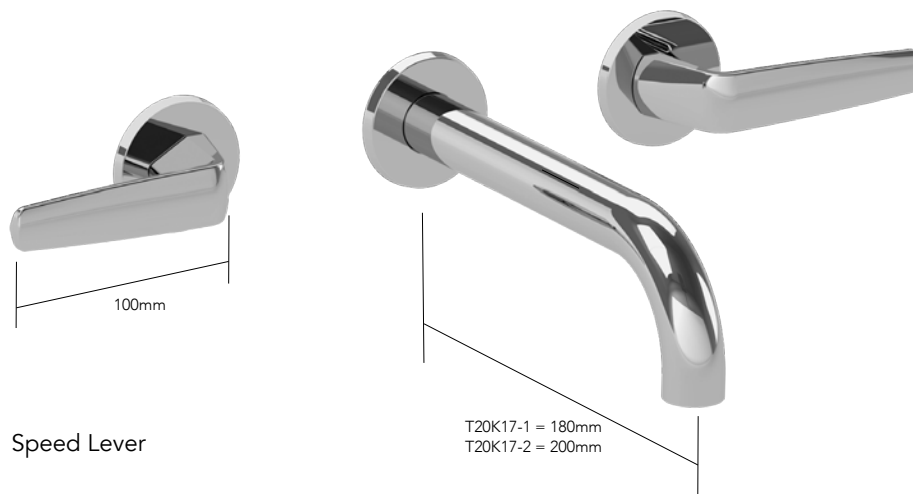
2 Hole wall mounted basin tap with Speed lever in brushed gold matt



Speed forme Basin

T20K17-1CTL 3 Hole wall mounted basin filler, 180mm spout length

T20K17-2CTL 3 Hole wall mounted basin filler, 200mm spout length



FITTING / APPROVALS

Installation fitting depth:
Min 75mm - Max 86mm

Drill holes Ø side valves:
Min 39mm - Max 41mm

Drill hole Ø spout:
Min 37mm - Max 42mm



FINISH

	T20K17-1CTL	T20K17-2CTL
CP	€1,176	€1,208
PN	€1,294	€1,330
SSF/NL	€1,360	€1,396
BGM	€1,500	€1,540
MBC	€1,650	€1,696
ABM/CNB/CTB	€1,734	€1,780
AG	€2,096	€2,154

V718-IS or V818-IS Roughs

FITTING / APPROVALS

Feeds: 3/4" female with adaptor for 1/2" female

Installation fitting depth:
Min 75mm - Max 86mm

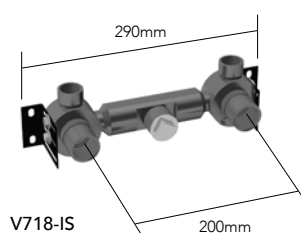
Drill holes Ø side valves:
Min 39mm - Max 41mm

Drill hole Ø spout:
Min 37mm - Max 42mm



FINISH

	V718-IS	V818-IS
XX	€400	€400



V818-IS

FLOW RATES

0.5 bar 1.8 l/min
1.0 bar 2.6 l/min
3.0 bar 4.0 l/min

Flow can be limited eg. for BREEAM



An optional aerator is available to improve flow rates at low pressure. Contact customer services for more information.



CP
Chrome plate



PN
Polished nickel



SSF
Stainless steel finish



NL
Non lacquered brass



BGM
Brushed gold matt lacquered



MBC
Matt black chrome



ABM
Antique brass matt lacquered



CNB
Country bronze



CTB
City bronze

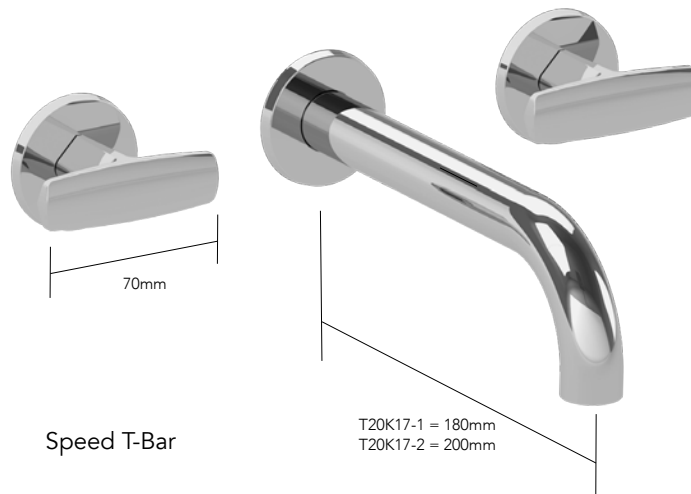


AG
Antique gold

Speed forme Basin

T20K17-1CBA 3 Hole wall mounted basin filler, 180mm spout length

T20K17-2CBA 3 Hole wall mounted basin filler, 200mm spout length



FITTING / APPROVALS

Installation fitting depth:
Min 75mm - Max 86mm

Drill holes Ø side valves:
Min 39mm - Max 41mm

Drill hole Ø spout:
Min 37mm - Max 42mm



FINISH

	T20K17-1CBA	T20K17-2CBA
CP	€1,176	€1,208
PN	€1,294	€1,330
SSF/NL	€1,360	€1,396
BGM	€1,500	€1,540
MBC	€1,650	€1,696
ABM/CNB/CTB	€1,734	€1,780
AG	€2,096	€2,154

V718-IS or V818-IS Roughs

FITTING / APPROVALS

Feeds: 3/4" female with adaptor for 1/2" female

Installation fitting depth:
Min 75mm - Max 86mm

Drill holes Ø side valves:
Min 39mm - Max 41mm

Drill hole Ø spout:
Min 37mm - Max 42mm

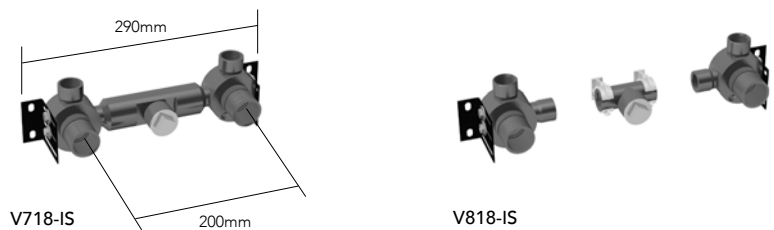


FINISH

XX

V718-IS V818-IS

€400 €400



FLOW RATES

0.5 bar 1.8 l/min
1.0 bar 2.6 l/min
3.0 bar 4.0 l/min

Flow can be limited
eg. for BREEAM



An optional aerator is available to improve flow rates at low pressure.
Contact customer services for more information.



CP
Chrome
plate



PN
Polished
nickel



SSF
Stainless steel
finish



NL
Non lacquered
brass



BGM
Brushed
gold matt
lacquered



MBC
Matt black
chrome



ABM
Antique
brass matt
lacquered



CNB
Country
bronze



CTB
City bronze

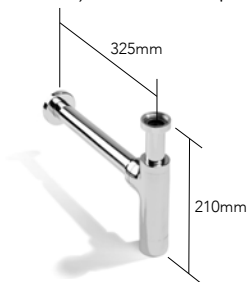


AG
Antique
gold

Speed forme Basin

V193 1 1/4" Basin bottle trap

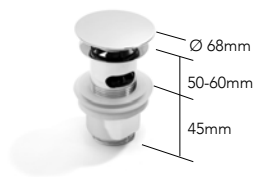
500mm Extension tube available, order V193-500 (tube only) - Prices TBA



FINISH	PRICE
CP	€276
PN	€306
SSF/NL	€318
BGM	€370
MBC	€358
ABM/CNB/CTB	€370
AG	€386

V192 1 1/4" Basin click-clack waste, slotted

For free-flow please order V192-FF



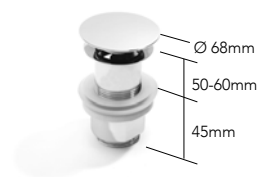
FINISH	PRICE
CP	€96
PN	€146
SSF/NL	€146
BGM	€156
MBC	€168
ABM/CNB/CTB	€168
AG	€166

VA60 1 1/4" Basin waste with metal plug, chain and stay



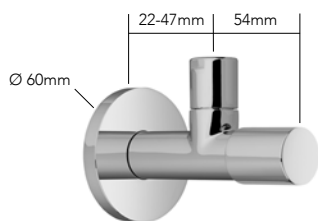
FINISH	PRICE
CP	€132
PN	€144
SSF/NL	€150
AG	€184

V192-UNS 1 1/4" Basin click-clack waste, unslotted



FINISH	PRICE
CP	€96
PN	€146
SSF/NL	€146
BGM	€156
MBC	€168
ABM/CNB/CTB	€168
AG	€166

V190 Angle valve



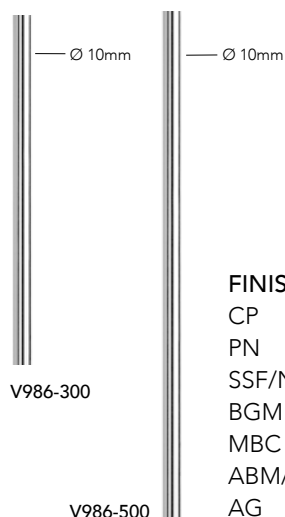
FITTING / APPROVALS

Thread: 1/2"
Outlet: 3/8" or 10mm



FINISH	PRICE
CP	€166
PN	€182
SSF/NL	€250
BGM	€286
MBC	€266
ABM/CNB/CTB	€286
AG	€300

V986-300 300mm Tube V986-500 500mm Tube

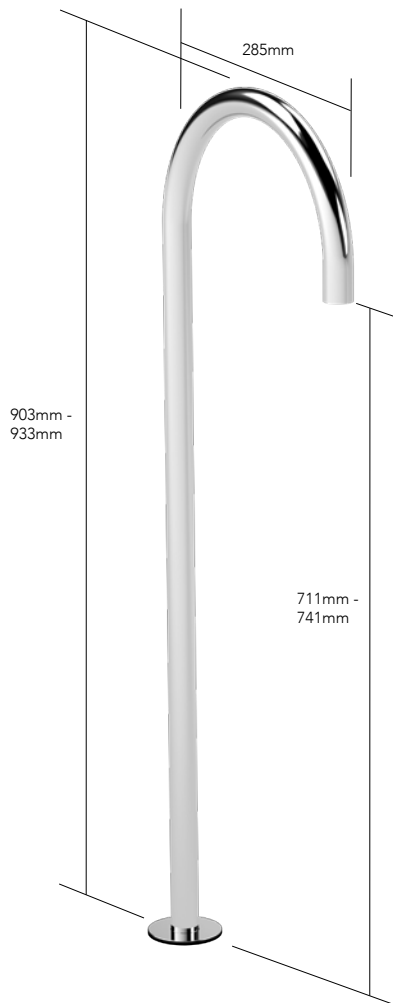


FINISH	V986-300	V986-500
CP	€92	€122
PN	€98	€132
SSF/NL	€102	€140
BGM	€110	€150
MBC	€114	€156
ABM/CNB/CTB	€120	€162
AG	€124	€172

Speed form Bath

V141-SP Free-standing bath spout

Requires V141-IS and separate flow controls eg T20K42, T2007 or T2001 if thermostatic control is preferred



FITTING / APPROVALS

Outlet Height:
Min 711mm - Max 741mm.
30mm outlet height adjustment
is achieved by modifying the
depth of the installation kit in
the floor

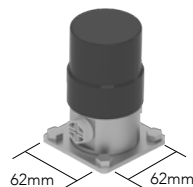
WRAS approval pending

FINISH

FINISH	PRICE
CP	€1,362
PN	€1,498
SSF/NL	€1,572
BGM	€2,426
MBC	€1,910
ABM/CNB/CTB	€2,004
AG	€2,426

V141-IS Installation system for free-standing bath spout

Requires V141-SP



FITTING / APPROVALS

Feeds: 1/2"
Installation fitting depth:
Min 80mm - Max 110mm

WRAS approval pending

FINISH

FINISH	PRICE
XX	€480



CP
Chrome
plate



PN
Polished
nickel



SSF
Stainless steel
finish



NL
Non lacquered
brass



BGM
Brushed
gold matt
lacquered



MBC
Matt black
chrome



ABM
Antique
brass matt
lacquered



CNB
Country
bronze



CTB
City bronze



AG
Antique
gold

Free standing bath spout and flow controls in city bronze



Speed forme Bath

T20K36-CTL Floor mounted single lever bath / shower mixer

Requires V736-IS

Speed Lever

FITTING / APPROVALS

FLOW RATES

Min 3.0 Bar
3.0 bar 23.2 l/min



WRAS approval pending

FINISH

FINISH	PRICE
CP	€5,926
PN	€6,520
SSF/NL	€7,102
BGM	€6,086
MBC	€7,706
ABM/CNB/CTB	€8,006
AG	€8,472



V736-IS Floor rough for single lever bath / shower mixer

Requires T20K36

FITTING / APPROVALS

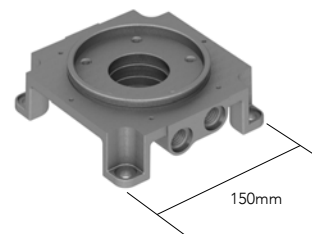
Feeds: 1/2" female with adaptor for 1/2" female

Installation fitting depth:
Min 99.5mm - Max 159mm



FINISH

FINISH	PRICE
XX	€1,480



CP
Chrome
plate

PN
Polished
nickel

SSF
Stainless steel
finish

NL
Non lacquered
brass

BGM
Brushed
gold matt
lacquered

MBC
Matt black
chrome

ABM
Antique
brass matt
lacquered

CNB
Country
bronze

CTB
City bronze

AG
Antique
gold

Speed forme Bath

T20K48-CTL 4 Hole bath filler, 180mm spout length



Speed Lever

FITTING / APPROVALS

Feeds: 3/4"
 Max deck thickness: 50mm
 Drill hole Ø side valve: Min 36mm - Max 41mm
 Drill hole Ø spout: Min 36mm - Max 41mm
 Drill hole Ø hand shower: Min 38mm - Max 41mm



FLOW RATES

1.0 bar 24.4 l/min
 3.0 bar 45.0 l/min

FINISH	PRICE
CP	€2,596
PN	€2,856
SSF/NL	€3,000
BGM	€3,310
MBC	€3,642
ABM/CNB/CTB	€3,822
AG	€4,628



CP
Chrome
plate



PN
Polished
nickel



SSF
Stainless steel
finish



NL
Non lacquered
brass



BGM
Brushed
gold matt
lacquered



MBC
Matt black
chrome



ABM
Antique
brass matt
lacquered



CNB
Country
bronze



CTB
City bronze



AG
Antique
gold

Speed forme Bath

T20K48-CBA 4 Hole bath filler, 180mm spout length



Speed T-Bar

FITTING / APPROVALS

Feeds: 3/4"

Max deck thickness: 50mm

Drill hole Ø side valve: Min 36mm - Max 41mm

Drill hole Ø spout: Min 36mm - Max 41mm

Drill hole Ø hand shower: Min 38mm - Max 41mm



FLOW RATES

1.0 bar 24.4 l/min

3.0 bar 45.0 l/min

FINISH

CP	€2,596
PN	€2,856
SSF/NL	€3,000
BGM	€3,310
MBC	€3,642
ABM/CNB/CTB	€3,822
AG	€4,628

PRICE



CP
Chrome
plate

PN
Polished
nickel

SSF
Stainless steel
finish

NL
Non lacquered
brass

BGM
Brushed
gold matt
lacquered

MBC
Matt black
chrome

ABM
Antique
brass matt
lacquered

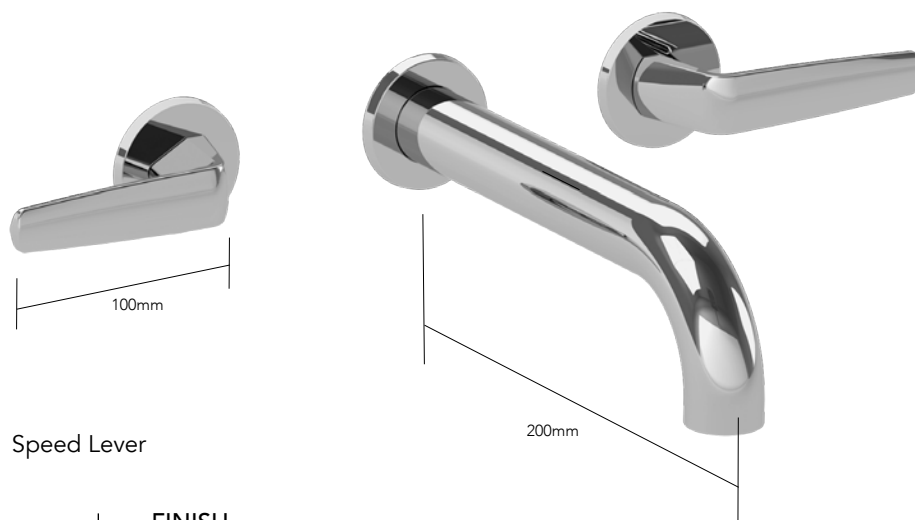
CNB
Country
bronze

CTB
City bronze

AG
Antique
gold

Speed forme Bath

T20K47-CTL 3 Hole wall mounted bath filler, 200mm spout length



FITTING / APPROVALS

Installation fitting depth:
Min 75mm - Max 86mm

Drill holes Ø side valves:
Min 39mm - Max 41mm

Drill holes Ø spout:
Min 37mm - Max 42mm



FINISH

CP	€1,462
PN	€1,610
SSF/NL	€1,690
BGM	€1,864
MBC	€2,050
ABM/CNB/CTB	€2,154
AG	€2,604

V718-IS or V818-IS Roughs

FITTING / APPROVALS

Feeds: 3/4" female with adaptor for 1/2" female

Installation fitting depth:
Min 75mm - Max 86mm

Drill holes Ø side valves:
Min 39mm - Max 41mm

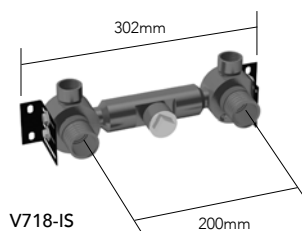
Drill holes Ø spout:
Min 37mm - Max 42mm



FINISH

XX V718-IS V818-IS

€400 €400



V718-IS



V818-IS

FLOW RATES

0.5 bar 25.2 l/min

1.0 bar 36.5 l/min

3.0 bar 67.3 l/min



CP
Chrome
plate



PN
Polished
nickel



SSF
Stainless steel
finish



NL
Non lacquered
brass



BGM
Brushed
gold matt
lacquered



MBC
Matt black
chrome



ABM
Antique
brass matt
lacquered



CNB
Country
bronze



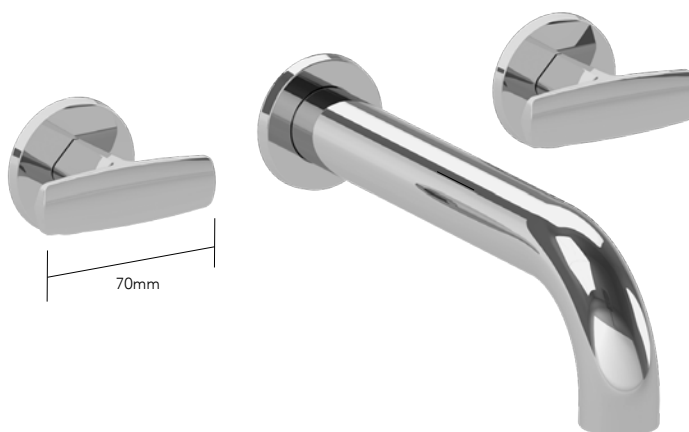
CTB
City bronze



AG
Antique
gold

Speed form Bath

T20K47-CBA 3 Hole wall mounted bath filler, 200mm spout length



Speed T-Bar

FITTING / APPROVALS

Installation fitting depth:
Min 75mm - Max 86mm

Drill holes Ø side valves:
Min 39mm - Max 41mm

Drill holes Ø spout:
Min 37mm - Max 42mm



FINISH

CP	€1,462
PN	€1,610
SSF/NL	€1,690
BGM	€1,864
MBC	€2,050
ABM/CNB/CTB	€2,154
AG	€2,604

V718-IS or V818-IS Roughs

FITTING / APPROVALS

Feeds: 3/4" female with adaptor for 1/2" female

Installation fitting depth:
Min 75mm - Max 86mm

Drill holes Ø side valves:
Min 39mm - Max 41mm

Drill holes Ø spout:
Min 37mm - Max 42mm

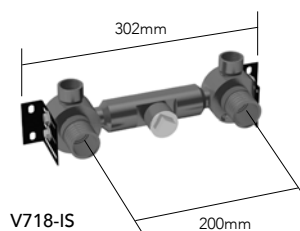


FINISH

XX

V718-IS V818-IS

€400 €400



V718-IS



V818-IS

FLOW RATES

0.5 bar 25.2 l/min

1.0 bar 36.5 l/min

3.0 bar 67.3 l/min



CP
Chrome plate



PN
Polished nickel



SSF
Stainless steel finish



NL
Non lacquered brass



BGM
Brushed gold matt lacquered



MBC
Matt black chrome



ABM
Antique brass matt lacquered



CNB
Country bronze



CTB
City bronze

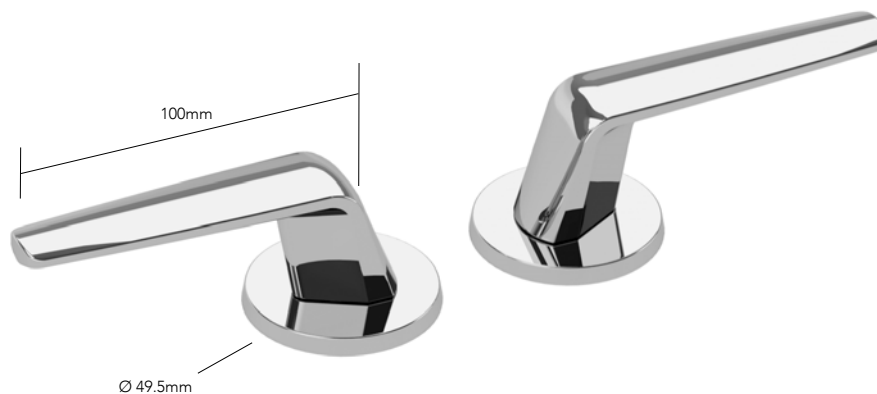


AG
Antique gold

Speed forme Bath

T20K42-CTL Deck mounted side valves (pair)

Requires V141-SP or V145



Speed Lever

FITTING / APPROVALS

Feeds: 3/4"

Max deck thickness: 50mm

Drill hole Ø: Min 36mm - Max 41mm

FLOW RATES

0.5 bar 22.0 l/min

1.0 bar 32.0 l/min

3.0 bar 57.4 l/min



FINISH

CP

PN

SSF/NL

BGM

MBC

ABM/CNB/CTB

AG

PRICE

€770

€848

€890

€1,864

€1,078

€1,132

€1,370

WRAS approval pending



CP
Chrome
plate



PN
Polished
nickel



SSF
Stainless steel
finish



NL
Non lacquered
brass



BGM
Brushed
gold matt
lacquered



MBC
Matt black
chrome



ABM
Antique
brass matt
lacquered



CNB
Country
bronze



CTB
City bronze

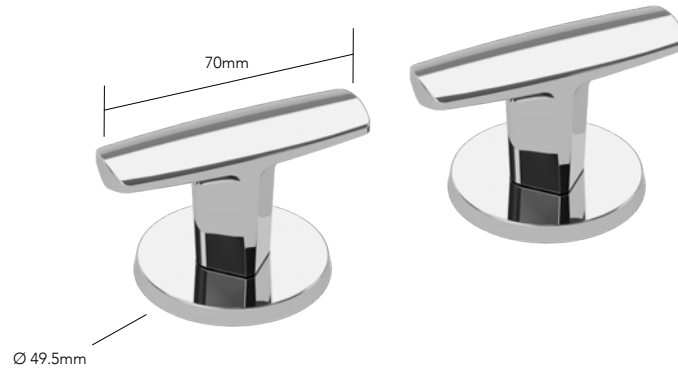


AG
Antique
gold

Speed forme Bath

T20K42-CBA Deck mounted side valves (pair)

Requires V141-SP or V145



Speed T-Bar

FITTING / APPROVALS

Feeds: 3/4"

Max deck thickness: 50mm

Drill hole Ø: Min 36mm - Max 41mm

FLOW RATES

0.5 bar 22.0 l/min

1.0 bar 32.0 l/min

3.0 bar 57.4 l/min



FINISH

CP	€770
PN	€848
SSF/NL	€890
BGM	€1,864
MBC	€1,078
ABM/CNB/CTB	€1,132
AG	€1,370

PRICE

WRAS approval pending



CP
Chrome
plate



PN
Polished
nickel



SSF
Stainless steel
finish



NL
Non lacquered
brass



BGM
Brushed
gold matt
lacquered



MBC
Matt black
chrome



ABM
Antique
brass matt
lacquered



CNB
Country
bronze



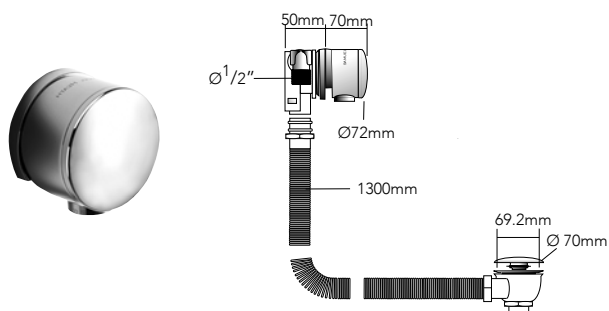
CTB
City bronze



AG
Antique
gold

Speed forme Bath

V145 Overflow filler (high pressure) with click waste



FITTING / APPROVALS

For baths up to 8mm thick.
For baths 8mm-30mm thick
please order extra V145-EXT

FLOW RATES

0.5 bar 13.0 l/min
1.0 bar 19.0 l/min
3.0 bar 35.0 l/min



FINISH

CP
PN
SSF/NL
BGM
MBC
ABM/CNB/CTB
AG

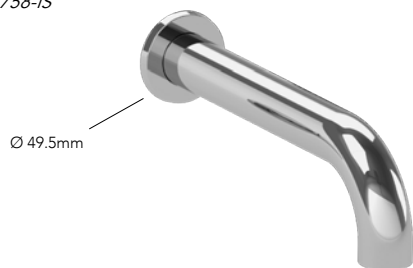
PRICE

€644
€704
€742
€870
€834
€872
€908

V145-EXT €122

T2046 Wall mounted bath spout, 200mm long

Requires V758-IS



FITTING / APPROVALS

Installation fitting depth:
Min 84mm - Max 98mm



FINISH

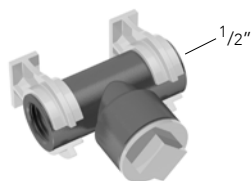
CP
PN
SSF/NL
BGM
MBC
ABM/CNB/CTB
AG

PRICE

€606
€666
€700
€772
€850
€892
€1,078

V758-IS Spout rough for T2046

Requires T2046



FITTING / APPROVALS

Feeds: 1/2"



FINISH

XX

PRICE

€166

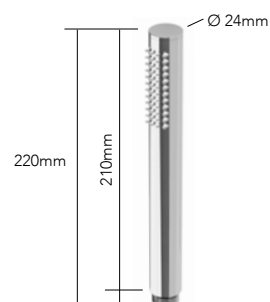
Speed forme Bath



T2080 Bath boss for hand shower



FITTING / APPROVALS	FINISH	PRICE
Min drill hole: 38mm Max drill hole: 41mm	CP	€226
	PN	€246
	SSF/NL	€260
	BGM	€286
	MBC	€316
	ABM/CNB/CTB	€330
	AG	€400

V182 Easy clean hand shower



FITTING / APPROVALS	FINISH	PRICE
Thread: 1/2"   For WRAS approved version order V182W.	CP	€204
	PN	€230
	SSF/NL	€240
	BGM	€276
	MBC	€266
	ABM/CNB/CTB	€276
	AG	€286

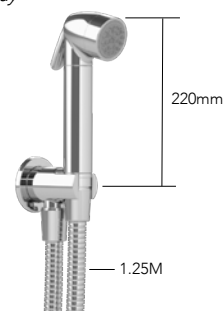
V783 Angle bracket




FITTING / APPROVALS	FINISH	PRICE
Feed: 1/2" 	CP	€156
	PN	€168
	SSF/NL	€184
	BGM	€192
	MBC	€204
	ABM/CNB/CTB	€218
	AG	€230

T2066-SPR Bidet spray

We recommend the use of a flow control with this bidet spray



FITTING / APPROVALS	FINISH	PRICE
Feed: 1/2"  WRAS approval pending	CP	€492
	PN	€540
	SSF/NL	€568
	BGM	€626
	MBC	€690
	ABM/CNB/CTB	€726
	AG	€876

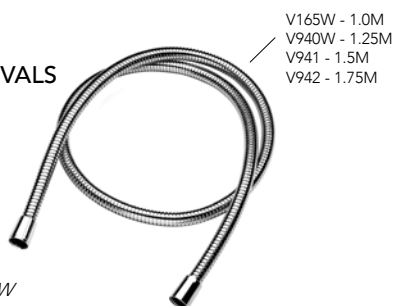
V165W, V940W, V941, V942 Hoses

FITTING / APPROVALS

Feed: 1/2"



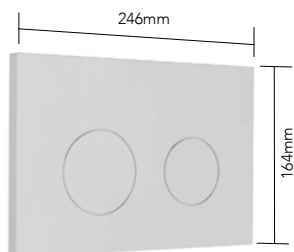
For WRAS approved versions order V165W, V940W, V941W or V942W



FINISH	V165W	V940W	V941	V942
CP	€92	€92	€98	€110
PN	€100	€100	€98	€120
SSF/NL	€104	€104	€134	€146
BGM	€114	€114	€168	€182
MBC	€116	€116	€146	€158
ABM	€120	€120	€266	€276
CNB/CTB	€120	€120	€266	€276
AG	€124	€124	€182	€192

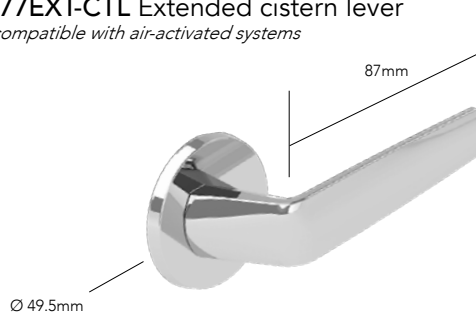
Speed forme Bath and WC

V171 WC Dual flush plate to suit Geberit Sigma concealed cistern



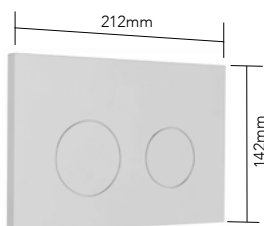
FINISH	PRICE
CP	€1,922
PN	€2,002
SSF/NL	€2,070
BGM	€2,112
MBC	€2,126
ABM/CNB/CTB	€2,138
AG	€2,274

T2077-CTL Cistern lever
T2077EXT-CTL Extended cistern lever
Not compatible with air-activated systems



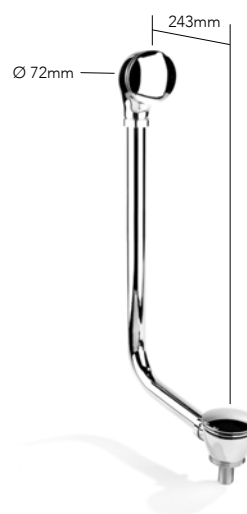
FINISH	T2077	T2077EXT
CP	€342	€448
PN	€374	€492
SSF/NL	€394	€516
BGM	€436	€570
MBC	€478	€626
ABM/CNB/CTB	€502	€658
AG	€608	€796

V172 WC Dual flush plate to suit Geberit Omega concealed cistern



FINISH	PRICE
CP	€1,922
PN	€2,002
SSF/NL	€2,070
BGM	€2,112
MBC	€2,126
ABM/CNB/CTB	€2,138
AG	€2,274

V197 Bath click-clack waste with overflow for freestanding baths



FITTING / APPROVALS

Feeds: 1¹/₂"

An extended version for baths with a central waste is available

FINISH		Extended version
CP	€400	€582
PN	€442	€642
SSF/NL	€460	€670
BGM	€592	€728
MBC	€562	€756
ABM/CNB/CTB	€562	€786
AG	€562	€816

Speed form Bath

V392 1 1/2" Bath click-clack waste, slotted
 V392-UNS 1 1/2" Bath click-clack waste, unslotted



V392

V392-UNS

FINISH	V392	V392-UNS
CP	€138	€138
PN	€146	€146
SSF/NL	€164	€164
BGM	€174	€174
MBC	€242	€242
ABM/CNB/CTB	€240	€240
AG	€192	€192

VA67 1 1/2" Auto pop-up waste, extended for large baths



FITTING / APPROVALS

Feeds: 1 1/2"

FINISH

FINISH	PRICE
CP	€322
PN	€352
SSF/NL	€368
BGM	€400
MBC	€412
ABM/CNB/CTB	€430
AG	€446

VA65 1 1/2" Combined bath waste and overflow with metal plug and chain



FINISH	PRICE
CP	€164
PN	€180
SSF/NL	€250
BGM	€250
MBC	€250
ABM/CNB/CTB	€278
AG	€228

FITTING / APPROVALS

Feeds: 1 1/2"

V195 Low P trap for freestanding bath



FITTING / APPROVALS

Feeds: 1 1/2"

FINISH

FINISH	PRICE
CP	€134
PN	€166
SSF/NL	€192
AG	€202

VA66 1 1/2" Auto pop-up waste



FINISH	PRICE
CP	€292
PN	€322
SSF/NL	€334
BGM	€366
MBC	€376
ABM/CNB/CTB	€394
AG	€408

FITTING / APPROVALS

Feeds: 1 1/2"

Speed forme Shower

T20B2CTL 1/2" Concealed thermostatic shower, 2 flow controls

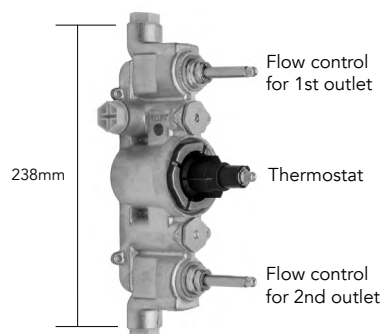
Requires V135-IS concealed valve



V135-IS Concealed thermostatic valve - rough

Requires T20B2

This valve has 2 controlled outlets which can operate simultaneously



Speed Lever

FITTING / APPROVALS

Feeds: 1/2"
Projection of valve: 43mm

FINISH

CP	€2,724
PN	€2,998
SSF/NL	€3,168
BGM	€3,624
MBC	€3,774
ABM/CNB/CTB	€4,134
AG	€4,712

PRICE

FITTING / APPROVALS

Feeds: 1/2"
Fitting depth: Min 120mm - Max 130mm from finished tiled surface to rear of fixing, when used with T20B2 trim.

FINISH

XX

PRICE

€952

Extension kits are available V135-EXT adding 25mm to fitting depth. If necessary more than one extension kit can be used.

Flow can be limited eg. for BREEAM



FLOW RATES

0.5 bar	11.8 l/min
1.0 bar	17.2 l/min
3.0 bar	32.0 l/min



CP
Chrome plate



PN
Polished nickel



SSF
Stainless steel finish



NL
Non lacquered brass



BGM
Brushed gold matt lacquered



MBC
Matt black chrome



ABM
Antique brass matt lacquered



CNB
Country bronze



CTB
City bronze



AG
Antique gold

Speed forme Shower

T20B2CBA 1/2" Concealed thermostatic shower, 2 flow controls

Requires V135-IS concealed valve

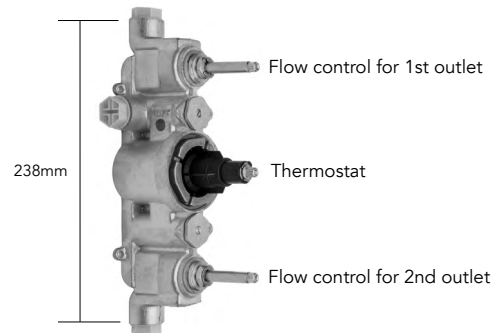


Speed T-Bar

V135-IS Concealed thermostatic valve - rough

Requires T20B2

This valve has 2 controlled outlets which can operate simultaneously



FITTING / APPROVALS

Feeds: 1/2"
Projection of valve: 43mm

FINISH

CP	€2,724
PN	€2,998
SSF/NL	€3,168
BGM	€3,624
MBC	€3,774
ABM/CNB/CTB	€4,134
AG	€4,712

PRICE

FITTING / APPROVALS

Feeds: 1/2"
Fitting depth: Min 120mm - Max 130mm from finished tiled surface to rear of fixing, when used with T20B2 trim.

Extension kits are available V135-EXT adding 25mm to fitting depth. If necessary more than one extension kit can be used.

Flow can be limited eg. for BREEAM



FINISH

XX

PRICE

€952

FLOW RATES

0.5 bar	11.8 l/min
1.0 bar	17.2 l/min
3.0 bar	32.0 l/min



CP
Chrome plate



PN
Polished nickel



SSF
Stainless steel finish



NL
Non lacquered brass



BGM
Brushed gold matt lacquered



MBC
Matt black chrome



ABM
Antique brass matt lacquered



CNB
Country bronze



CTB
City bronze



AG
Antique gold

Speed forme Shower

T20B1CTL 1/2" Concealed thermostatic shower,
2 flow controls

Requires V135-IS concealed valve

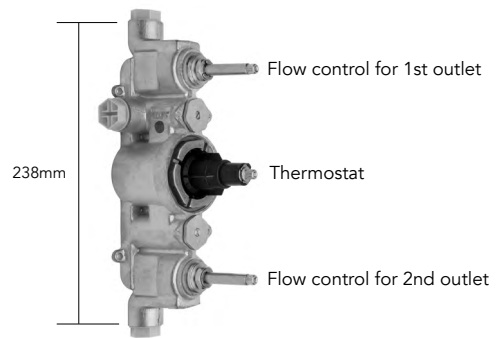


Speed Lever

V135-IS Concealed thermostatic valve - rough

Requires T20B1

This valve has 2 controlled outlets which can operate simultaneously



FITTING / APPROVALS	FINISH	PRICE
Feeds: 1/2"	CP	€3,666
Projection of valve: 43mm	PN	€4,030
	SSF/NL	€4,254
	BGM	€4,822
	MBC	€5,094
	ABM/CNB/CTB	€5,518
	AG	€6,384

FITTING / APPROVALS	FINISH	PRICE
Feeds: 1/2"	XX	€952

Fitting depth: Min 120mm - Max 130mm
from finished tiled surface to rear of fixing,
when used with T20B1 trim.

Extension kits are available V135-EXT
adding 25mm to fitting depth. If necessary
more than one extension kit can be used.

Flow can be limited
eg. for BREEAM



FLOW RATES

0.5 bar 11.8 l/min

1.0 bar 17.2 l/min

3.0 bar 32.0 l/min



CP
Chrome
plate



PN
Polished
nickel



SSF
Stainless steel
finish



NL
Non lacquered
brass



BGM
Brushed
gold matt
lacquered



MBC
Matt black
chrome



ABM
Antique
brass matt
lacquered



CNB
Country
bronze



CTB
City bronze



AG
Antique
gold

Speed form Shower

T20B1CBA 1/2" Concealed thermostatic shower,
2 flow controls

Requires V135-IS concealed valve

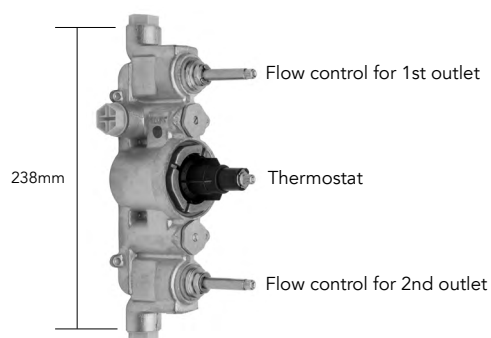


Speed T-Bar

V135-IS Concealed thermostatic valve - rough

Requires T20B1

This valve has 2 controlled outlets which can operate simultaneously



FITTING / APPROVALS	FINISH	PRICE
Feeds: 1/2"	CP	€3,666
Projection of valve: 43mm	PN	€4,030
	SSF/NL	€4,254
	BGM	€4,822
	MBC	€5,094
	ABM/CNB/CTB	€5,518
	AG	€6,384

FITTING / APPROVALS	FINISH	PRICE
Feeds: 1/2"	XX	€952
Fitting depth: Min 120mm - Max 130mm from finished tiled surface to rear of fixing, when used with T20B1 trim.		

Extension kits are available V135-EXT adding 25mm to fitting depth. If necessary more than one extension kit can be used.

Flow can be limited eg. for BREEAM



FLOW RATES
0.5 bar 11.8 l/min
1.0 bar 17.2 l/min
3.0 bar 32.0 l/min



CP
Chrome plate



PN
Polished nickel



SSF
Stainless steel finish



NL
Non lacquered brass



BGM
Brushed gold matt lacquered



MBC
Matt black chrome



ABM
Antique brass matt lacquered



CNB
Country bronze



CTB
City bronze

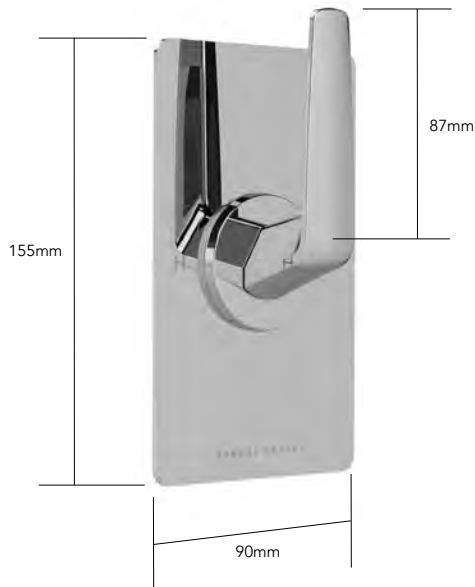


AG
Antique gold

Speed form Shower

T2000-TCTL Trim set for V133-IS thermostatic valve

Requires V133-IS concealed valve

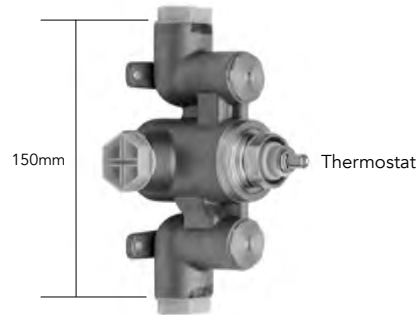


V133-IS Concealed thermostatic valve - rough

Requires T2000

This valve has 2 open outlets

Use T2007 for each



Speed Lever

FITTING / APPROVALS	FINISH	PRICE
Feeds: 1/2" Projection of valve: 43mm	CP	€668
	PN	€736
	SSF/NL	€772
	BGM	€852
	MBC	€938
	ABM/CNB/CTB	€984
	AG	€1,192

FITTING / APPROVALS	FINISH	PRICE
	XX	€552

Feeds: 1/2"
Fitting depth: Min 100mm - Max 111mm from finished tiled surface to rear of fixing, when used with T2000 trim.

Extension kits are available V133-EXT adding 25mm to fitting depth. If necessary more than one extension kit can be used.

Flow can be limited eg. for BREEAM



FLOW RATES

0.5 bar 11.6 l/min
1.0 bar 17.0 l/min
3.0 bar 31.5 l/min



CP
Chrome plate



PN
Polished nickel



SSF
Stainless steel finish



NL
Non lacquered brass



BGM
Brushed gold matt lacquered



MBC
Matt black chrome



ABM
Antique brass matt lacquered



CNB
Country bronze



CTB
City bronze

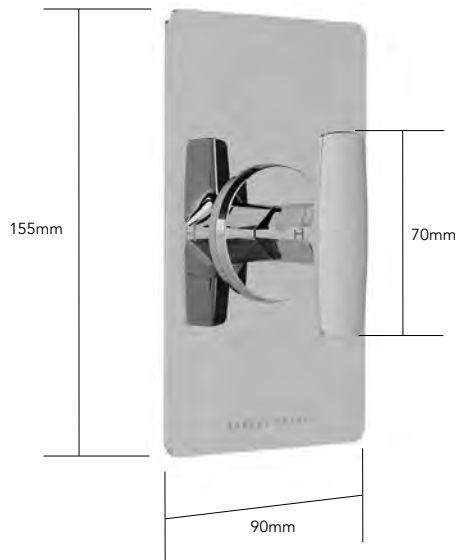


AG
Antique gold

Speed form Shower

T2000-TCBA Trim set for V133-IS thermostatic valve

Requires V133-IS concealed valve

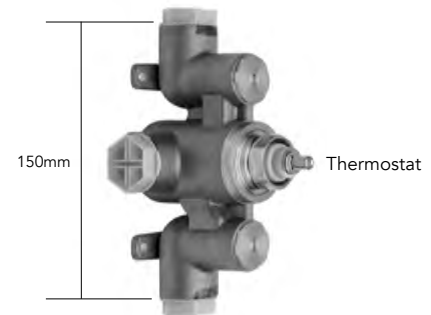


V133-IS Concealed thermostatic valve - rough

Requires T2000

This valve has 2 open outlets

Use T2007 for each



Speed T-Bar

FITTING / APPROVALS

Feeds: 1/2"
Projection of valve: 43mm

FINISH

CP	€668
PN	€736
SSF/NL	€772
BGM	€852
MBC	€938
ABM/CNB/CTB	€984
AG	€1,192

PRICE

FITTING / APPROVALS

Feeds: 1/2"
Fitting depth: Min 100mm - Max 111mm
from finished tiled surface to rear of fixing,
when used with T2000 trim.

Extension kits are available V133-EXT
adding 25mm to fitting depth. If necessary
more than one extension kit can be used.

Flow can be limited
eg. for BREEAM



FINISH

XX €552

FLOW RATES

0.5 bar	11.6 l/min
1.0 bar	17.0 l/min
3.0 bar	31.5 l/min



CP
Chrome
plate



PN
Polished
nickel



SSF
Stainless steel
finish



NL
Non lacquered
brass



BGM
Brushed gold matt
lacquered



MBC
Matt black
chrome



ABM
Antique brass matt
lacquered



CNB
Country
bronze



CTB
City bronze

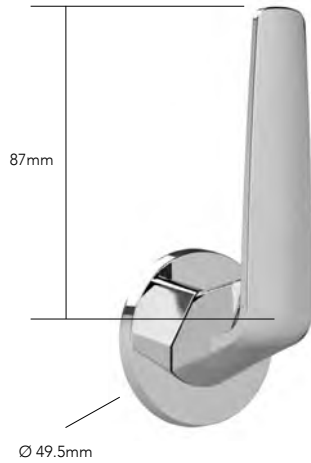


AG
Antique
gold

Speed forme Shower

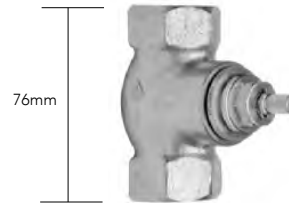
T2007-TCTL Trim set for V607-IS flow control

Requires V607-IS flow control



V607-IS Concealed flow control - rough

Requires T2007 Trim set



Speed Lever

FITTING / APPROVALS	FINISH	PRICE
Feeds: 1/2" Projection of valve: 43mm	CP	€470
	PN	€516
	SSF/NL	€540
	BGM	€598
	MBC	€656
	ABM/CNB/CTB	€690
	AG	€834

FITTING / APPROVALS	FINISH	PRICE
Feeds: 1/2" Fitting depth: Min 61mm - Max 72mm from finished tiled surface to centre, when used with T2007 trim.	XX	€160

Extension kits are available V607-EXT
adding 25mm to fitting depth. If necessary
more than one extension kit can be used.

Flow can be limited
eg. for BREEAM



FLOW RATES

0.5 bar	6.1 l/min
1.0 bar	22.2 l/min
3.0 bar	34.2 l/min

T2007-TCTL WRAS approval pending



CP
Chrome
plate



PN
Polished
nickel



SSF
Stainless steel
finish



NL
Non lacquered
brass



BGM
Brushed
gold matt
lacquered



MBC
Matt black
chrome



ABM
Antique
brass matt
lacquered



CNB
Country
bronze



CTB
City bronze



AG
Antique
gold

Speed forme Shower

T2007-TCBA Trim set for V607-IS flow control

Requires V607-IS flow control



V607-IS Concealed flow control - rough

Requires T2007 Trim set



Speed T-Bar

FITTING / APPROVALS	FINISH	PRICE
Feeds: 1/2" Projection of valve: 43mm	CP	€470
	PN	€516
	SSF/NL	€540
	BGM	€598
	MBC	€656
	ABM/CNB/CTB	€690
	AG	€834

FITTING / APPROVALS	FINISH	PRICE
Feeds: 1/2" Fitting depth: Min 61mm - Max 72mm from finished tiled surface to centre, when used with T2007 trim.	XX	€160

Extension kits are available V607-EXT adding 25mm to fitting depth. If necessary more than one extension kit can be used.

Flow can be limited eg. for BREEM



FLOW RATES

0.5 bar	6.1 l/min
1.0 bar	22.2 l/min
3.0 bar	34.2 l/min

T2007-TCBA WRAS approval pending



CP
Chrome plate



PN
Polished nickel



SSF
Stainless steel finish



NL
Non lacquered brass



BGM
Brushed gold matt lacquered



MBC
Matt black chrome



ABM
Antique brass matt lacquered



CNB
Country bronze



CTB
City bronze

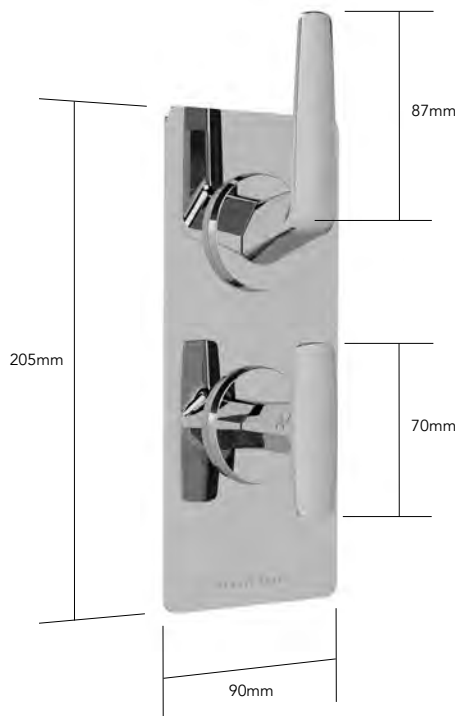


AG
Antique gold

Speed forme Shower

T2001-TCTL Trim set for V134-IS thermostatic valve

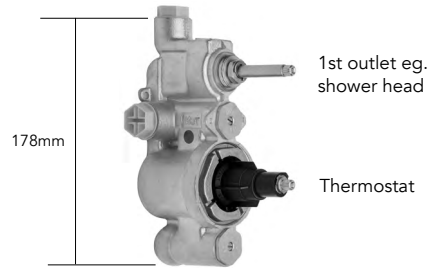
Requires V134-IS concealed valve



V134-IS Concealed thermostatic valve - rough

Requires T2001

This valve has 1 controlled outlet



Speed Lever

FITTING / APPROVALS

Feeds: 1/2"
Projection of valve:
43mm

FINISH

CP	€668
PN	€736
SSF/NL	€772
BGM	€852
MBC	€938
ABM/CNB/CTB	€984
AG	€1,192

PRICE

FITTING / APPROVALS

Feeds: 1/2"
Fitting depth: Min 120mm - Max 131mm
from finished tiled surface to rear of fixing,
when used with T2001 trim.

Extension kits are available V133-EXT
adding 25mm to fitting depth. If necessary
more than one extension kit can be used.

Flow can be limited
eg. for BREEAM



FINISH

XX

PRICE

€712

FLOW RATES

0.5 bar	10.2 l/min
1.0 bar	15.8 l/min
3.0 bar	29.6 l/min

T2001-TCTL WRAS approval pending



CP
Chrome
plate



PN
Polished
nickel



SSF
Stainless steel
finish



NL
Non lacquered
brass



BGM
Brushed gold matt
lacquered



MBC
Matt black
chrome



ABM
Antique brass matt
lacquered



CNB
Country
bronze



CTB
City bronze

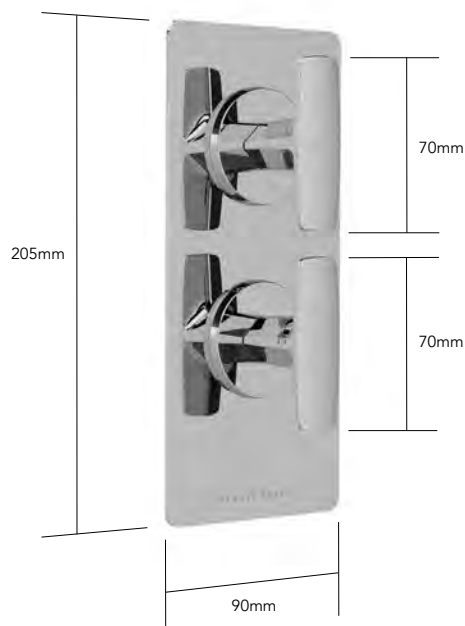


AG
Antique
gold

Speed forme Shower

T2001-TCBA Trim set for V134-IS thermostatic valve

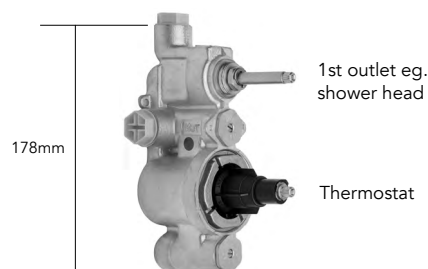
Requires V134-IS concealed valve



V134-IS Concealed thermostatic valve - rough

Requires T2001

This valve has 1 controlled outlet



Speed T-Bar

FITTING / APPROVALS

Feeds: 1/2"
Projection of valve: 43mm

FINISH

CP	€668
PN	€736
SSF/NL	€772
BGM	€852
MBC	€938
ABM/CNB/CTB	€984
AG	€1,192

PRICE

FITTING / APPROVALS

Feeds: 1/2"
Fitting depth: Min 120mm - Max 131mm
from finished tiled surface to rear of fixing,
when used with T2001 trim.

FINISH

XX

PRICE

€712

Extension kits are available V133-EXT
adding 25mm to fitting depth. If necessary
more than one extension kit can be used.

Flow can be limited
eg. for BREEAM



FLOW RATES

0.5 bar	10.2 l/min
1.0 bar	15.8 l/min
3.0 bar	29.6 l/min

T2001-TCBA WRAS approval pending



CP
Chrome
plate



PN
Polished
nickel



SSF
Stainless steel
finish



NL
Non lacquered
brass



BGM
Brushed gold matt
lacquered



MBC
Matt black
chrome



ABM
Antique
brass matt
lacquered



CNB
Country
bronze



CTB
City bronze

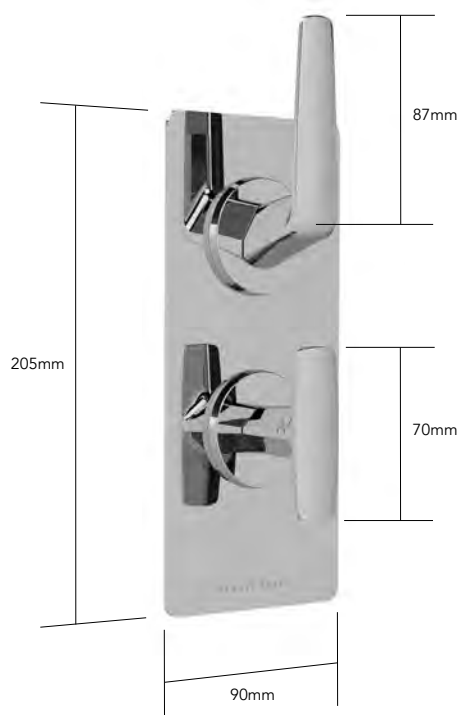


AG
Antique
gold

Speed forme Shower

T2011-TCTL Trim set for V111-IS thermostatic valve with 2-way diverter

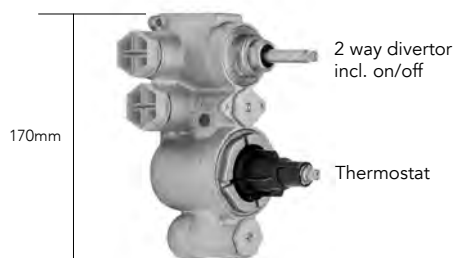
Requires V111-IS concealed valve



V111-IS Concealed thermostatic valve - rough

Requires T2011

This valve has a 2-way divertor



Speed Lever

FITTING / APPROVALS

Feeds: 1/2"
Projection of valve:
43mm

FINISH

CP	€996
PN	€1,096
SSF/NL	€1,150
BGM	€1,270
MBC	€1,398
ABM/CNB/CTB	€1,466
AG	€1,776

PRICE

FITTING / APPROVALS

Feeds: 1/2"
Fitting depth: Min 120mm - Max 131mm
from finished tiled surface to rear of fixing,
when used with T2011 trim.

Extension kits are available V111-EXT
adding 25mm to fitting depth. If necessary
more than one extension kit can be used.

Flow can be limited
eg. for BREEAM



FINISH

XX

PRICE

€788

FLOW RATES

0.5 bar	8.7 l/min
1.0 bar	13.0 l/min
3.0 bar	24.5 l/min

WRAS approval pending



CP
Chrome
plate



PN
Polished
nickel



SSF
Stainless steel
finish



NL
Non lacquered
brass



BGM
Brushed
gold matt
lacquered



MBC
Matt black
chrome



ABM
Antique
brass matt
lacquered



CNB
Country
bronze



CTB
City bronze

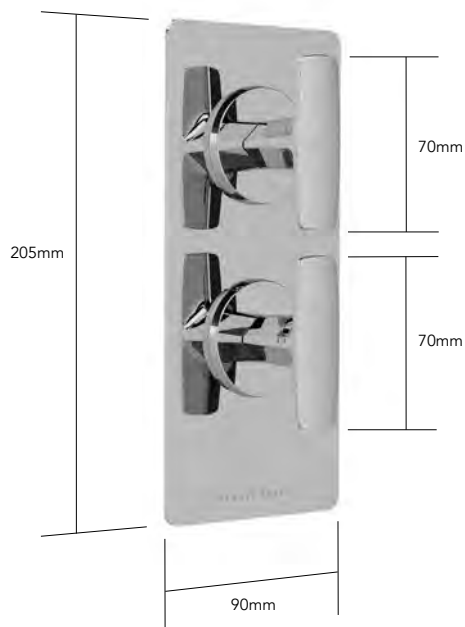


AG
Antique
gold

Speed form Shower

T2011-TCBA Trim set for V111-IS thermostatic valve with 2-way diverter

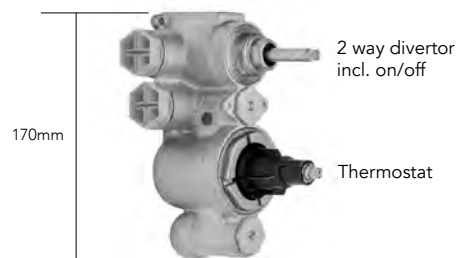
Requires V111-IS concealed valve



V111-IS Concealed thermostatic valve - rough

Requires 2011

This valve has a 2-way diverter



Speed T-Bar

FITTING / APPROVALS

Feeds: 1/2"
Projection of valve:
43mm

FINISH

CP	€996
PN	€1,096
SSF/NL	€1,150
BGM	€1,270
MBC	€1,398
ABM/CNB/CTB	€1,466
AG	€1,776

PRICE

FITTING / APPROVALS

Feeds: 1/2"
Fitting depth: Min 120mm - Max 131mm
from finished tiled surface to rear of fixing,
when used with T2011 trim.

Extension kits are available V111-EXT
adding 25mm to fitting depth. If necessary
more than one extension kit can be used.

Flow can be limited
eg. for BREEAM



FINISH

XX

PRICE

€788

FLOW RATES

0.5 bar	8.7 l/min
1.0 bar	13.0 l/min
3.0 bar	24.5 l/min

WRAS approval pending



CP
Chrome
plate



PN
Polished
nickel



SSF
Stainless steel
finish



NL
Non lacquered
brass



BGM
Brushed gold matt
lacquered



MBC
Matt black
chrome



ABM
Antique brass matt
lacquered



CNB
Country
bronze



CTB
City bronze



AG
Antique
gold

Speed forme Shower

T2002-TCTL Trim set for V135-IS thermostatic valve with 2 flow controls

Requires V135-IS concealed valve

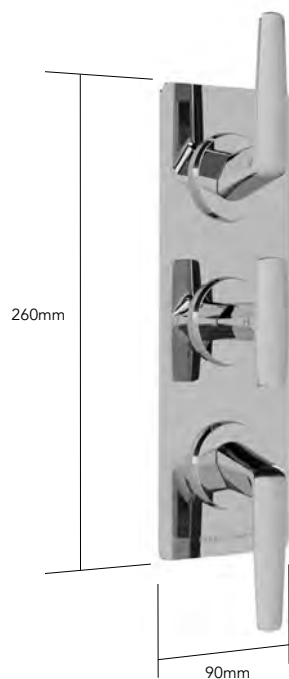
V135-IS Concealed thermostatic valve - rough

Requires T2002

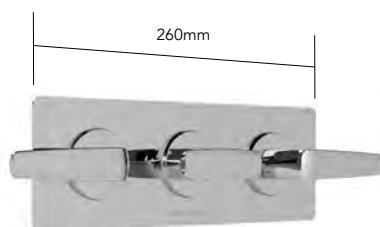
This valve has 2 controlled outlets which can operate simultaneously

T2005-TCTL Horizontal trim set for V135-IS thermostatic valve with 2 flow controls

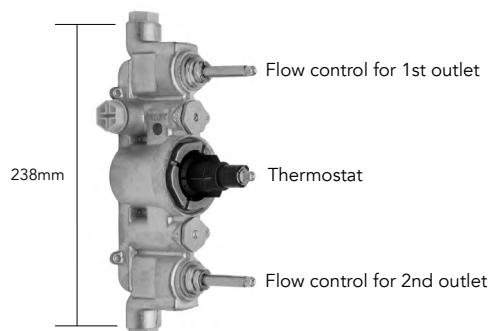
Requires V135-IS concealed valve



Speed Lever T2002-TCTL



Speed Lever T2005-TCTL



FITTING / APPROVALS

Feeds: 1/2"
Projection of valve:
43mm

FINISH

CP	€1,482
PN	€1,630
SSF/NL	€1,710
BGM	€1,888
MBC	€2,078
ABM/CNB/CTB	€2,180
AG	€2,638

PRICE

FITTING / APPROVALS

Feeds: 1/2"
Fitting depth: Min 120mm - Max 131mm
from finished tiled surface to rear of fixing,
when used with T2002 trim.

FINISH
XX

PRICE
€952

Extension kits are available V135-EXT
adding 25mm to fitting depth. If necessary
more than one extension kit can be used.

Flow can be limited
eg. for BREEAM



FLOW RATES

0.5 bar	11.8 l/min
1.0 bar	17.2 l/min
3.0 bar	32.0 l/min

T2002-TCTL and T2005-TCTL WRAS approval pending



CP
Chrome
plate



PN
Polished
nickel



SSF
Stainless steel
finish



NL
Non lacquered
brass



BGM
Brushed gold matt
lacquered



MBC
Matt black
chrome



ABM
Antique
brass matt
lacquered



CNB
Country
bronze



CTB
City bronze



AG
Antique
gold

Speed forme Shower

T2002-TCBA Trim set for V135-IS thermostatic valve with 2 flow controls

Requires V135-IS concealed valve

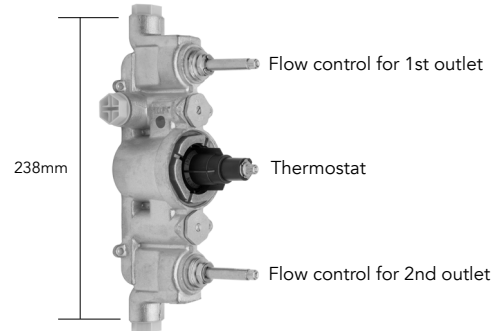
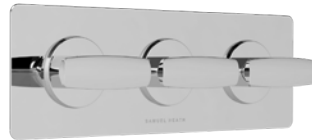
T2005-TCBA Horizontal trim set for V135-IS thermostatic valve with 2 flow controls

Requires V135-IS concealed valve

V135-IS Concealed thermostatic valve - rough

Requires T2002

This valve has 2 controlled outlets which can operate simultaneously



Speed T-Bar T2002-TCBA

Speed T-Bar T2005-TCBA

FITTING / APPROVALS

Feeds: 1/2"
Projection of valve:
43mm

FINISH

CP	€1,482
PN	€1,630
SSF/NL	€1,710
BGM	€1,888
MBC	€2,078
ABM/CNB/CTB	€2,180
AG	€2,638

PRICE

FITTING / APPROVALS

Feeds: 1/2"
Fitting depth: Min 120mm - Max 131mm
from finished tiled surface to rear of fixing,
when used with T2002 trim.

Extension kits are available V135-EXT
adding 25mm to fitting depth. If necessary
more than one extension kit can be used.

Flow can be limited
eg. for BREEAM



FINISH

XX

PRICE

€952

FLOW RATES

0.5 bar	11.8 l/min
1.0 bar	17.2 l/min
3.0 bar	32.0 l/min

T2002-TCBA and T2005-TCBA WRAS approval pending



CP
Chrome
plate



PN
Polished
nickel



SSF
Stainless steel
finish



NL
Non lacquered
brass



BGM
Brushed
gold matt
lacquered



MBC
Matt black
chrome



ABM
Antique
brass matt
lacquered



CNB
Country
bronze



CTB
City bronze

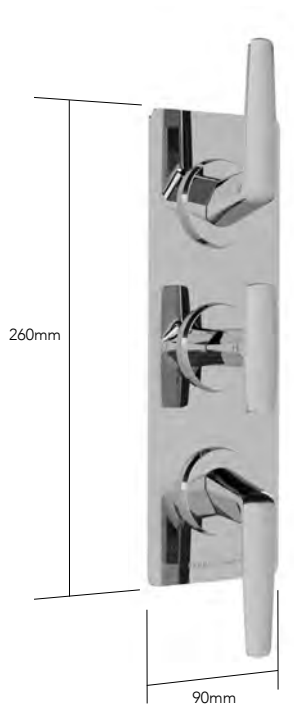


AG
Antique
gold

Speed forme Shower

T2003-TCTL Trim set for V132-IS thermostatic valve with 2-way divertor and flow control for 3rd outlet

Requires V132-IS concealed valve

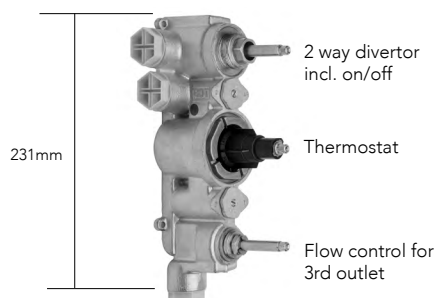


Speed Lever

V132-IS Concealed thermostatic valve - rough

Requires T2003

This valve has a two-way divertor plus an extra controlled outlet giving 3 options



FITTING / APPROVALS	FINISH	PRICE
Feeds: 1/2" Projection of valve: 43mm	CP	€1,482
	PN	€1,630
	SSF/NL	€1,710
	BGM	€1,888
	MBC	€2,078
	ABM/CNB/CTB	€2,180
	AG	€2,638

FITTING / APPROVALS	FINISH	PRICE
	XX	€1,048

Feeds: 1/2"
Fitting depth: Min 120.6mm - Max 131.6mm from finished tiled surface to rear of fixing, when used with T2003 trim.

Extension kits are available V132-EXT adding 25mm to fitting depth. If necessary more than one extension kit can be used.

Flow can be limited eg. for BREEAM



FLOW RATES

0.5 bar	15.0 l/min
1.0 bar	22.0 l/min
3.0 bar	40.5 l/min

WRAS approval pending



CP
Chrome plate



PN
Polished nickel



SSF
Stainless steel finish



NL
Non lacquered brass



BGM
Brushed gold matt lacquered



MBC
Matt black chrome



ABM
Antique brass matt lacquered



CNB
Country bronze



CTB
City bronze



AG
Antique gold

Speed forme Shower

T2003-TCBA Trim set for V132-IS thermostatic valve with 2-way diverter and flow control for 3rd outlet

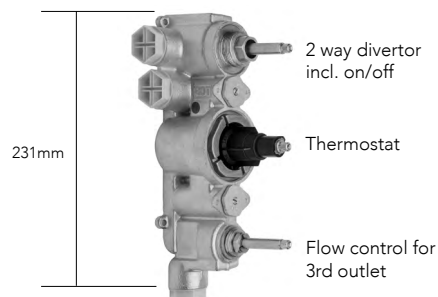
Requires V132-IS concealed valve



V132-IS Concealed thermostatic valve - rough

Requires T2003

This valve has a two-way diverter plus an extra controlled outlet giving 3 options



Speed T-Bar

FITTING / APPROVALS

Feeds: 1/2"
Projection of valve:
43mm

FINISH

CP	€1,482
PN	€1,630
SSF/NL	€1,710
BGM	€1,888
MBC	€2,078
ABM/CNB/CTB	€2,180
AG	€2,638

PRICE

FITTING / APPROVALS

Feeds: 1/2"
Fitting depth: Min 118mm - Max 129mm
from finished tiled surface to rear of fixing,
when used with T2003 trim.

FINISH

XX €1,048

Extension kits are available V132-EXT
adding 25mm to fitting depth. If necessary
more than one extension kit can be used.

FLOW RATES

Flow can be limited
eg. for BREEAM



0.5 bar	15.0 l/min
1.0 bar	22.0 l/min
3.0 bar	40.5 l/min

WRAS approval pending



CP
Chrome
plate



PN
Polished
nickel



SSF
Stainless steel
finish



NL
Non lacquered
brass



BGM
Brushed gold matt
lacquered



MBC
Matt black
chrome



ABM
Antique
brass matt
lacquered



CNB
Country
bronze



CTB
City bronze

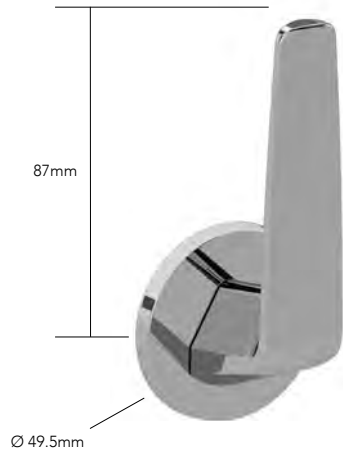


AG
Antique
gold

Speed forme Shower

T2068-CTL Trim set for V168-IS concealed 3-way diverter

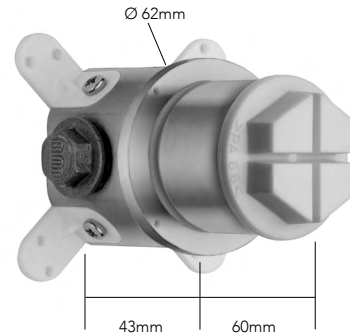
Requires V168-IS




V168-IS Concealed 3-way diverter - rough

Requires T2068

- One inlet, three outlets (one can be closed off)
- Can be used for deck mounting providing the unit is supported sufficiently



Speed Lever

FITTING / APPROVALS	FINISH	PRICE
Feeds: 1/2" Projection of valve: 41mm 	CP	€482
	PN	€530
	SSF/NL	€558
	BGM	€614
	MBC	€676
	ABM/CNB/CTB	€710
	AG	€858

FITTING / APPROVALS	FINISH	PRICE
Feeds: 1/2" Fitting depth: Min 121mm - Max 132mm from finished tiled surface to rear of fixing, when used with T2068 trim.	XX	€452

Extension kits are available V168-EXT adding 25mm to fitting depth. If necessary more than one extension kit can be used.

Flow can be limited eg. for BREEAM



FLOW RATES

0.1 bar	6.4 l/min
1.0 bar	20.4 l/min
3.0 bar	37.2 l/min



CP
Chrome
plate



PN
Polished
nickel



SSF
Stainless steel
finish



NL
Non lacquered
brass



BGM
Brushed
gold matt
lacquered



MBC
Matt black
chrome



ABM
Antique
brass matt
lacquered



CNB
Country
bronze



CTB
City bronze

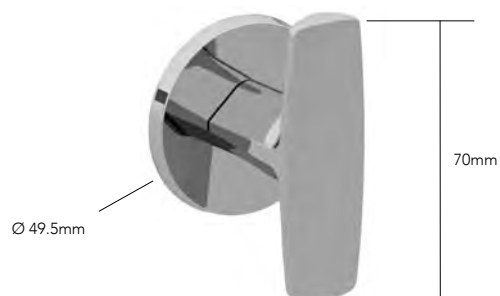


AG
Antique
gold

Speed forme Shower

T2068-CBA Trim set for V168-IS concealed 3-way diverter

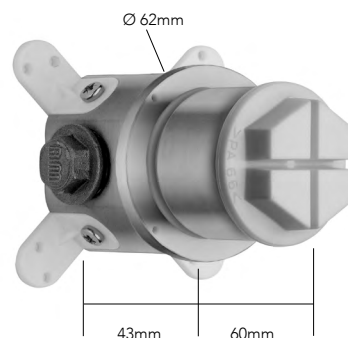
Requires V168-IS



V168-IS Concealed 3-way diverter - rough

Requires T2068

- One inlet, three outlets (one can be closed off)
- Can be used for deck mounting providing the unit is supported sufficiently



Speed T-Bar

FITTING / APPROVALS

Feeds: 1/2"

Projection of valve:
42mm



FINISH

CP	€482
PN	€530
SSF/NL	€558
BGM	€614
MBC	€676
ABM/CNB/CTB	€710
AG	€858

FITTING / APPROVALS

Feeds: 1/2"

Fitting depth: Min 121mm - Max 132mm
from finished tiled surface to rear of fixing,
when used with T2068 trim.

Extension kits are available V168-EXT
adding 25mm to fitting depth. If necessary
more than one extension kit can be used.

Flow can be limited
eg. for BREEAM



FINISH

XX	€452
----	------

FLOW RATES

0.1 bar	6.4 l/min
1.0 bar	20.4 l/min
3.0 bar	37.2 l/min



CP
Chrome
plate



PN
Polished
nickel



SSF
Stainless steel
finish



NL
Non lacquered
brass



BGM
Brushed
gold matt
lacquered



MBC
Matt black
chrome



ABM
Antique
brass matt
lacquered



CNB
Country
bronze



CTB
City bronze



AG
Antique
gold

Speed forme Shower

T2062 1/2" Overhead shower arm



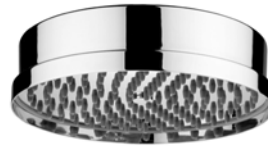
	FINISH	PRICE
FITTING / APPROVALS	CP	€474
	PN	€522
	SSF/NL	€546
	BGM	€604
	MBC	€664
	ABM/CNB/CTB	€696
	AG	€844

Feeds: 1/2"
Max installation depth: 90.5mm
Projection: 490.5mm



V663 200mm Easy clean shower head

For swivel ball joint order V987

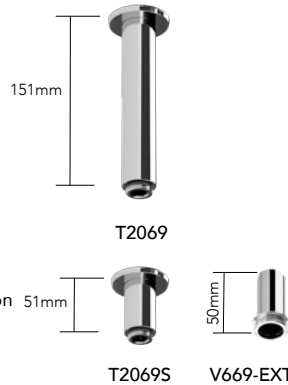


	FINISH	PRICE
FITTING / APPROVALS	CP	€562
	PN	€610
	SSF/NL	€634
	BGM	€694
	MBC	€718
	ABM/CNB/CTB	€754
	AG	€776

Thread: 1/2"



T2069, T2069S, V669-EXT 1/2" Ceiling tube for shower head



FITTING / APPROVALS

- V669-EXT extension piece can replace the 151mm tube to give a 50mm projection for fitting close to ceiling
- More than one V669-EXT extension piece can be used



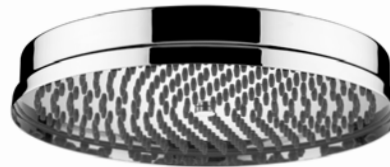
For WRAS approved versions order T2069W and T2069SW

	FINISH	T2069	T2069S	V669-EXT
FITTING / APPROVALS	CP	€238	€188	€98
	PN	€262	€206	€96
	SSF/NL	€274	€218	€110
	BGM	€304	€238	€122
	MBC	€332	€264	€122
	ABM	€350	€276	€120
	CNB/CTB	€350	€276	€120
	AG	€424	€332	€134

V665 300mm Easy clean shower head

For swivel ball joint order V987

Due to its weight this product is best used with a ceiling tube, or the wall mounted shower arms T2062, V262, V662, V762, and T162; the pipework and shower arms must be rigidly secured. If used with exposed pipework additional support brackets will be required



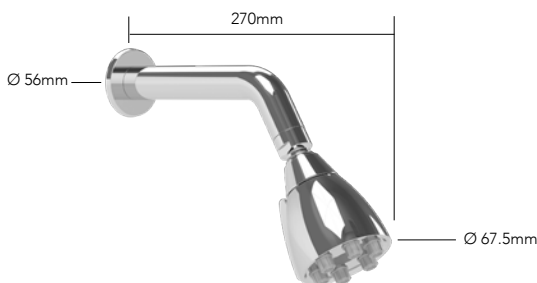
	FINISH	PRICE
FITTING / APPROVALS	CP	€1,028
	PN	€1,122
	SSF/NL	€1,184
	BGM	€1,276
	MBC	€1,338
	ABM/CNB/CTB	€1,382
	AG	€1,432

Thread: 1/2"



T2079-8 Adjustable, 8-jet easy clean shower head

T2079 Adjustable, 6-jet easy clean shower head



	FINISH	PRICE
FITTING / APPROVALS	CP	€644
	PN	€706
	SSF/NL	€740
	BGM	€802
	MBC	€836
	ABM/CNB/CTB	€860
	AG	€890

Thread: 1/2"



	FINISH	PRICE
FITTING / APPROVALS	CP	€692
	PN	€740
	SSF/NL	€764
	BGM	€836
	MBC	€870
	ABM/CNB/CTB	€898
	AG	€898

Thread: 1/2"



Speed form Shower

V178 200mm Easy clean shower head



FITTING / APPROVALS	FINISH	PRICE
Thread: 1/2"	CP	€324
	PN	€360
	SSF/NL	€370
	BGM	€502
	MBC	€418
	ABM/CNB/CTB	€502
	AG	€502



V378 200mm Square easy clean shower head



FITTING / APPROVALS	FINISH	PRICE
Thread: 1/2"	CP	€882
	PN	€966
	SSF/NL	€1,018



V188 200mm Easy clean shower head



FITTING / APPROVALS	FINISH	PRICE
Thread: 1/2"	CP	€656
	PN	€714
	SSF/NL	€752



For WRAS approved version order V188W

V379 300mm Square easy clean shower head

Due to its weight this product is best used with a ceiling tube

If used with exposed pipework additional support brackets will be required



FITTING / APPROVALS	FINISH	PRICE
Thread: 1/2"	CP	€1,194
	PN	€1,300
	SSF/NL	€1,360



V189 300mm Easy clean shower head

Due to its weight this product is best used with a ceiling tube

If used with exposed pipework additional support brackets will be required



FITTING / APPROVALS	FINISH	PRICE
Thread: 1/2"	CP	€956
	PN	€1,048
	SSF/NL	€1,100



For WRAS approved version order V189W

V987 Swivel ball joint

For use with V663 and V665 shower heads



FITTING / APPROVALS	FINISH	PRICE
Thread: 1/2"	CP	€98
	PN	€106
	SSF/NL	€108
	BGM	€120
	MBC	€126
	ABM/CNB/CTB	€140
	AG	€136



Speed forme Shower

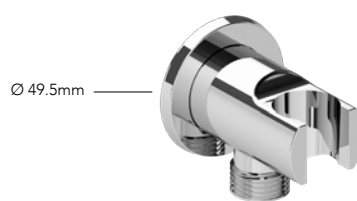
T2064 Wall outlet



FITTING / APPROVALS	FINISH	PRICE
Feed: 1/2"	CP	€138
	PN	€150
	SSF/NL	€158
	BGM	€176
	MBC	€192
	ABM/CNB/CTB	€200
	AG	€242



T2066 Combined wall outlet / bracket



FITTING / APPROVALS	FINISH	PRICE
Feed: 1/2"	CP	€148
	PN	€162
	SSF/NL	€172
	BGM	€188
	MBC	€206
	ABM/CNB/CTB	€218
	AG	€264



V783 Angle bracket



FITTING / APPROVALS	FINISH	PRICE
Feed: 1/2"	CP	€156
	PN	€168
	SSF/NL	€184
	BGM	€192
	MBC	€204
	ABM/CNB/CTB	€218
	AG	€230

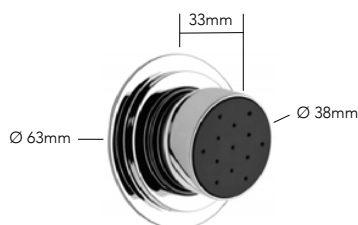


T2080 Bath boss for hand shower



FITTING / APPROVALS	FINISH	PRICE
Min drill hole: 38mm Max drill hole: 41mm	CP	€226
	PN	€246
	SSF/NL	€260
	BGM	€286
	MBC	€316
	ABM/CNB/CTB	€330
	AG	€400

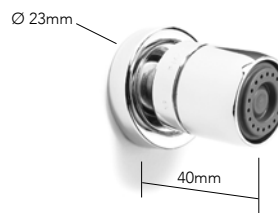
V276 Body jet (high flow)



FITTING / APPROVALS	FINISH	PRICE
Feed: 1/2"	CP	€362
	PN	€416
	SSF/NL	€416
	BGM	€452
	MBC	€472
	ABM/CNB/CTB	€520
	AG	€508

FLOW RATES
0.5 bar 6.5 l/min
1.0 bar 9.3 l/min
3.0 bar 14.5 l/min

V176 Body jet



FITTING / APPROVALS	FINISH	PRICE
Feed: 1/2"	CP	€166
	PN	€182
	SSF/NL	€194
	BGM	€216
	MBC	€216
	ABM/CNB/CTB	€266
	AG	€276

Speed form Shower

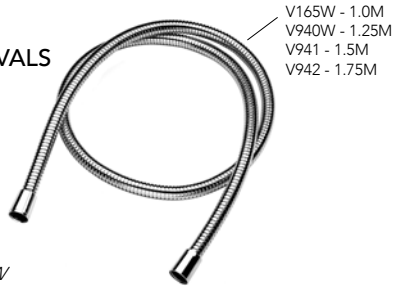
V165W, V940W, V941, V942 Hoses

FITTING / APPROVALS

Feed: 1/2"

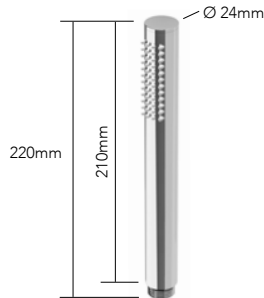


For WRAS approved versions order V165W, V940W, V941W or V942W



FINISH	V165W	V940W	V941	V942
CP	€92	€92	€98	€110
PN	€100	€100	€98	€120
SSF/NL	€104	€104	€134	€146
BGM	€114	€114	€168	€182
MBC	€116	€116	€146	€158
ABM	€120	€120	€266	€276
CNB/CTB	€120	€120	€266	€276
AG	€124	€124	€182	€192

V182 Easy clean hand shower



FITTING / APPROVALS

Thread: 1/2"

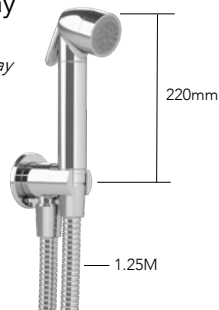


For WRAS approved version order V182W.

FINISH	PRICE
CP	€204
PN	€230
SSF/NL	€240
BGM	€276
MBC	€266
ABM/CNB/CTB	€276
AG	€286

T2066-SPR Bidet spray

We recommend the use of a flow control with this bidet spray



FITTING / APPROVALS

Feed: 1/2"



WRAS approval pending

FINISH	PRICE
CP	€492
PN	€540
SSF/NL	€568
BGM	€626
MBC	€690
ABM/CNB/CTB	€726
AG	€876

T2070-KIT Slider rail kit

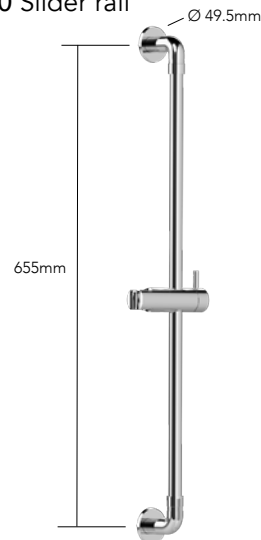


FITTING / APPROVALS

Feed: 1/2"

FINISH	PRICE
CP	€1,198
PN	€1,318
SSF/NL	€1,382
BGM	€1,528
MBC	€1,680
ABM/CNB/CTB	€1,762
AG	€2,134

T2070 Slider rail



FITTING / APPROVALS

FINISH	PRICE
CP	€820
PN	€902
SSF/NL	€946
BGM	€1,044
MBC	€1,150
ABM/CNB/CTB	€1,206
AG	€1,460

Concealed thermostatic shower with Classic cross tops in polished nickel



Classic forme

Classic Forme brassware offers timeless style in motion, inspired by the iconic shapes of Art Deco.

This extensive range of brassware for the basin, bath, shower or bidet presents a variety of elegantly slim, smooth spout varieties for deck or wall-mounted specifications. Cross top and lever control options in sharp, geometric shapes contrast as design features, yet their gently curved profiles flow effortlessly within a wider scheme.

Classic forme

BASIN and BIDET



T2010



T2019

WRAS approval pending.



T20K14

WRAS approval pending.



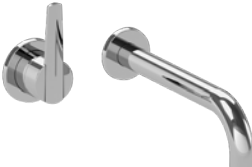
T20K15



T20K16



T2020-1



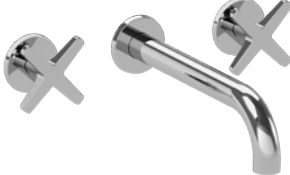
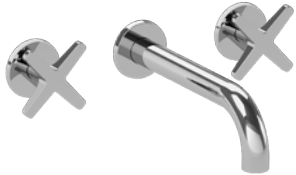
T2020-2



T20K17-1



T20K17-2



Classic forme

BATH



V141-SP
WRAS approval pending.



T2042
WRAS approval pending.



T2007
WRAS approval pending.



T20K36
WRAS approval pending.



T20K48



Classic forme

BATH



T20K47



WC



V145



T2077



V171
V172



All Forme taps, showers and ancillaries have been submitted for WRAS approval.

Classic forme

SHOWER



T2000



T2007
WRAS approval pending.
Rough only



T2068

Rough only



T2001
WRAS approval pending.
Rough only



T2002
WRAS approval pending.
Rough only



T2011



T2003



T2005
WRAS approval pending.
Rough only



T20B1

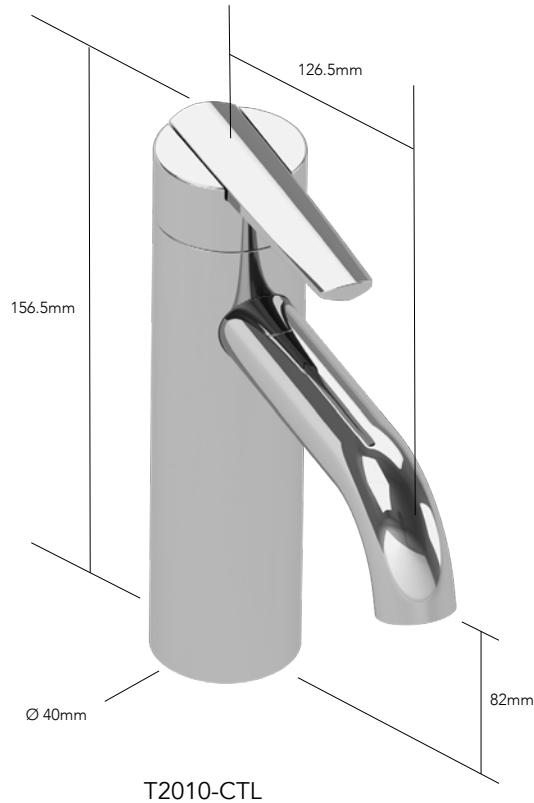


T20B2

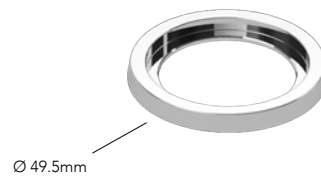
Classic forme Basin

T2010-CTL Single lever basin mixer without pop-up waste

T2010-B Optional escutcheon for tap hole diameters 30mm - 40mm



T2010-CTL



T2010-B

FITTING / APPROVALS

Feeds: 1/2"

Max deck thickness: 40mm

Drill hole Ø without additional escutcheon: 30mm - 34mm

For drill holes 30mm - 40mm order T2010-B

FINISH

CP	€1,024
PN	€1,126
SSF/NL	€1,184
BGM	€1,308
MBC	€1,438
ABM/CNB/CTB	€1,508
AG	€1,826

T2010-CTL

T2010-B



FLOW RATES

Flow can be limited eg. for BREEAM

0.5 bar 1.7 l/min

1.0 bar 2.5 l/min

3.0 bar 4.0 l/min



An optional aerator is available to improve flow rates at low pressure. Contact customer services for more information.



CP
Chrome
plate



PN
Polished
nickel



SSF
Stainless steel
finish



NL
Non lacquered
brass



BGM
Brushed
gold matt
lacquered



MBC
Matt black
chrome



ABM
Antique
brass matt
lacquered



CNB
Country
bronze



CTB
City bronze

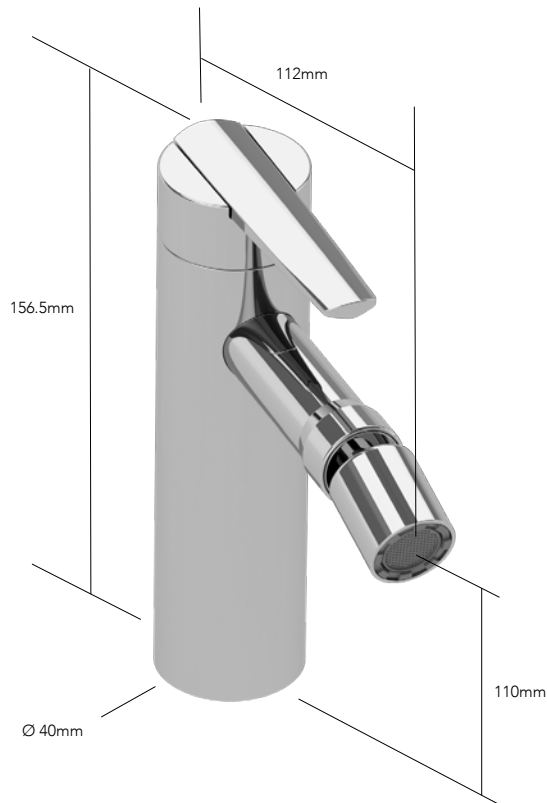


AG
Antique
gold

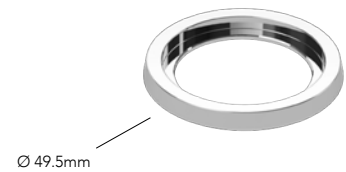
Classic forme Basin

T2019-CTL Single lever bidet mixer without pop-up waste

T2010-B Optional escutcheon for tap hole diameters 30mm - 40mm



T2019-CTL



T2010-B

FITTING / APPROVALS

Feeds: 1/2"

Max deck thickness: 40mm

Drill hole Ø without additional escutcheon: 30mm - 34mm

For drill holes 30mm - 40mm order T2010-B

FINISH

CP
PN
SSF/NL
BGM
MBC
ABM/CNB/CTB
AG

T2019-CTL

€1,072
€1,180
€1,238
€1,366
€1,502
€1,578
€1,910

T2010-B

€76
€84
€90
€98
€106
€112
€136

WRAS approval pending

FLOW RATES

Flow can be limited eg. for BREEAM

0.5 bar 4.2 l/min

1.0 bar 6.2 l/min

3.0 bar 11.8 l/min



CP
Chrome
plate



PN
Polished
nickel



SSF
Stainless steel
finish



NL
Non lacquered
brass



BGM
Brushed
gold matt
lacquered



MBC
Matt black
chrome



ABM
Antique
brass matt
lacquered



CNB
Country
bronze



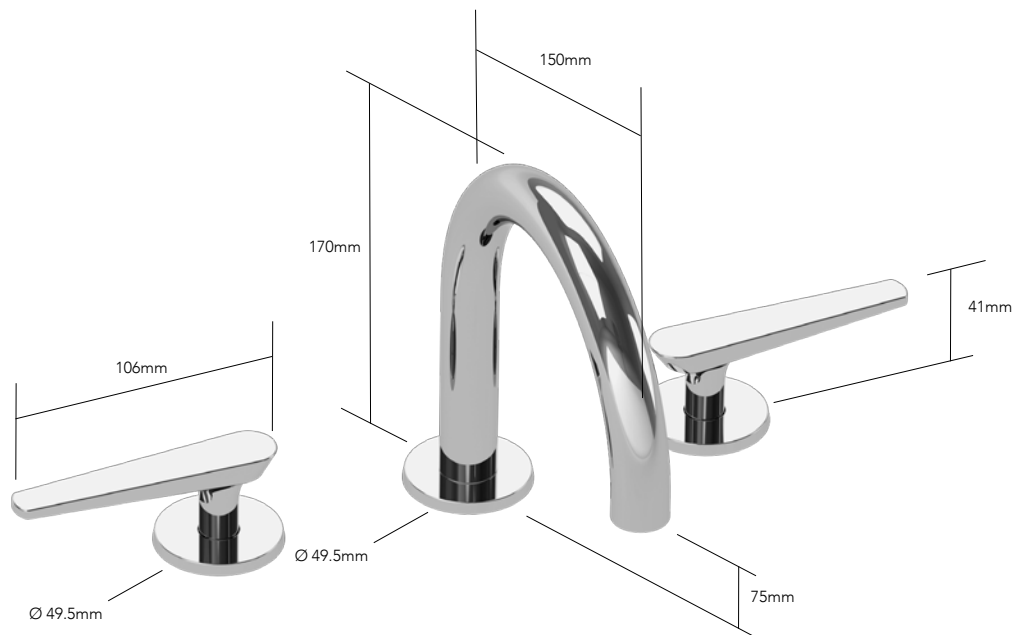
CTB
City bronze



AG
Antique
gold

Classic forme Basin

T20K14-COL 3 Hole basin filler without pop-up waste, 170mm spout height



Classic Lever

FITTING / APPROVALS

Feeds: 1/2"
 Max deck thickness: 40mm
 Max drill hole Ø side valve: 33mm
 Max drill hole Ø spout: 41mm

WRAS approval pending

FINISH

CP	€1,172
PN	€1,290
SSF/NL	€1,354
BGM	€1,496
MBC	€1,646
ABM/CNB/CTB	€1,728
AG	€2,088

PRICE

FLOW RATES

0.5 bar 1.8 l/min
 1.0 bar 2.6 l/min
 3.0 bar 4.0 l/min

Flow can be limited
 eg. for BREEAM



An optional aerator is available to improve flow rates at low pressure.
 Contact customer services for more information.



CP
 Chrome
 plate



PN
 Polished
 nickel



SSF
 Stainless steel
 finish



NL
 Non lacquered
 brass



BGM
 Brushed
 gold matt
 lacquered



MBC
 Matt black
 chrome



ABM
 Antique
 brass matt
 lacquered



CNB
 Country
 bronze



CTB
 City bronze



AG
 Antique
 gold

Classic forme Basin

T20K14-COX 3 Hole basin filler without pop-up waste, 170mm spout height



Classic Cross Top

FITTING / APPROVALS

Feeds: 1/2"
 Max deck thickness: 40mm
 Max drill hole Ø side valve: 33mm
 Max drill hole Ø spout: 41mm

WRAS approval pending

FINISH

CP	€1,172
PN	€1,290
SSF/NL	€1,354
BGM	€1,496
MBC	€1,646
ABM/CNB/CTB	€1,728
AG	€2,088

PRICE

FLOW RATES

0.5 bar 1.8 l/min
 1.0 bar 2.6 l/min
 3.0 bar 4.0 l/min

Flow can be limited
 eg. for BREEAM



An optional aerator is available to improve flow rates at low pressure.
 Contact customer services for more information.



CP
 Chrome
 plate



PN
 Polished
 nickel



SSF
 Stainless steel
 finish



NL
 Non lacquered
 brass



BGM
 Brushed
 gold matt
 lacquered



MBC
 Matt black
 chrome



ABM
 Antique
 brass matt
 lacquered



CNB
 Country
 bronze



CTB
 City bronze



AG
 Antique
 gold

Classic forme Basin

T20K15-COL 3 Hole basin filler without pop-up waste, 230mm spout height



Classic Lever

FITTING / APPROVALS

Feeds: 1/2"
 Max deck thickness: 40mm
 Max drill hole Ø side valve: 33mm
 Max drill hole Ø spout: 41mm



FINISH

CP	€1,210
PN	€1,332
SSF/NL	€1,398
BGM	€1,542
MBC	€1,698
ABM/CNB/CTB	€1,782
AG	€2,156

PRICE

FLOW RATES

0.5 bar 1.8 l/min
 1.0 bar 2.6 l/min
 3.0 bar 4.0 l/min

Flow can be limited
 eg. for BREEAM



An optional aerator is available to improve flow rates at low pressure.
 Contact customer services for more information.



CP
 Chrome
 plate

PN
 Polished
 nickel

SSF
 Stainless steel
 finish

NL
 Non lacquered
 brass

BGM
 Brushed
 gold matt
 lacquered

MBC
 Matt black
 chrome

ABM
 Antique
 brass matt
 lacquered

CNB
 Country
 bronze

CTB
 City bronze

AG
 Antique
 gold

Classic forme Basin

T20K15-COX 3 Hole basin filler without pop-up waste, 230mm spout height



Classic Cross Top

FITTING / APPROVALS

Feeds: 1/2"
 Max deck thickness: 40mm
 Max drill hole Ø side valve: 33mm
 Max drill hole Ø spout: 41mm



FINISH

CP	€1,210
PN	€1,332
SSF/NL	€1,398
BGM	€1,542
MBC	€1,698
ABM/CNB/CTB	€1,782
AG	€2,156

PRICE

FLOW RATES

0.5 bar 1.8 l/min
 1.0 bar 2.6 l/min
 3.0 bar 4.0 l/min

Flow can be limited
 eg. for BREEAM



An optional aerator is available to improve flow rates at low pressure.
 Contact customer services for more information.



CP
 Chrome
 plate



PN
 Polished
 nickel



SSF
 Stainless steel
 finish



NL
 Non lacquered
 brass



BGM
 Brushed
 gold matt
 lacquered



MBC
 Matt black
 chrome



ABM
 Antique
 brass matt
 lacquered



CNB
 Country
 bronze



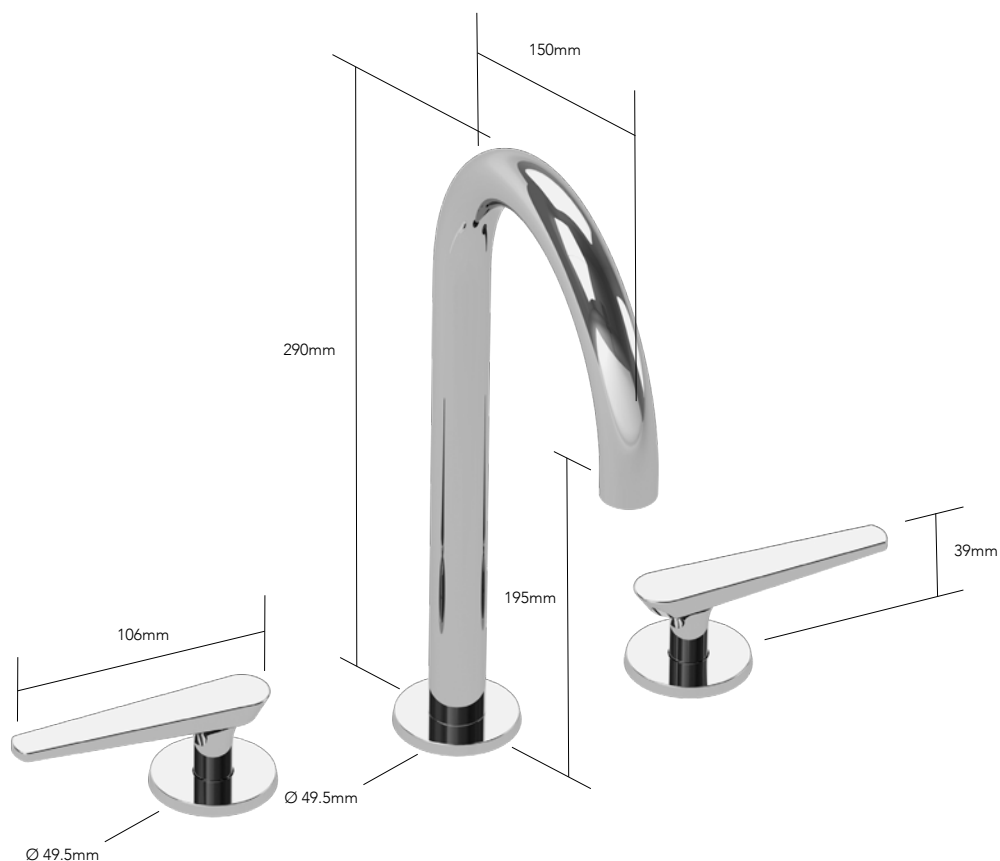
CTB
 City bronze



AG
 Antique
 gold

Classic forme Basin

T20K16-COL 3 Hole basin filler without pop-up waste, 290mm spout height



Classic Lever

FITTING / APPROVALS

Feeds: 1/2"
 Max deck thickness: 40mm
 Max drill hole Ø side valve: 33mm
 Max drill hole Ø spout: 41mm



FINISH

CP	€1,248
PN	€1,372
SSF/NL	€1,442
BGM	€1,590
MBC	€1,750
ABM/CNB/CTB	€1,838
AG	€2,224

PRICE

FLOW RATES

0.5 bar 1.8 l/min
 1.0 bar 2.6 l/min
 3.0 bar 4.0 l/min

Flow can be limited
 eg. for BREEAM



An optional aerator is available to improve flow rates at low pressure.
 Contact customer services for more information.



CP
 Chrome
 plate



PN
 Polished
 nickel



SSF
 Stainless steel
 finish



NL
 Non lacquered
 brass



BGM
 Brushed
 gold matt
 lacquered



MBC
 Matt black
 chrome



ABM
 Antique
 brass matt
 lacquered



CNB
 Country
 bronze



CTB
 City bronze



AG
 Antique
 gold

Classic forme Basin

T20K16-COX 3 Hole basin filler without pop-up waste, 290mm spout height



Classic Cross Top

FITTING / APPROVALS

Feeds: 1/2"
 Max deck thickness: 40mm
 Max drill hole Ø side valve: 33mm
 Max drill hole Ø spout: 41mm



FINISH

CP	€1,248
PN	€1,372
SSF/NL	€1,442
BGM	€1,590
MBC	€1,750
ABM/CNB/CTB	€1,838
AG	€2,224

PRICE

FLOW RATES

0.5 bar 1.8 l/min
 1.0 bar 2.6 l/min
 3.0 bar 4.0 l/min

Flow can be limited
 eg. for BREEAM



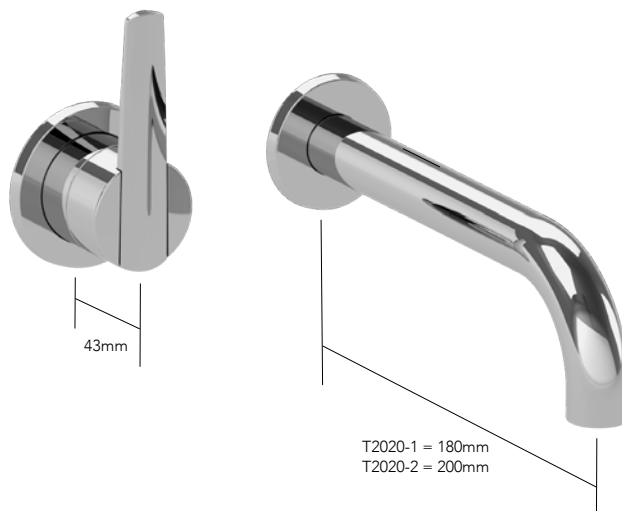
An optional aerator is available to improve flow rates at low pressure.
 Contact customer services for more information.



Classic forme Basin

T2020-1CTL 2 Hole wall mounted basin mixer, 180mm spout length

T2020-2CTL 2 Hole wall mounted basin mixer, 200mm spout length



Classic Lever

FITTING / APPROVALS

Installation fitting depth:
Min 63mm - Max 74mm



FINISH

	T2020-1CTL	T2020-2CTL
CP	€1,134	€1,188
PN	€1,248	€1,308
SSF/NL	€1,312	€1,372
BGM	€1,448	€1,512
MBC	€1,590	€1,664
ABM/CNB/CTB	€1,670	€1,748
AG	€2,022	€2,116

T2020-IS 2 Hole wall mounted filler rough

FITTING / APPROVALS

Feeds: 1/2"

Installation fitting depth:
Min 63mm - Max 74mm



FLOW RATES

0.5 bar 3.0 l/min

1.0 bar 4.2 l/min

3.0 bar 4.5 l/min

Flow can be limited
eg. for BREEAM

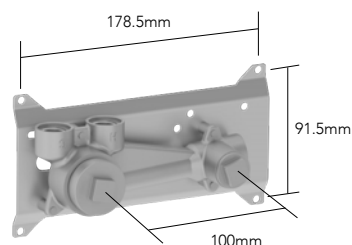


FINISH

XX

PRICE

€316



An optional aerator is available to improve flow rates at low pressure.
Contact customer services for more information.



CP
Chrome
plate

PN
Polished
nickel

SSF
Stainless steel
finish

NL
Non lacquered
brass

BGM
Brushed
gold matt
lacquered

MBC
Matt black
chrome

ABM
Antique
brass matt
lacquered

CNB
Country
bronze

CTB
City bronze

AG
Antique
gold

3 Hole deck mounted basin tap with Classic levers in city bronze

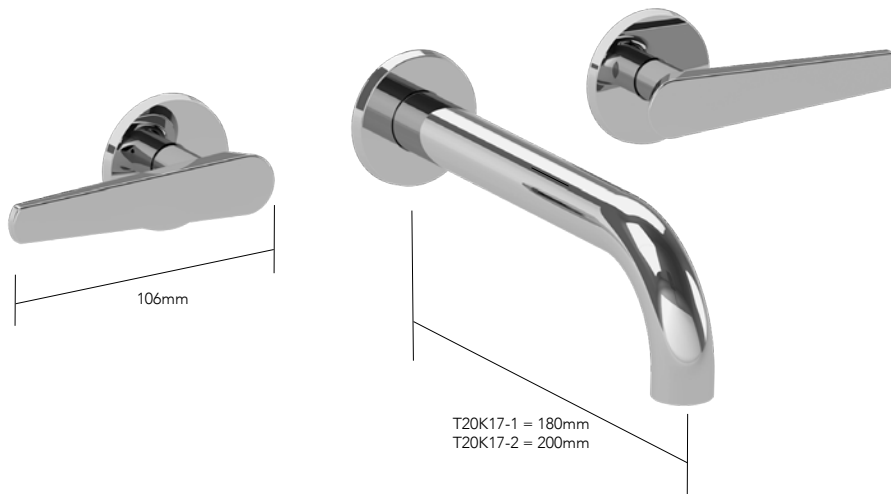


CLASSIC FORME 75

Classic forme Basin

T20K17-1COL 3 Hole wall mounted basin filler, 180mm spout length

T20K17-2COL 3 Hole wall mounted basin filler, 200mm spout length



Classic Lever

FITTING / APPROVALS

Installation fitting depth:
Min 75mm - Max 86mm

Drill holes Ø side valves:
Min 39mm - Max 41mm

Drill holes Ø spout:
Min 37mm - Max 42mm



FINISH

	T20K17-1COL	T20K17-2COL
CP	€1,176	€1,208
PN	€1,294	€1,330
SSF/NL	€1,360	€1,396
BGM	€1,500	€1,540
MBC	€1,650	€1,696
ABM/CNB/CTB	€1,734	€1,780
AG	€2,096	€2,154

V718-IS or V818-IS Roughs

FITTING / APPROVALS

Feeds: 3/4" female with adaptor for 1/2" female

Installation fitting depth:
Min 75mm - Max 86mm

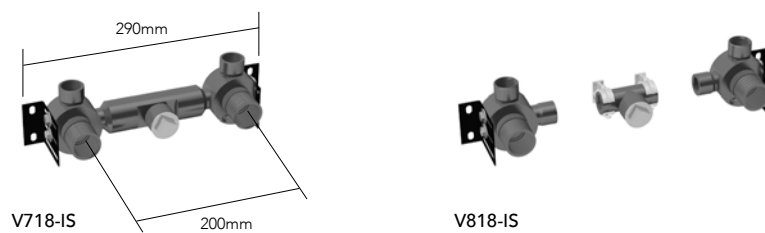
Drill holes Ø side valves:
Min 39mm - Max 41mm

Drill holes Ø spout:
Min 37mm - Max 42mm



FINISH

	V718-IS	V818-IS
XX	€400	€400



FLOW RATES

0.5 bar 1.8 l/min
1.0 bar 2.6 l/min
3.0 bar 4.0 l/min

Flow can be limited eg. for BREEAM



An optional aerator is available to improve flow rates at low pressure. Contact customer services for more information.



CP
Chrome plate



PN
Polished nickel



SSF
Stainless steel finish



NL
Non lacquered brass



BGM
Brushed gold matt lacquered



MBC
Matt black chrome



ABM
Antique brass matt lacquered



CNB
Country bronze



CTB
City bronze

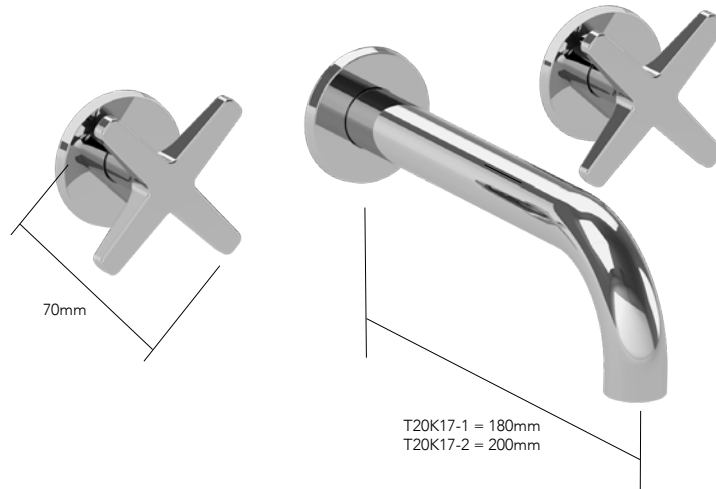


AG
Antique gold

Classic forme Basin

T20K17-1COX 3 Hole wall mounted basin filler, 180mm spout length

T20K17-2COX 3 Hole wall mounted basin filler, 200mm spout length



Classic Cross Top

FITTING / APPROVALS

Installation fitting depth:
Min 75mm - Max 86mm

Drill holes Ø side valves:
Min 39mm - Max 41mm

Drill holes Ø spout:
Min 37mm - Max 42mm



FINISH

	T20K17-1COX	T20K17-2COX
CP	€1,176	€1,208
PN	€1,294	€1,330
SSF/NL	€1,360	€1,396
BGM	€1,500	€1,540
MBC	€1,650	€1,696
ABM/CNB/CTB	€1,734	€1,780
AG	€2,096	€2,154

V718-IS or V818-IS Roughs

FITTING / APPROVALS

Feeds: 3/4" female with adaptor for 1/2" female

Installation fitting depth:
Min 75mm - Max 86mm

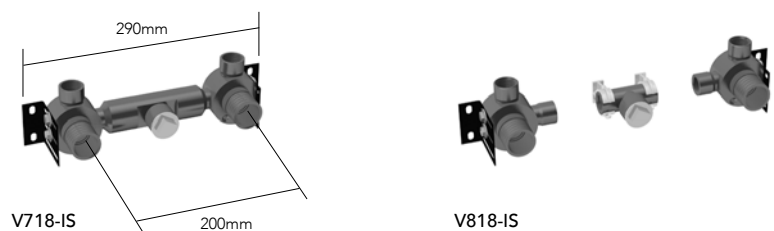
Drill holes Ø side valves:
Min 39mm - Max 41mm

Drill holes Ø spout:
Min 37mm - Max 42mm



FINISH

	V718-IS	V818-IS
XX	€400	€400



FLOW RATES

0.5 bar 1.8 l/min
1.0 bar 2.6 l/min
3.0 bar 4.0 l/min

Flow can be limited
eg. for BREEAM



An optional aerator is available to improve flow rates at low pressure.
Contact customer services for more information.



CP
Chrome
plate

PN
Polished
nickel

SSF
Stainless steel
finish

NL
Non lacquered
brass

BGM
Brushed
gold matt
lacquered

MBC
Matt black
chrome

ABM
Antique
brass matt
lacquered

CNB
Country
bronze

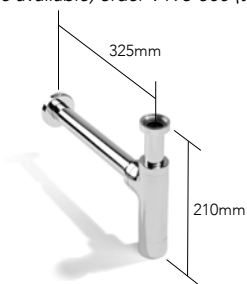
CTB
City bronze

AG
Antique
gold

Classic forme Basin

V193 1 1/4" Basin bottle trap

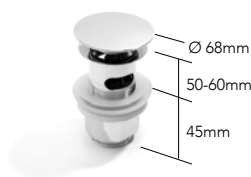
500mm Extension tube available, order V193-500 (tube only) - Prices TBA



FINISH	PRICE
CP	€276
PN	€306
SSF/NL	€318
BGM	€370
MBC	€358
ABM/CNB/CTB	€370
AG	€386

V192 1 1/4" Basin click-clack waste, slotted

For free-flow please order V192-FF



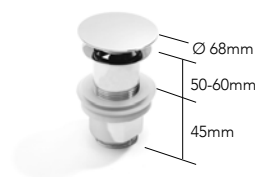
FINISH	PRICE
CP	€96
PN	€146
SSF/NL	€146
BGM	€156
MBC	€168
ABM/CNB/CTB	€168
AG	€166

VA60 1 1/4" Basin waste with metal plug, chain and stay



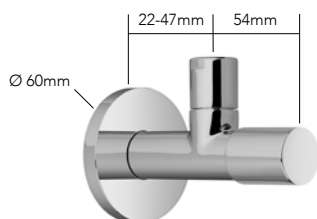
FINISH	PRICE
CP	€132
PN	€144
SSF/NL	€150
AG	€184

V192-UNS 1 1/4" Basin click-clack waste, unslotted



FINISH	PRICE
CP	€96
PN	€146
SSF/NL	€146
BGM	€156
MBC	€168
ABM/CNB/CTB	€168
AG	€166

V190 Angle valve



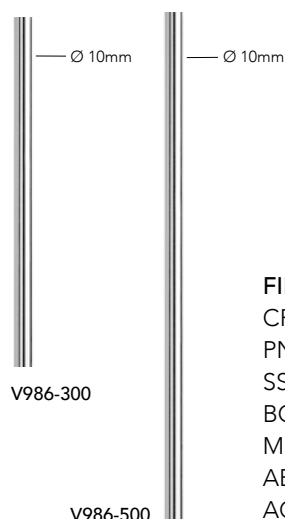
FITTING / APPROVALS

Thread: 1/2"
Outlet: 3/8" or 10mm



FINISH	PRICE
CP	€166
PN	€182
SSF/NL	€250
BGM	€286
MBC	€266
ABM/CNB/CTB	€286
AG	€300

V986-300 300mm Tube V986-500 500mm Tube

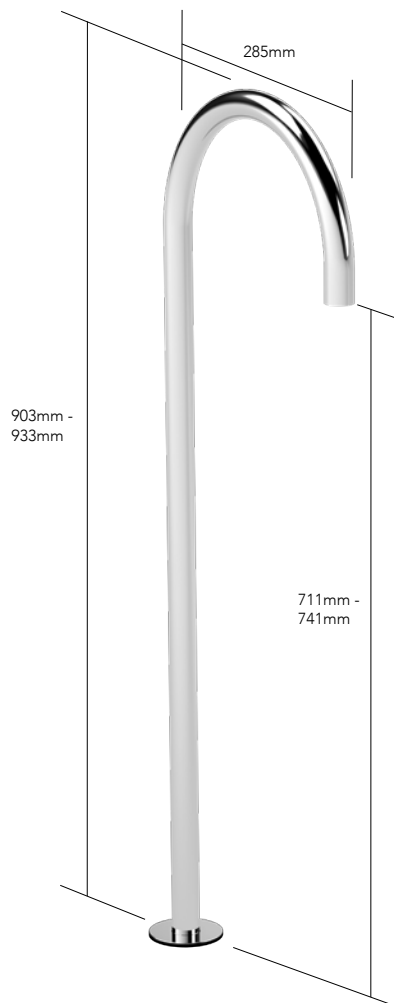


FINISH	-300	-500
CP	€92	€122
PN	€98	€132
SSF/NL	€102	€140
BGM	€110	€150
MBC	€114	€156
ABM/CNB/CTB	€120	€162
AG	€124	€172

Classic forme Bath

V141-SP Free-standing bath spout

Requires V141-IS and separate flow controls eg T20K42, T2007 or T2001 if thermostatic control is preferred



FITTING / APPROVALS

Outlet Height:
Min 711mm - Max 741mm.
30mm outlet height adjustment
is achieved by modifying the
depth of the installation kit in
the floor

WRAS approval pending

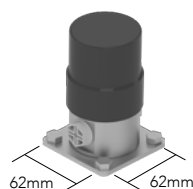
FINISH

CP	€1,362
PN	€1,498
SSF/NL	€1,572
BGM	€2,426
MBC	€1,910
ABM/CNB/CTB	€2,004
AG	€2,426

PRICE

V141-IS Installation system for free-standing bath spout

Requires V141-SP



FITTING / APPROVALS

Feeds: 1/2"
Installation fitting depth:
Min 80mm - Max 110mm

WRAS approval pending

FINISH

XX

PRICE

€480



CP
Chrome
plate



PN
Polished
nickel



SSF
Stainless steel
finish



NL
Non lacquered
brass



BGM
Brushed
gold matt
lacquered



MBC
Matt black
chrome



ABM
Antique
brass matt
lacquered



CNB
Country
bronze



CTB
City bronze



AG
Antique
gold

Classic forme Bath

T20K36-CTL Floor mounted single lever bath / shower mixer

Requires V736-IS

Classic Lever

FITTING / APPROVALS

FLOW RATES

Min 3.0 Bar
3.0 bar 23.2 l/min

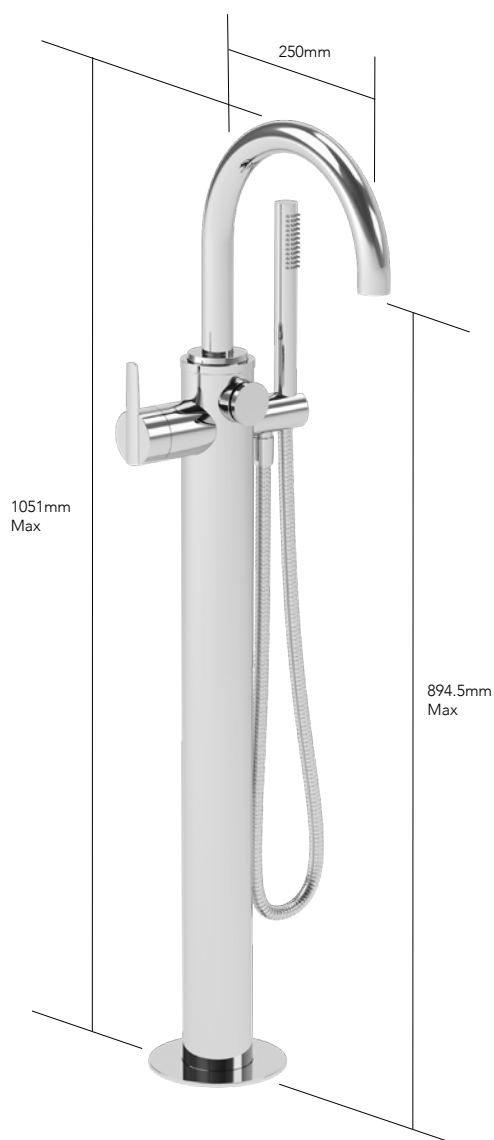


WRAS approval pending

FINISH

CP	€5,926
PN	€6,520
SSF/NL	€7,102
BGM	€6,086
MBC	€7,706
ABM/CNB/CTB	€8,006
AG	€8,472

PRICE



V736-IS Floor rough for single lever bath / shower mixer

Requires T20K36

FITTING / APPROVALS

Feeds: 1/2" female with adaptor for 1/2" female

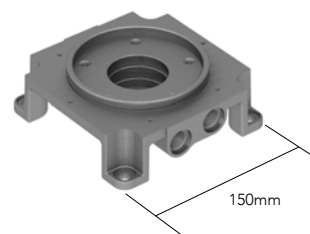
Installation fitting depth:
Min 99.5mm - Max 159mm



FINISH

XX	€1,480
----	--------

PRICE



CP
Chrome
plate

PN
Polished
nickel

SSF
Stainless steel
finish

NL
Non lacquered
brass

BGM
Brushed
gold matt
lacquered

MBC
Matt black
chrome

ABM
Antique
brass matt
lacquered

CNB
Country
bronze

CTB
City bronze

AG
Antique
gold

3 Hole deck mounted basin tap with Classic cross tops in polished nickel



CLASSIC FORME 81

Classic forme Bath

T20K48-COL 4 Hole bath filler, 180mm spout length



Classic Lever

FITTING / APPROVALS

Feeds: 3/4"
 Max deck thickness: 50mm
 Drill hole Ø side valve: Min 36mm - Max 41mm
 Drill hole Ø spout: Min 36mm - Max 41mm
 Drill hole Ø hand shower: Min 38mm - Max 41mm



FLOW RATES

1.0 bar 24.4 l/min
 3.0 bar 45.0 l/min

FINISH

CP	€2,596
PN	€2,856
SSF/NL	€3,000
BGM	€3,310
MBC	€3,642
ABM/CNB/CTB	€3,822
AG	€4,628

PRICE



CP
Chrome
plate

PN
Polished
nickel

SSF
Stainless steel
finish

NL
Non lacquered
brass

BGM
Brushed
gold matt
lacquered

MBC
Matt black
chrome

ABM
Antique
brass matt
lacquered

CNB
Country
bronze

CTB
City bronze

AG
Antique
gold

Classic forme Bath

T20K48-COX 4 Hole bath filler, 180mm spout length



Classic Cross Top

FITTING / APPROVALS

Feeds: 3/4"
 Max deck thickness: 50mm
 Drill hole Ø side valve: Min 36mm - Max 41mm
 Drill hole Ø spout: Min 36mm - Max 41mm
 Drill hole Ø hand shower: Min 38mm - Max 41mm



FLOW RATES

1.0 bar 24.4 l/min
 3.0 bar 45.0 l/min

FINISH	PRICE
CP	€2,596
PN	€2,856
SSF/NL	€3,000
BGM	€3,310
MBC	€3,642
ABM/CNB/CTB	€3,822
AG	€4,628



CP
Chrome
plate



PN
Polished
nickel



SSF
Stainless steel
finish



NL
Non lacquered
brass



BGM
Brushed
gold matt
lacquered



MBC
Matt black
chrome



ABM
Antique
brass matt
lacquered



CNB
Country
bronze



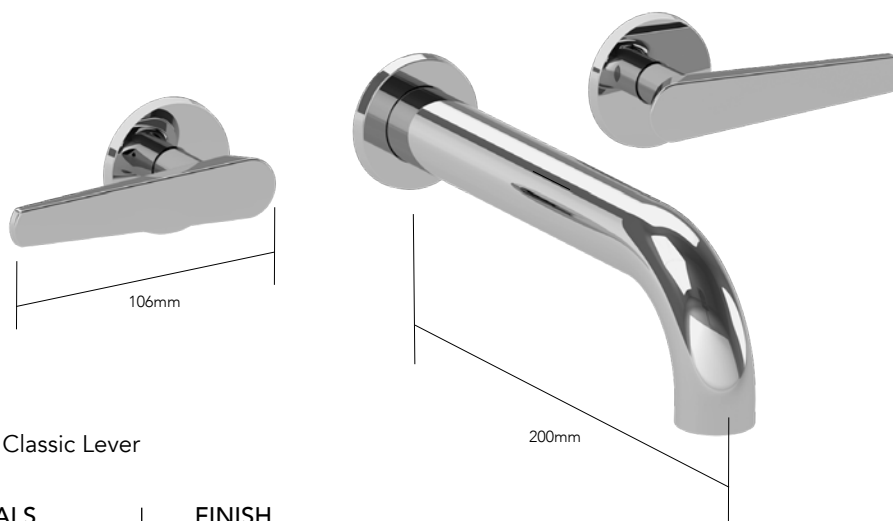
CTB
City bronze



AG
Antique
gold

Classic forme Bath

T20K47-COL 3 Hole wall mounted bath filler, 200mm spout length



Classic Lever

FITTING / APPROVALS

Installation fitting depth:
Min 75mm - Max 86mm

Drill holes Ø side valves:
Min 39mm - Max 41mm

Drill holes Ø spout:
Min 37mm - Max 42mm



FINISH

CP	€1,462
PN	€1,610
SSF/NL	€1,690
BGM	€1,864
MBC	€2,050
ABM/CNB/CTB	€2,154
AG	€2,604

V718-IS or V818-IS Roughs

FITTING / APPROVALS

Feeds: 3/4" female with adaptor for 1/2" female

Installation fitting depth:
Min 75mm - Max 86mm

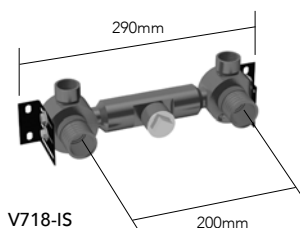
Drill holes Ø side valves:
Min 39mm - Max 41mm

Drill holes Ø spout:
Min 37mm - Max 42mm



FINISH

XX	V718-IS	V818-IS
	€400	€400



V818-IS

FLOW RATES

0.5 bar 25.2 l/min



1.0 bar 36.5 l/min

3.0 bar 67.3 l/min



CP
Chrome
plate

PN
Polished
nickel

SSF
Stainless steel
finish

NL
Non lacquered
brass

BGM
Brushed
gold matt
lacquered

MBC
Matt black
chrome

ABM
Antique
brass matt
lacquered

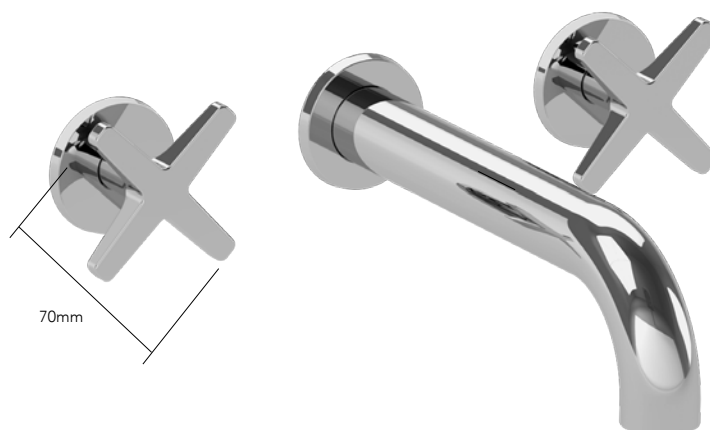
CNB
Country
bronze

CTB
City bronze

AG
Antique
gold

Classic forme Bath

T20K47-COX 3 Hole wall mounted bath filler, 200mm spout length



Classic Cross Top

FITTING / APPROVALS

Installation fitting depth:
Min 75mm - Max 86mm

Drill holes Ø side valves:
Min 39mm - Max 41mm

Drill holes Ø spout:
Min 37mm - Max 42mm



FINISH

CP	€1,462
PN	€1,610
SSF/NL	€1,690
BGM	€1,864
MBC	€2,050
ABM/CNB/CTB	€2,154
AG	€2,604

V718-IS or V818-IS Roughs

FITTING / APPROVALS

Feeds: 3/4" female with adaptor for 1/2" female

Installation fitting depth:
Min 75mm - Max 86mm

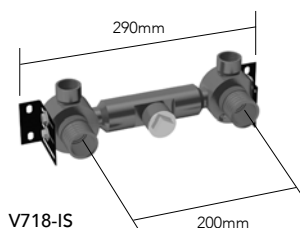
Drill holes Ø side valves:
Min 39mm - Max 41mm

Drill holes Ø spout:
Min 37mm - Max 42mm



FINISH

XX	V718-IS	V818-IS
	€400	€400



V818-IS

FLOW RATES

0.5 bar 25.2 l/min

1.0 bar 36.5 l/min

3.0 bar 67.3 l/min



CP
Chrome
plate



PN
Polished
nickel



SSF
Stainless steel
finish



NL
Non lacquered
brass



BGM
Brushed
gold matt
lacquered



MBC
Matt black
chrome



ABM
Antique
brass matt
lacquered



CNB
Country
bronze



CTB
City bronze

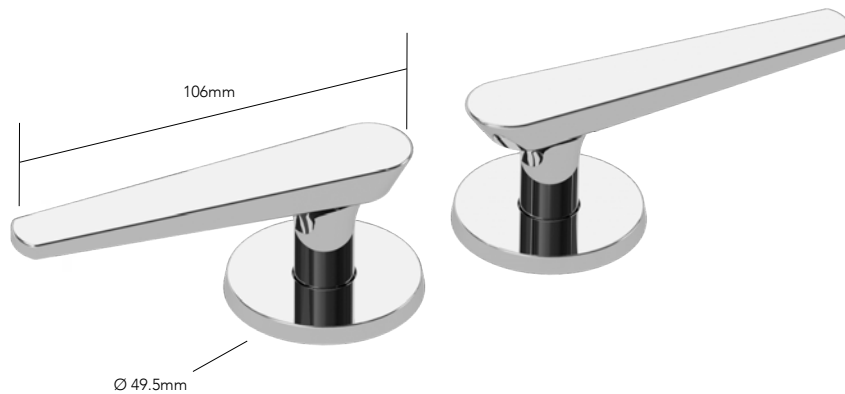


AG
Antique
gold

Classic forme Bath

T20K42-COL Deck mounted side valves (pair)

Requires V141-SP or V145



Classic Lever

FITTING / APPROVALS

Feeds: 3/4"

Max deck thickness: 50mm

Drill hole Ø: Min 36mm - Max 41mm

FLOW RATES

0.5 bar 22.0 l/min

1.0 bar 32.0 l/min

3.0 bar 57.4 l/min



FINISH

CP	€770
PN	€848
SSF/NL	€890
BGM	€1,864
MBC	€1,078
ABM/CNB/CTB	€1,132
AG	€1,370

PRICE

WRAS approval pending



CP
Chrome
plate



PN
Polished
nickel



SSF
Stainless steel
finish



NL
Non lacquered
brass



BGM
Brushed
gold matt
lacquered



MBC
Matt black
chrome



ABM
Antique
brass matt
lacquered



CNB
Country
bronze



CTB
City bronze

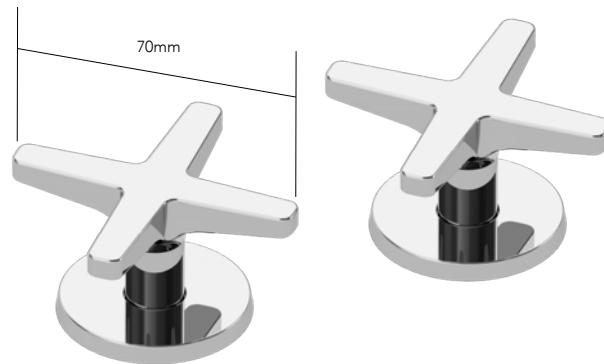


AG
Antique
gold

Classic forme Bath

T20K42-COX Deck mounted side valves (pair)

Requires V141-SP or V145



Classic Cross Top

FITTING / APPROVALS

Feeds: 3/4"

Max deck thickness: 50mm

Drill hole Ø: Min 36mm - Max 41mm

FLOW RATES

0.5 bar 22.0 l/min 

1.0 bar 32.0 l/min

3.0 bar 57.4 l/min

FINISH

CP	€770
PN	€848
SSF/NL	€890
BGM	€1,864
MBC	€1,078
ABM/CNB/CTB	€1,132
AG	€1,370

PRICE

WRAS approval pending



CP
Chrome
plate



PN
Polished
nickel



SSF
Stainless steel
finish



NL
Non lacquered
brass



BGM
Brushed
gold matt
lacquered



MBC
Matt black
chrome



ABM
Antique
brass matt
lacquered



CNB
Country
bronze



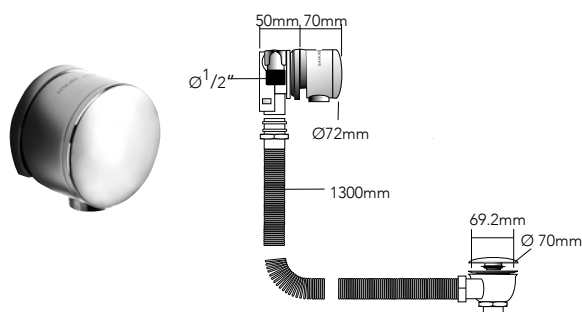
CTB
City bronze



AG
Antique
gold

Classic forme Bath

V145 Overflow filler (high pressure) with click waste



FITTING / APPROVALS

For baths up to 8mm thick.
For baths 8mm-30mm
thick please order extra
V145-EXT

FLOW RATES

0.5 bar 13.0 l/min
1.0 bar 19.0 l/min
3.0 bar 35.0 l/min



FINISH

CP
PN
SSF/NL
BGM
MBC
ABM/CNB/CTB
AG

PRICE

€644
€704
€742
€870
€834
€872
€908

V145-EXT €122

T2046 Wall mounted bath spout, 200mm long

Requires V758-IS



FITTING / APPROVALS

Installation fitting depth:
Min 84mm - Max 98mm



FINISH

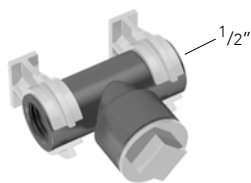
CP
PN
SSF/NL
BGM
MBC
ABM/CNB/CTB
AG

PRICE

€606
€666
€700
€772
€850
€892
€1,078

V758-IS Spout rough for T2046

Requires T2046



FITTING / APPROVALS

Feeds: 1/2"



FINISH

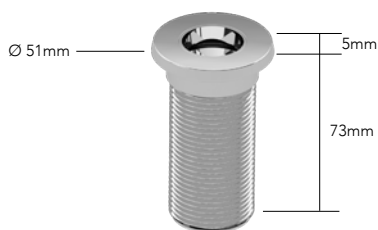
XX

PRICE

€166

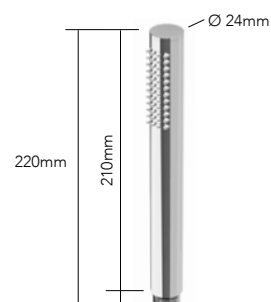
Classic forme Bath

T2080 Bath boss for hand shower



FITTING / APPROVALS	FINISH	PRICE
Min drill hole: 38mm Max drill hole: 41mm	CP	€226
	PN	€246
	SSF/NL	€260
	BGM	€286
	MBC	€316
	ABM/CNB/CTB	€330
	AG	€400

V182 Easy clean hand shower



FITTING / APPROVALS	FINISH	PRICE
Thread: 1/2"	CP	€204
	PN	€230
	SSF/NL	€240
	BGM	€276
	MBC	€266
	ABM/CTB	€276
	AG	€286



For WRAS approved version order V182W.

V783 Angle bracket



FITTING / APPROVALS	FINISH	PRICE
Feed: 1/2"	CP	€156
	PN	€168
	SSF/NL	€184
	BGM	€192
	MBC	€204
	ABM/CNB/CTB	€218
	AG	€230



T2066-SPR Bidet spray

We recommend the use of a flow control with this bidet spray



FITTING / APPROVALS	FINISH	PRICE
Feed: 1/2"	CP	€492
	PN	€540
	SSF/NL	€568
	BGM	€626
	MBC	€690
	ABM/CNB/CTB	€726
	AG	€876



WRAS approval pending

V165W, V940W, V941, V942 Hoses

FITTING / APPROVALS

Feed: 1/2"



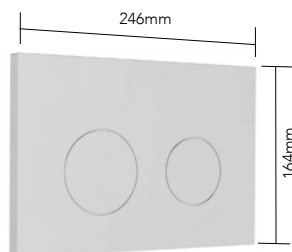
For WRAS approved versions order V165W, V940W, V941W or V942W



FINISH	V165W	V940W	V941	V942
CP	€92	€92	€98	€110
PN	€100	€100	€98	€120
SSF/NL	€104	€104	€134	€146
BGM	€114	€114	€168	€182
MBC	€116	€116	€146	€158
ABM	€120	€120	€266	€276
CNB/CTB	€120	€120	€266	€276
AG	€124	€124	€182	€192

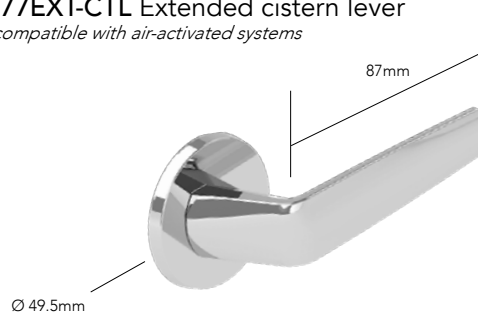
Classic forme Bath and WC

V171 WC Dual flush plate to suit Geberit Sigma concealed cistern



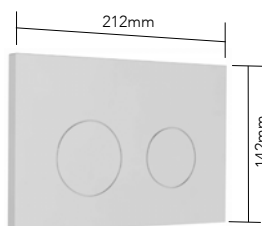
FINISH	PRICE
CP	€1,922
PN	€2,002
SSF/NL	€2,070
BGM	€2,112
MBC	€2,126
ABM/CNB/CTB	€2,138
AG	€2,274

T2077-CTL Cistern lever
T2077EXT-CTL Extended cistern lever
Not compatible with air-activated systems



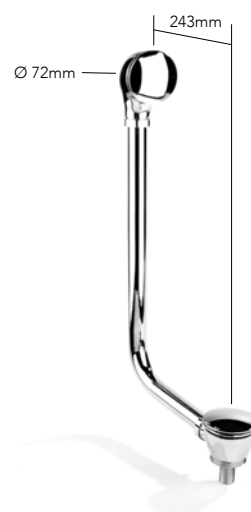
FINISH	T2077	T2077EXT
CP	€342	€448
PN	€374	€492
SSF/NL	€394	€516
BGM	€436	€570
MBC	€478	€626
ABM/CNB/CTB	€502	€658
AG	€608	€796

V172 WC Dual flush plate to suit Geberit Omega concealed cistern



FINISH	PRICE
CP	€1,922
PN	€2,002
SSF/NL	€2,070
BGM	€2,112
MBC	€2,126
ABM/CNB/CTB	€2,138
AG	€2,274

V197 Bath click-clack waste with overflow for freestanding baths



FITTING / APPROVALS

Feeds: 1 1/2"

An extended version for baths with a central waste is available

FINISH		Extended version
CP	€400	€582
PN	€442	€642
SSF/NL	€460	€670
BGM	€592	€728
MBC	€562	€756
ABM/CNB/CTB	€562	€786
AG	€562	€816

Classic forme Bath

V392 1 1/2" Bath click-clack waste, slotted
 V392-UNS 1 1/2" Bath click-clack waste, unslotted



V392

V392-UNS

FINISH	V392	V392-UNS
CP	€138	€138
PN	€146	€146
SSF/NL	€164	€164
BGM	€174	€174
MBC	€242	€242
ABM/CNB/CTB	€240	€240
AG	€192	€192

VA67 1 1/2" Auto pop-up waste, extended for large baths



FITTING / APPROVALS	FINISH	PRICE
Feeds: 1 1/2"	CP	€322
	PN	€352
	SSF/NL	€368
	BGM	€400
	MBC	€412
	ABM/CNB/CTB	€430
	AG	€446

VA65 1 1/2" Combined bath waste and overflow with metal plug and chain



FITTING / APPROVALS	FINISH	PRICE
Feeds: 1 1/2"	CP	€164
	PN	€180
	SSF/NL	€250
	BGM	€250
	MBC	€250
	ABM/CNB/CTB	€278
	AG	€228

V195 Low P trap for freestanding bath



FITTING / APPROVALS	FINISH	PRICE
Feeds: 1 1/2"	CP	€134
	PN	€166
	SSF/NL	€192
	AG	€202

VA66 1 1/2" Auto pop-up waste



FITTING / APPROVALS	FINISH	PRICE
Feeds: 1 1/2"	CP	€292
	PN	€322
	SSF/NL	€334
	BGM	€366
	MBC	€376
	ABM/CNB/CTB	€394
	AG	€408

Classic forme Shower

T20B2COL 1/2" Concealed thermostatic shower,
2 flow controls

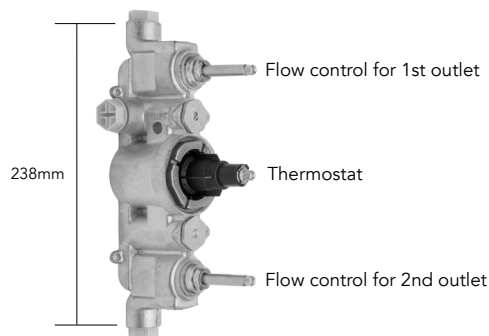
Requires V135-IS concealed valve



V135-IS Concealed thermostatic valve - rough

Requires T20B2

This valve has 2 controlled outlets which can operate simultaneously



Classic Lever

FITTING / APPROVALS

Feeds: 1/2"
Projection of valve:
43mm

FINISH

CP	€2,724
PN	€2,998
SSF/NL	€3,168
BGM	€3,624
MBC	€3,774
ABM/CNB/CTB	€4,134
AG	€4,712

PRICE

FITTING / APPROVALS

Feeds: 1/2"
Fitting depth: Min 120mm - Max 130mm
from finished tiled surface to rear of fixing,
when used with T20B2 trim.

FINISH

XX

PRICE

€952

Extension kits are available V135-EXT
adding 25mm to fitting depth. If necessary
more than one extension kit can be used

Flow can be limited
eg. for BREEAM



FLOW RATE

0.5 bar	11.8 l/min
1.0 bar	17.2 l/min
3.0 bar	32.0 l/min



CP
Chrome
plate



PN
Polished
nickel



SSF
Stainless steel
finish



NL
Non lacquered
brass



BGM
Brushed
gold matt
lacquered



MBC
Matt black
chrome



ABM
Antique
brass matt
lacquered



CNB
Country
bronze



CTB
City bronze



AG
Antique
gold

Classic forme Shower

T20B2COX 1/2" Concealed thermostatic shower,
2 flow controls

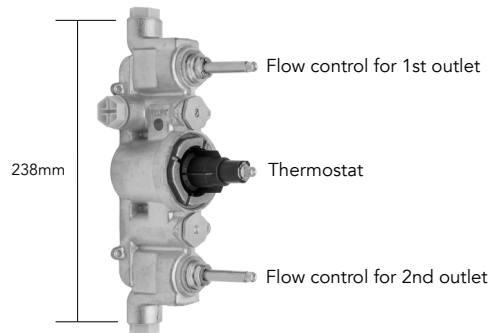
Requires V135-IS concealed valve



V135-IS Concealed thermostatic valve - rough

Requires T20B2

This valve has 2 controlled outlets which can operate simultaneously



Classic Cross Top

FITTING / APPROVALS

Feeds: 1/2"
Projection of valve:
43mm

FINISH

CP	€2,724
PN	€2,998
SSF/NL	€3,168
BGM	€3,624
MBC	€3,774
ABM/CNB/CTB	€4,134
AG	€4,712

PRICE

FITTING / APPROVALS

Feeds: 1/2"
Fitting depth: Min 120mm - Max 130mm
from finished tiled surface to rear of fixing,
when used with T20B2 trim.

Extension kits are available V135-EXT
adding 25mm to fitting depth. If necessary
more than one extension kit can be used

Flow can be limited
eg. for BREEAM



FINISH

XX €952

FLOW RATES

0.5 bar	11.8 l/min
1.0 bar	17.2 l/min
3.0 bar	32.0 l/min



CP
Chrome
plate



PN
Polished
nickel



SSF
Stainless steel
finish



NL
Non lacquered
brass



BGM
Brushed
gold matt
lacquered



MBC
Matt black
chrome



ABM
Antique
brass matt
lacquered



CNB
Country
bronze



CTB
City bronze



AG
Antique
gold

Classic forme Shower

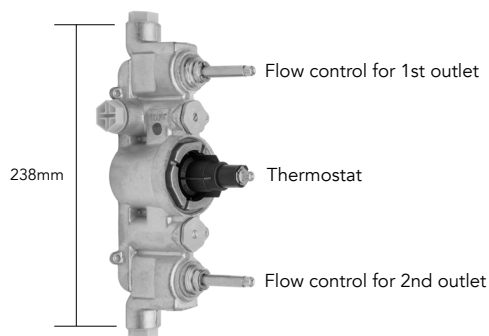
T20B1COL 1/2" Concealed thermostatic shower,
2 flow controls

Requires V135-IS concealed valve

V135-IS Concealed thermostatic valve - rough

Requires T20B1

This valve has 2 controlled outlets which can operate simultaneously



Classic Lever

FITTING / APPROVALS

Feeds: 1/2"
Projection of valve:
43mm

FINISH

CP	€3,666
PN	€4,030
SSF/NL	€4,254
BGM	€4,822
MBC	€5,094
ABM/CNB/CTB	€5,518
AG	€6,384

PRICE

FITTING / APPROVALS

Feeds: 1/2"
Fitting depth: Min 120mm - Max 130mm
from finished tiled surface to rear of fixing,
when used with T20B1 trim

FINISH

XX

PRICE

€952

Extension kits are available V135-EXT
adding 25mm to fitting depth. If necessary
more than one extension kit can be used

Flow can be limited
eg. for BREEAM



FLOW RATES

0.5 bar	11.8 l/min
1.0 bar	17.2 l/min
3.0 bar	32.0 l/min



CP
Chrome
plate



PN
Polished
nickel



SSF
Stainless steel
finish



NL
Non lacquered
brass



BGM
Brushed
gold matt
lacquered



MBC
Matt black
chrome



ABM
Antique
brass matt
lacquered



CNB
Country
bronze



CTB
City bronze



AG
Antique
gold

Classic forme Shower

T20B1COX 1/2" Concealed thermostatic shower,
2 flow controls

Requires V135-IS concealed valve

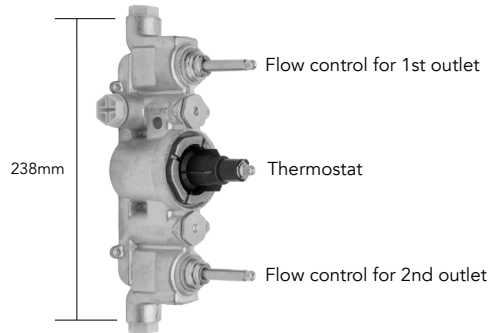


Classic Cross Top

V135-IS Concealed thermostatic valve - rough

Requires T20B1

This valve has 2 controlled outlets which can operate simultaneously



FITTING / APPROVALS	FINISH	PRICE
Feeds: 1/2" Projection of valve: 43mm	CP	€3,666
	PN	€4,030
	SSF/NL	€4,254
	BGM	€4,822
	MBC	€5,094
	ABM/CNB/CTB	€5,518
	AG	€6,384

FITTING / APPROVALS	FINISH	PRICE
Feeds: 1/2" Fitting depth: Min 120mm - Max 130mm from finished tiled surface to rear of fixing, when used with T20B1 trim	XX	€952

Extension kits are available V135-EXT
adding 25mm to fitting depth. If necessary
more than one extension kit can be used

Flow can be limited
eg. for BREEAM



FLOW RATES	
0.5 bar	11.8 l/min
1.0 bar	17.2 l/min
3.0 bar	32.0 l/min



CP
Chrome
plate



PN
Polished
nickel



SSF
Stainless steel
finish



NL
Non lacquered
brass



BGM
Brushed
gold matt
lacquered



MBC
Matt black
chrome



ABM
Antique
brass matt
lacquered



CNB
Country
bronze



CTB
City bronze

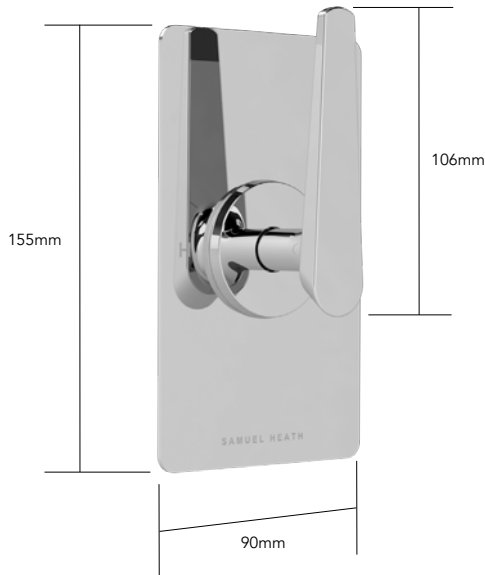


AG
Antique
gold

Classic forme Shower

T2000-TCOL Trim set for V133-IS thermostatic valve

Requires V133-IS concealed valve

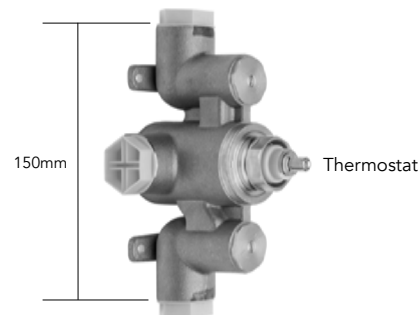


V133-IS Concealed thermostatic valve - rough

Requires T2000

This valve has 2 open outlets

Use T2007 for each



Classic Lever

FITTING / APPROVALS	FINISH	PRICE
Feeds: 1/2" Projection of valve: 43mm	CP	€668
	PN	€736
	SSF/NL	€772
	BGM	€852
	MBC	€938
	ABM/CNB/CTB	€984
	AG	€1,192

FITTING / APPROVALS	FINISH	PRICE
	XX	€552

Feeds: 1/2"
Fitting depth: Min 100mm - Max 111mm
from finished tiled surface to rear of fixing,
when used with T2000 trim

Extension kits are available V133-EXT
adding 25mm to fitting depth. If necessary
more than one extension kit can be used

Flow can be limited
eg. for BREEAM



FLOW RATES

0.5 bar 11.6 l/min
1.0 bar 17.0 l/min
3.0 bar 31.5 l/min



CP
Chrome
plate



PN
Polished
nickel



SSF
Stainless steel
finish



NL
Non lacquered
brass



BGM
Brushed
gold matt
lacquered



MBC
Matt black
chrome



ABM
Antique
brass matt
lacquered



CNB
Country
bronze



CTB
City bronze

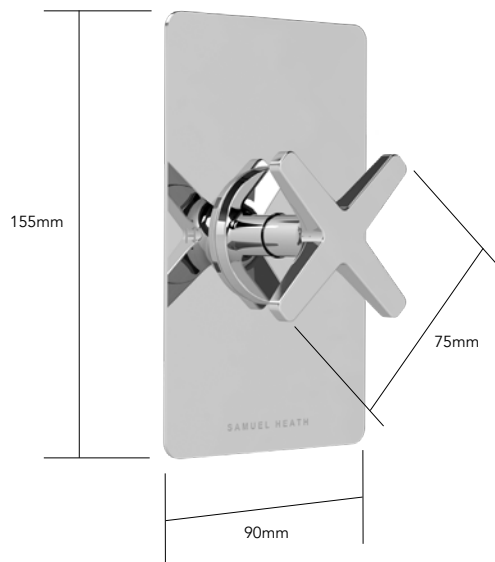


AG
Antique
gold

Classic forme Shower

T2000-TCOX Trim set for V133-IS thermostatic valve

Requires V133-IS concealed valve

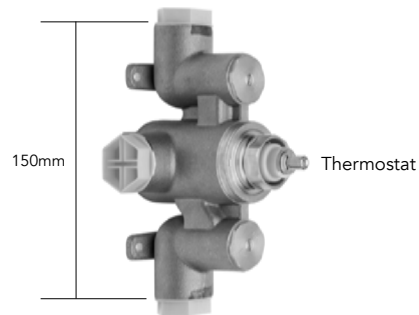


V133-IS Concealed thermostatic valve - rough

Requires T2000

This valve has 2 open outlets

Use T2007 for each



Classic Cross Top

FITTING / APPROVALS

Feeds: 1/2"
Projection of valve:
43mm

FINISH

CP
PN
SSF/NL
BGM
MBC
ABM/CNB/CTB
AG

PRICE

€668
€736
€772
€852
€938
€984
€1,192

FITTING / APPROVALS

Feeds: 1/2"
Fitting depth: Min 100mm - Max 111mm
from finished tiled surface to rear of fixing,
when used with T2000 trim

FINISH

XX

PRICE

€552

Extension kits are available V133-EXT
adding 25mm to fitting depth. If necessary
more than one extension kit can be used

Flow can be limited
eg. for BREEAM



FLOW RATES

0.5 bar 11.6 l/min
1.0 bar 17.0 l/min
3.0 bar 31.5 l/min



CP
Chrome
plate



PN
Polished
nickel



SSF
Stainless steel
finish



NL
Non lacquered
brass



BGM
Brushed
gold matt
lacquered



MBC
Matt black
chrome



ABM
Antique
brass matt
lacquered



CNB
Country
bronze



CTB
City bronze

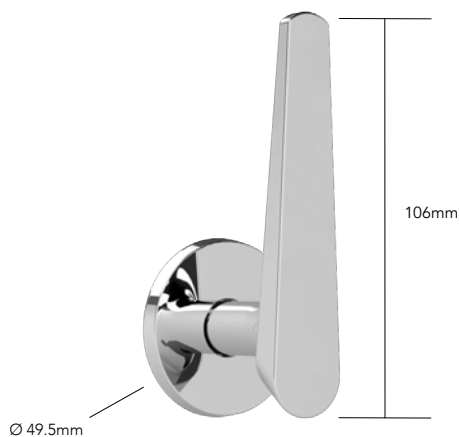


AG
Antique
gold

Classic forme Shower

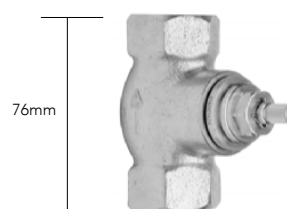
T2007-TCOL Trim set for V607-IS flow control

Requires V607-IS flow control



V607-IS Concealed flow control - rough

Requires T2007 Trim set



Classic Lever

FITTING / APPROVALS	FINISH	PRICE
Feeds: 1/2" Projection of valve: 43mm	CP	€470
	PN	€516
	SSF/NL	€540
	BGM	€598
	MBC	€656
	ABM/CNB/CTB AG	€690 €834

FITTING / APPROVALS	FINISH	PRICE
Feeds: 1/2" Fitting depth: Min 61mm - Max 72mm from finished tiled surface to centre, when used with T2007 trim	XX	€160

Extension kits are available V607-EXT
adding 25mm to fitting depth. If necessary
more than one extension kit can be used

Flow can be limited
eg. for BREEAM



FLOW RATES	
0.5 bar	6.1 l/min
1.0 bar	22.2 l/min
3.0 bar	34.2 l/min

T2007-TCOL WRAS approval pending



CP
Chrome
plate

PN
Polished
nickel

SSF
Stainless steel
finish

NL
Non lacquered
brass

BGM
Brushed
gold matt
lacquered

MBC
Matt black
chrome

ABM
Antique
brass matt
lacquered

CNB
Country
bronze

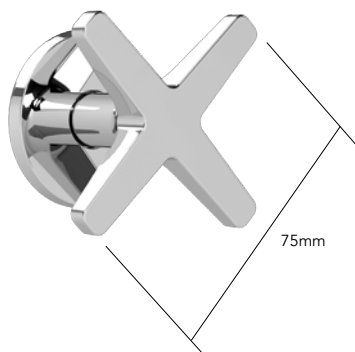
CTB
City bronze

AG
Antique
gold

Classic forme Shower

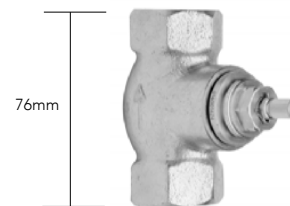
T2007-TCOX Trim set for V607-IS flow control

Requires V607-IS flow control



V607-IS Concealed flow control - rough

Requires T2007 Trim set



Classic Cross Top

FITTING / APPROVALS

Feeds: 1/2"
Projection of valve:
43mm

FINISH

CP
PN
SSF/NL
BGM
MBC
ABM/CNB/CTB
AG

PRICE

€470
€516
€540
€598
€656
€690
€834

FITTING / APPROVALS

Feeds: 1/2"
Fitting depth: Min 61mm - Max 72mm
from finished tiled surface to centre, when used
with T2007 trim

FINISH

XX

PRICE

€160

Extension kits are available V607-EXT
adding 25mm to fitting depth. If necessary
more than one extension kit can be used

Flow can be limited
eg. for BREEM



FLOW RATES

0.5 bar 6.1 l/min
1.0 bar 22.2 l/min
3.0 bar 34.2 l/min

T2007-TCOX WRAS approval pending



CP
Chrome
plate



PN
Polished
nickel



SSF
Stainless steel
finish



NL
Non lacquered
brass



BGM
Brushed
gold matt
lacquered



MBC
Matt black
chrome



ABM
Antique
brass matt
lacquered



CNB
Country
bronze



CTB
City bronze

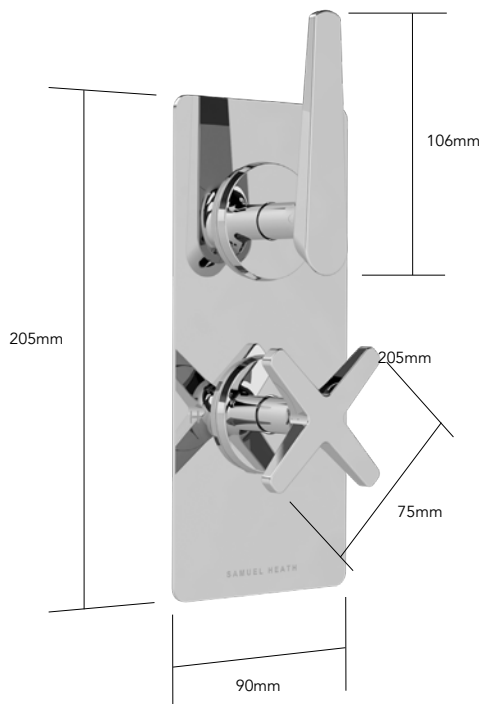


AG
Antique
gold

Classic forme Shower

T2001-TCOL Trim set for V134-IS thermostatic valve

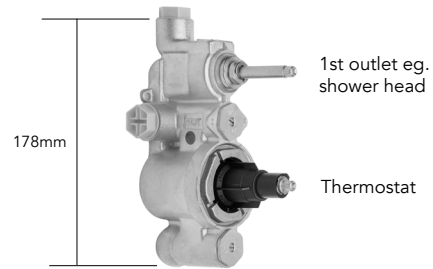
Requires V134-IS concealed valve



V134-IS Concealed thermostatic valve - rough

Requires T2001

This valve has 1 controlled outlet



Classic Lever

FITTING / APPROVALS

Feeds: 1/2"
Projection of valve:
43mm

FINISH

CP	€1,134
PN	€1,248
SSF/NL	€1,312
BGM	€1,448
MBC	€1,590
ABM/CNB/CTB	€1,670
AG	€2,022

PRICE

FITTING / APPROVALS

Feeds: 1/2"
Fitting depth: Min 120mm - Max 131mm
from finished tiled surface to rear of fixing,
when used with T2001 trim

FINISH

XX

PRICE

€712

Extension kits are available V133-EXT
adding 25mm to fitting depth. If necessary
more than one extension kit can be used

Flow can be limited
eg. for BREEAM



FLOW RATES

0.5 bar	10.2 l/min
1.0 bar	15.8 l/min
3.0 bar	29.6 l/min

T2001-TCOL WRAS approval pending



CP
Chrome
plate



PN
Polished
nickel



SSF
Stainless steel
finish



NL
Non lacquered
brass



BGM
Brushed
gold matt
lacquered



MBC
Matt black
chrome



ABM
Antique
brass matt
lacquered



CNB
Country
bronze



CTB
City bronze

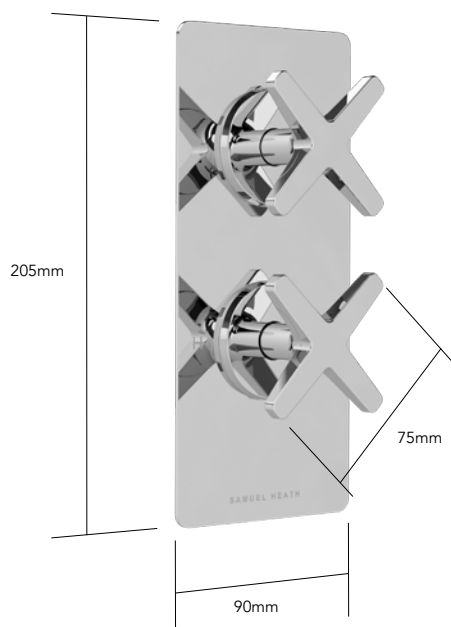


AG
Antique
gold

Classic forme Shower

T2001-TCOX Trim set for V134-IS thermostatic valve

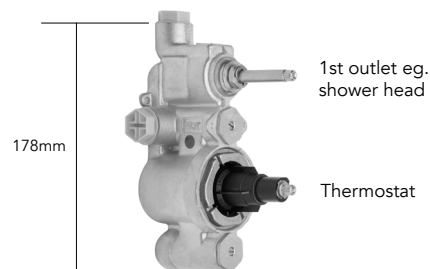
Requires V134-IS concealed valve



V134-IS Concealed thermostatic valve - rough

Requires T2001

This valve has 1 controlled outlet



Classic Cross Top

FITTING / APPROVALS

Feeds: 1/2"
Projection of valve:
43mm

FINISH

CP	€1,134
PN	€1,248
SSF/NL	€1,312
BGM	€1,448
MBC	€1,590
ABM/CNB/CTB	€1,670
AG	€2,022

FITTING / APPROVALS

Feeds: 1/2"
Fitting depth: Min 120mm - Max 131mm
from finished tiled surface to rear of fixing,
when used with T2001 trim

FINISH
XX

PRICE
€712

Extension kits are available V133-EXT
adding 25mm to fitting depth. If necessary
more than one extension kit can be used

Flow can be limited
eg. for BREEAM



FLOW RATES

0.5 bar	10.2 l/min
1.0 bar	15.8 l/min
3.0 bar	29.6 l/min

T2001-TCOX WRAS approval pending



CP
Chrome
plate



PN
Polished
nickel



SSF
Stainless steel
finish



NL
Non lacquered
brass



BGM
Brushed
gold matt
lacquered



MBC
Matt black
chrome



ABM
Antique
brass matt
lacquered



CNB
Country
bronze



CTB
City bronze

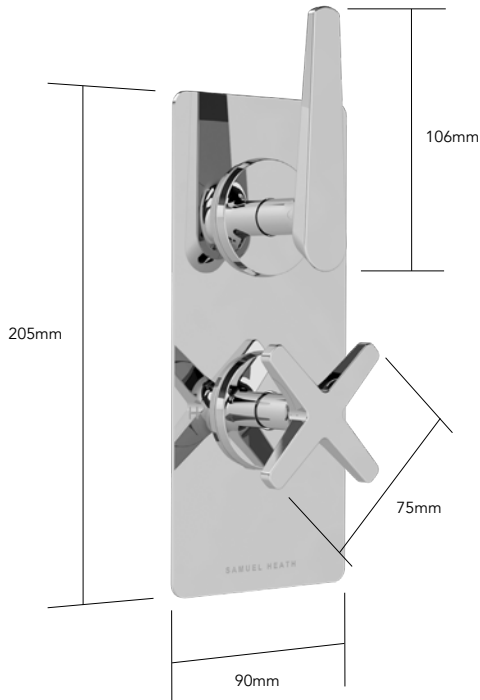


AG
Antique
gold

Classic forme Shower

T2011-TCOL Trim set for V111-IS thermostatic valve with 2-way diverter

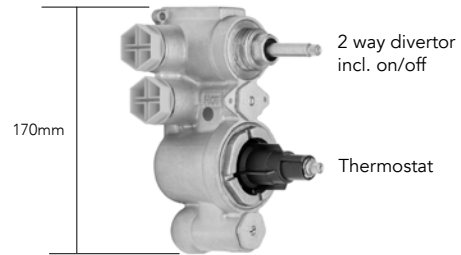
Requires V111-IS concealed valve



V111-IS Concealed thermostatic valve - rough

Requires T2011

This valve has a 2-way diverter



Classic Lever

FITTING / APPROVALS

Feeds: 1/2"
Projection of valve:
43mm

FINISH

CP	€996
PN	€1,096
SSF/NL	€1,150
BGM	€1,270
MBC	€1,398
ABM/CNB/CTB	€1,466
AG	€1,776

PRICE

FITTING / APPROVALS

Feeds: 1/2"
Fitting depth: Min 120mm - Max 131mm
from finished tiled surface to rear of fixing,
when used with T2011 trim

Extension kits are available V111-EXT
adding 25mm to fitting depth. If necessary
more than one extension kit can be used

Flow can be limited
eg. for BREEAM



FINISH

XX

PRICE

€788

FLOW RATES

0.5 bar	8.7 l/min
1.0 bar	13.0 l/min
3.0 bar	24.5 l/min

WRAS approval pending



CP
Chrome
plate



PN
Polished
nickel



SSF
Stainless steel
finish



NL
Non lacquered
brass



BGM
Brushed
gold matt
lacquered



MBC
Matt black
chrome



ABM
Antique
brass matt
lacquered



CNB
Country
bronze



CTB
City bronze

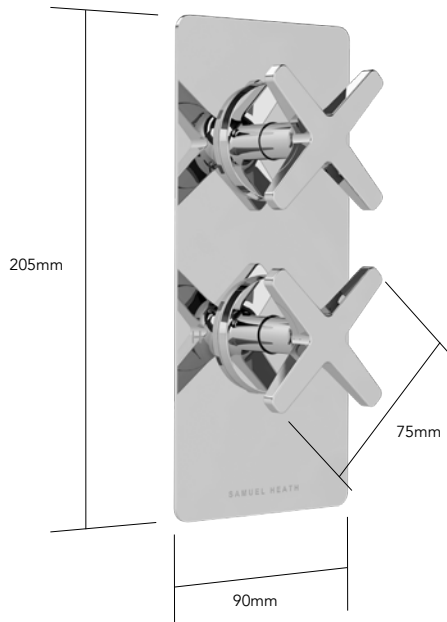


AG
Antique
gold

Classic forme Shower

T2011-TCOX Trim set for V111-IS thermostatic valve with 2-way diverter

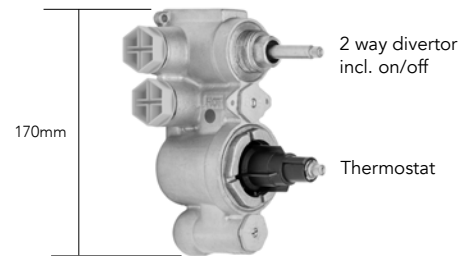
Requires V111-IS concealed valve



V111-IS Concealed thermostatic valve - rough

Requires T2011

This valve has a 2-way diverter



Classic Cross Top

FITTING / APPROVALS

Feeds: 1/2"
Projection of valve:
43mm

FINISH

CP	€996
PN	€1,096
SSF/NL	€1,150
BGM	€1,270
MBC	€1,398
ABM/CNB/CTB	€1,466
AG	€1,776

PRICE

FITTING / APPROVALS

Feeds: 1/2"
Fitting depth: Min 120mm - Max 131mm
from finished tiled surface to rear of fixing,
when used with T2011 trim

Extension kits are available V111-EXT
adding 25mm to fitting depth. If necessary
more than one extension kit can be used

Flow can be limited
eg. for BREEAM



FINISH XX

PRICE €788

FLOW RATES

0.5 bar	8.7 l/min
1.0 bar	13.0 l/min
3.0 bar	24.5 l/min

WRAS approval pending



CP
Chrome
plate



PN
Polished
nickel



SSF
Stainless steel
finish



NL
Non lacquered
brass



BGM
Brushed
gold matt
lacquered



MBC
Matt black
chrome



ABM
Antique
brass matt
lacquered



CNB
Country
bronze



CTB
City bronze



AG
Antique
gold

Classic forme Shower

T2002-TCOL Trim set for V135-IS thermostatic valve with 2 flow controls

Requires V135-IS concealed valve

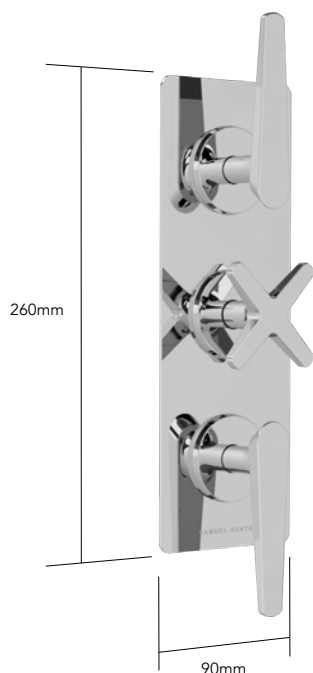
T2005-TCOL Horizontal trim set for V135-IS thermostatic valve with 2 flow controls

Requires V135-IS concealed valve

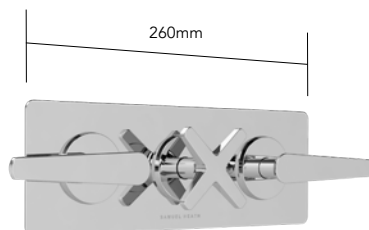
V135-IS Concealed thermostatic valve - rough

Requires T2002

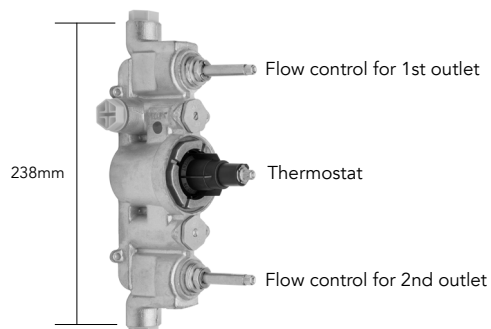
This valve has 2 controlled outlets which can operate simultaneously



Classic Lever
T2002-TCOL



Classic Lever
T2005-TCOL



FITTING / APPROVALS

Feeds: 1/2"
Projection of valve:
43mm

FINISH

CP	€1,482
PN	€1,630
SSF/NL	€1,710
BGM	€1,888
MBC	€2,078
ABM/CNB/CTB	€2,180
AG	€2,638

PRICE

FITTING / APPROVALS

Feeds: 1/2"
Fitting depth: Min 120mm - Max 131mm
from finished tiled surface to rear of fixing,
when used with T2002 trim

Extension kits are available V135-EXT
adding 25mm to fitting depth. If necessary
more than one extension kit can be used

Flow can be limited
eg. for BREEAM



FINISH

XX

PRICE

€952

FLOW RATES

0.5 bar	11.8 l/min
1.0 bar	17.2 l/min
3.0 bar	32.0 l/min

T2002-TCOL and T2005-TCOL WRAS approval pending



CP Chrome plate	PN Polished nickel	SSF Stainless steel finish	NL Non lacquered brass	BGM Brushed gold matt lacquered	MBC Matt black chrome	ABM Antique brass matt lacquered	CNB Country bronze	CTB City bronze	AG Antique gold
-----------------------	--------------------------	----------------------------------	------------------------------	--	-----------------------------	---	--------------------------	--------------------	-----------------------

Classic forme Shower

T2002-TCOX Trim set for V135-IS thermostatic valve with 2 flow controls

Requires V135-IS concealed valve

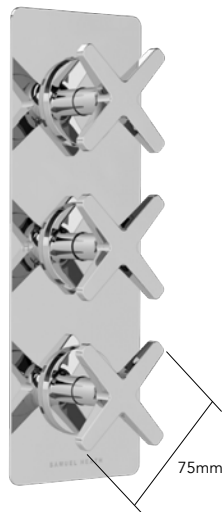
T2005-TCOX Horizontal trim set for V135-IS thermostatic valve with 2 flow controls

Requires V135-IS concealed valve

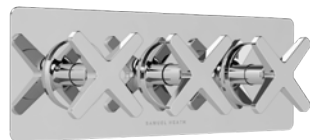
V135-IS Concealed thermostatic valve - rough

Requires T2002

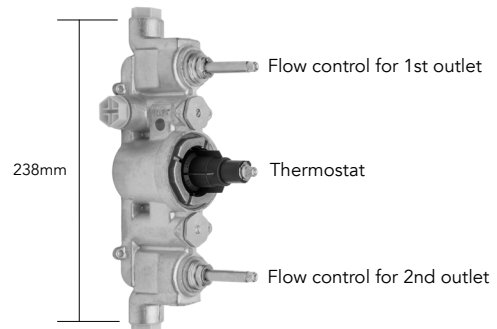
This valve has 2 controlled outlets which can operate simultaneously



Classic Cross Top
T2002-TCOX



Classic Cross Top
T2005-TCOX



FITTING / APPROVALS

Feeds: 1/2"
Projection of valve:
43mm

FINISH

CP	€1,482
PN	€1,630
SSF/NL	€1,710
BGM	€1,888
MBC	€2,078
ABM/CNB/CTB	€2,180
AG	€2,638

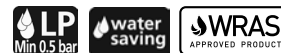
PRICE

FITTING / APPROVALS

Feeds: 1/2"
Fitting depth: Min 120mm - Max 131mm
from finished tiled surface to rear of fixing,
when used with T2002 trim

Extension kits are available V135-EXT
adding 25mm to fitting depth. If necessary
more than one extension kit can be used

Flow can be limited
eg. for BREEAM



FINISH

XX €952

FLOW RATES

0.5 bar	11.8 l/min
1.0 bar	17.2 l/min
3.0 bar	32.0 l/min

T2002-TCOX and T2005-TCOX WRAS approval pending



CP
Chrome
plate



PN
Polished
nickel



SSF
Stainless steel
finish



NL
Non lacquered
brass



BGM
Brushed
gold matt
lacquered



MBC
Matt black
chrome



ABM
Antique
brass matt
lacquered



CNB
Country
bronze



CTB
City bronze

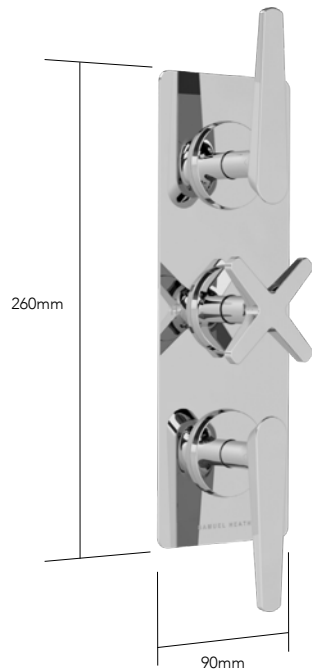


AG
Antique
gold

Classic forme Shower

T2003-TCOL Trim set for V132-IS thermostatic valve with 2-way diverter and flow control for 3rd outlet

Requires V132-IS concealed valve

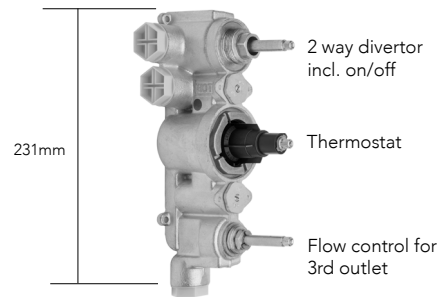


Classic Lever

V132-IS Concealed thermostatic valve - rough

Requires T2003

This valve has a two-way diverter plus an extra controlled outlet giving 3 options



FITTING / APPROVALS	FINISH	PRICE
Feeds: 1/2" Projection of valve: 43mm	CP	€1,482
	PN	€1,630
	SSF/NL	€1,710
	BGM	€1,888
	MBC	€2,078
	ABM/CNB/CTB AG	€2,180 €2,638

FITTING / APPROVALS	FINISH	PRICE
Feeds: 1/2" Fitting depth: Min 118mm - Max 129mm from finished tiled surface to rear of fixing, when used with T2003 trim	XX	€1,048

Extension kits are available V132-EXT
adding 25mm to fitting depth. If necessary
more than one extension kit can be used

Flow can be limited
eg. for BREEAM



FLOW RATES	
0.5 bar	15.0 l/min
1.0 bar	22.0 l/min
3.0 bar	40.5 l/min



CP
Chrome
plate



PN
Polished
nickel



SSF
Stainless steel
finish



NL
Non lacquered
brass



BGM
Brushed
gold matt
lacquered



MBC
Matt black
chrome



ABM
Antique
brass matt
lacquered



CNB
Country
bronze



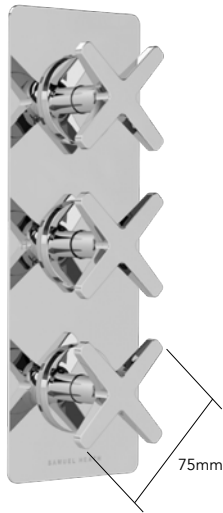
CTB
City bronze



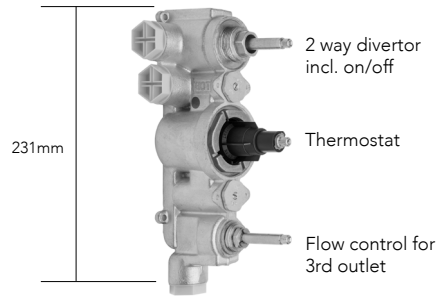
AG
Antique
gold

Classic forme Shower

T2003-TCOX Trim set for V132-IS thermostatic valve with 2-way diverter and flow control for 3rd outlet
Requires V132-IS concealed valve



V132-IS Concealed thermostatic valve - rough
Requires T2003
This valve has a two-way diverter plus an extra controlled outlet giving 3 options



Classic Cross Top

FITTING / APPROVALS	FINISH	PRICE
Feeds: 1/2" Projection of valve: 43mm	CP	€1,482
	PN	€1,630
	SSF/NL	€1,710
	BGM	€1,888
	MBC	€2,078
	ABM/CNB/CTB AG	€2,180 €2,638

FITTING / APPROVALS	FINISH	PRICE
Feeds: 1/2" Fitting depth: Min 118mm - Max 129mm from finished tiled surface to rear of fixing, when used with T2003 trim	XX	€1,048

Extension kits are available V132-EXT
 adding 25mm to fitting depth. If necessary
 more than one extension kit can be used

Flow can be limited
 eg. for BREEAM



FLOW RATES	
0.5 bar	15.0 l/min
1.0 bar	22.0 l/min
3.0 bar	40.5 l/min



CP
Chrome
plate



PN
Polished
nickel



SSF
Stainless steel
finish



NL
Non lacquered
brass



BGM
Brushed
gold matt
lacquered



MBC
Matt black
chrome



ABM
Antique
brass matt
lacquered



CNB
Country
bronze



CTB
City bronze

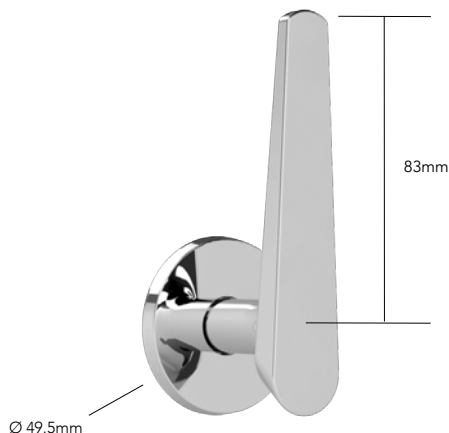


AG
Antique
gold

Classic forme Shower

T2068-COL Trim set for V168-IS concealed 3-way diverter

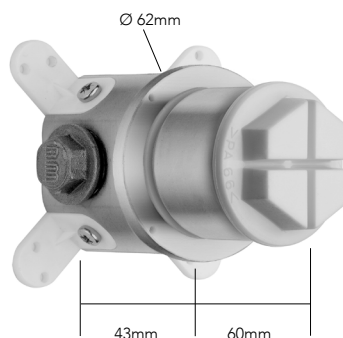
Requires V168-IS



V168-IS Concealed 3-way diverter - rough

Requires T2068

- One inlet, three outlets (one can be closed off)
- Can be used for deck mounting providing the unit is supported sufficiently



Classic Lever

FITTING / APPROVALS

Feeds: 1/2"
Projection of valve:
39mm



FINISH

CP	€482
PN	€530
SSF/NL	€558
BGM	€614
MBC	€676
ABM/CNB/CTB	€710
AG	€858

PRICE

FITTING / APPROVALS

Feeds: 1/2"
Fitting depth: Min 121mm - Max 132mm
from finished tiled surface to rear of fixing,
when used with T2068 trim

Extension kits are available V168-EXT
adding 25mm to fitting depth. If necessary
more than one extension kit can be used

Flow can be limited
eg. for BREEAM



FINISH

XX	€452
----	------

PRICE

FLOW RATES

0.1 bar	6.4 l/min
1.0 bar	20.4 l/min
3.0 bar	37.2 l/min



CP
Chrome
plate



PN
Polished
nickel



SSF
Stainless steel
finish



NL
Non lacquered
brass



BGM
Brushed
gold matt
lacquered



MBC
Matt black
chrome



ABM
Antique
brass matt
lacquered



CNB
Country
bronze



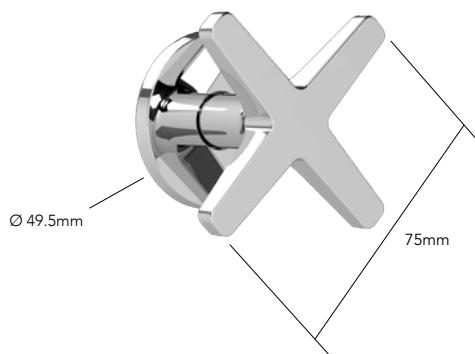
CTB
City bronze



AG
Antique
gold

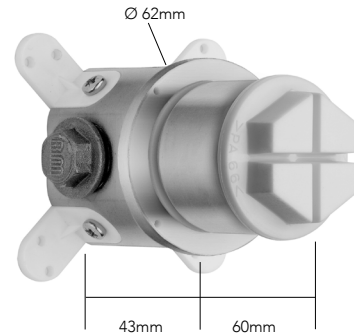
Classic forme Shower

T2068-COX Trim set for V168-IS concealed 3-way diverter
Requires V168-IS



V168-IS Concealed 3-way diverter - rough
Requires T2068

- One inlet, three outlets (one can be closed off)
- Can be used for deck mounting providing the unit is supported sufficiently



Classic Cross Top

FITTING / APPROVALS

Feeds: 1/2"
 Projection of valve:
 39mm



FINISH

CP	€482
PN	€530
SSF/NL	€558
BGM	€614
MBC	€676
ABM/CNB/CTB	€710
AG	€858

FITTING / APPROVALS

Feeds: 1/2"
 Fitting depth: Min 121mm - Max 132mm
 from finished tiled surface to rear of fixing,
 when used with T2068 trim

Extension kits are available V168-EXT
 adding 25mm to fitting depth. If necessary
 more than one extension kit can be used

Flow can be limited
 eg. for BREEM



FINISH

XX	€452
----	------

FLOW RATES

0.1 bar	6.4 l/min
1.0 bar	20.4 l/min
3.0 bar	37.2 l/min



CP
 Chrome
 plate



PN
 Polished
 nickel



SSF
 Stainless steel
 finish



NL
 Non lacquered
 brass



BGM
 Brushed
 gold matt
 lacquered



MBC
 Matt black
 chrome



ABM
 Antique
 brass matt
 lacquered



CNB
 Country
 bronze



CTB
 City bronze




AG
 Antique
 gold

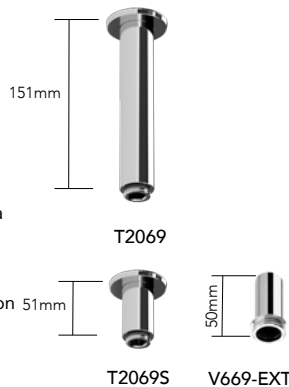
Classic forme Shower

T2062 1/2" Overhead shower arm



FITTING / APPROVALS	FINISH	PRICE
Feeds: 1/2" Max installation depth: 90.5mm Projection: 490.5mm  For WRAS approved version order T2062W	CP	€474
	PN	€522
	SSF/NL	€546
	BGM	€604
	MBC	€664
	ABM/CNB/CTB	€696
	AG	€844

T2069, T2069S, V669-EXT 1/2" Ceiling tube for shower head



FITTING / APPROVALS

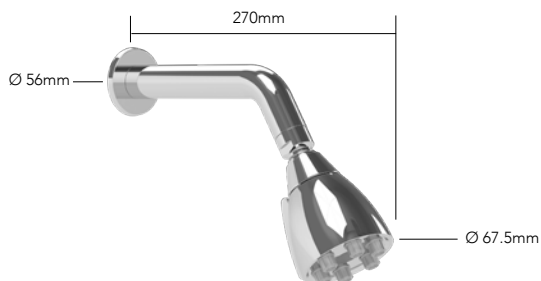
- V669-EXT extension piece can replace the 151mm tube to give a 50mm projection for fitting close to ceiling
- More than one V669-EXT extension 51mm piece can be used



For WRAS approved versions order T2069W and T2069SW

FINISH	T2069	T2069S	V669-EXT
CP	€238	€188	€98
PN	€262	€206	€96
SSF/NL	€274	€218	€110
BGM	€304	€238	€122
MBC	€332	€264	€122
ABM	€350	€276	€120
CNB/CTB	€350	€276	€120
AG	€424	€332	€134

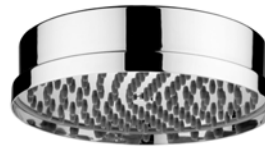
T2079 Adjustable, 6-jet easy clean shower head





FITTING / APPROVALS	FINISH	PRICE
Thread: 1/2" 	CP	€644
	PN	€706
	SSF/NL	€740
	BGM	€802
	MBC	€836
	ABM/CNB/CTB	€860
	AG	€890

V663 200mm Easy clean shower head

For swivel ball joint order V987

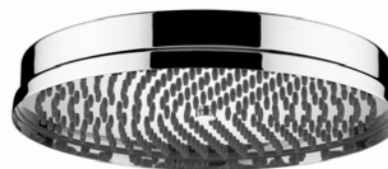




FITTING / APPROVALS	FINISH	PRICE
Thread: 1/2"   For WRAS approved version order V663W	CP	€562
	PN	€610
	SSF/NL	€634
	BGM	€694
	MBC	€718
	ABM/CNB/CTB	€754
	AG	€776

V665 300mm Easy clean shower head

For swivel ball joint order V987

Due to its weight this product is best used with a ceiling tube, or the wall mounted shower arms T2062, V262, V662, V762, and T162; the pipework and shower arms must be rigidly secured. If used with exposed pipework additional support brackets will be required



FITTING / APPROVALS	FINISH	PRICE
Thread: 1/2"   For WRAS approved version order V665W	CP	€1,028
	PN	€1,122
	SSF/NL	€1,184
	BGM	€1,276
	MBC	€1,338
	ABM/CNB/CTB	€1,382
	AG	€1,432

T2079-8 Adjustable, 8-jet easy clean shower head



FITTING / APPROVALS	FINISH	PRICE
Thread: 1/2" 	CP	€692
	PN	€740
	SSF/NL	€764
	BGM	€836
	MBC	€870
	ABM/CNB/CTB	€898
	AG	€898

Classic forme Shower


V178 200mm Easy clean shower head



FITTING / APPROVALS	FINISH	PRICE
Thread: 1/2"	CP	€324
	PN	€360
	SSF/NL	€370
	BGM	€502
	MBC	€418
	ABM/CNB/CTB	€502
	AG	€502


V378 200mm Square easy clean shower head



FITTING / APPROVALS	FINISH	PRICE
Thread: 1/2"	CP	€882
	PN	€966
	SSF/NL	€1,018

V188 200mm Easy clean shower head




FITTING / APPROVALS	FINISH	PRICE
Thread: 1/2"	CP	€656
	PN	€714
	SSF/NL	€752


 For WRAS approved version order V188W

V379 300mm Square easy clean shower head

*Due to its weight this product is best used with a ceiling tube
 If used with exposed pipework additional support brackets will be required*





FITTING / APPROVALS	FINISH	PRICE
Thread: 1/2"	CP	€1,194
	PN	€1,300
	SSF/NL	€1,360

V189 300mm Easy clean shower head

*Due to its weight this product is best used with a ceiling tube
 If used with exposed pipework additional support brackets will be required*



FITTING / APPROVALS	FINISH	PRICE
Thread: 1/2"	CP	€956
	PN	€1,048
	SSF/NL	€1,100


 For WRAS approved version order V189W

V987 Swivel ball joint

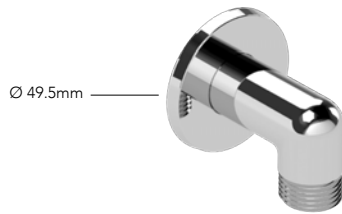
For use with V663 and V665 shower heads



FITTING / APPROVALS	FINISH	PRICE
Thread: 1/2"	CP	€98
	PN	€106
	SSF/NL	€108
	BGM	€120
	MBC	€126
	ABM/CNB/CTB	€140
	AG	€136

Classic forme Shower

T2064 Wall outlet

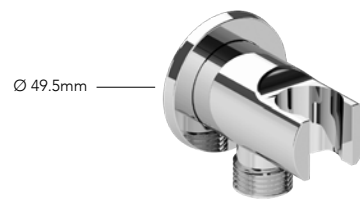


FITTING / APPROVALS	FINISH	PRICE
Feed: 1/2"	CP	€138
	PN	€150
	SSF/NL	€158
	BGM	€176
	MBC	€192
	ABM/CNB/CTB	€200
	AG	€242



For WRAS approved version order T2064W

T2066 Combined wall outlet / bracket



FITTING / APPROVALS	FINISH	PRICE
Feed: 1/2"	CP	€148
	PN	€162
	SSF/NL	€172
	BGM	€188
	MBC	€206
	ABM/CNB/CTB	€218
	AG	€264



For WRAS approved version order T2066W

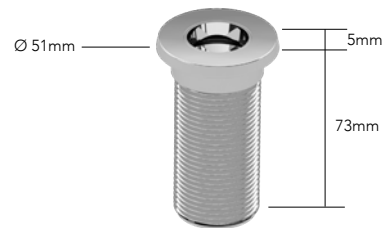
V783 Angle bracket



FITTING / APPROVALS	FINISH	PRICE
Feed: 1/2"	CP	€156
	PN	€168
	SSF/NL	€184
	BGM	€192
	MBC	€204
	ABM/CNB/CTB	€218
	AG	€230

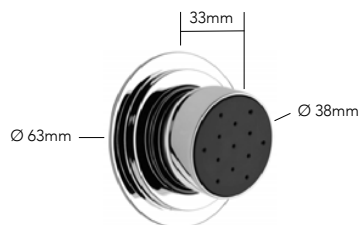


T2080 Bath boss for hand shower



FITTING / APPROVALS	FINISH	PRICE
Min drill hole: 38mm Max drill hole: 41mm	CP	€226
	PN	€246
	SSF/NL	€260
	BGM	€286
	MBC	€316
	ABM/CNB/CTB	€330
	AG	€400

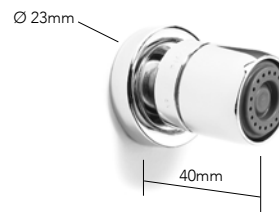
V276 Body jet (high flow)



FITTING / APPROVALS	FINISH	PRICE
Feed: 1/2"	CP	€362
	PN	€416
	SSF/NL	€416
	BGM	€452
	MBC	€472
	ABM/CNB/CTB	€520
	AG	€508

Flow rates:
0.5 bar 6.5 l/min
1.0 bar 9.3 l/min
3.0 bar 14.5 l/min

V176 Body jet



FITTING / APPROVALS	FINISH	PRICE
Feed: 1/2"	CP	€166
	PN	€182
	SSF/NL	€194
	BGM	€216
	MBC	€216
	ABM/CNB/CTB	€266
	AG	€276

Flow rates:
0.5 bar 3.0 l/min
1.0 bar 4.6 l/min
3.0 bar 8.5 l/min

Classic forme Shower

V165W, V940W, V941, V942 Hoses

FITTING / APPROVALS

Feed: 1/2"

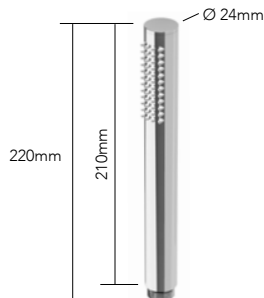


For WRAS approved versions order V165W, V940W, V941W or V942W



FINISH	V165W	V940W	V941	V942
CP	€92	€92	€98	€110
PN	€100	€100	€98	€120
SSF/NL	€104	€104	€134	€146
BGM	€114	€114	€168	€182
MBC	€116	€116	€146	€158
ABM	€120	€120	€266	€276
CNB/CTB	€120	€120	€266	€276
AG	€124	€124	€182	€192

V182 Easy clean hand shower



FITTING / APPROVALS

Thread: 1/2"

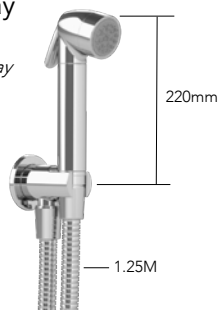


For WRAS approved version order V182W.

FINISH	PRICE
CP	€204
PN	€230
SSF/NL	€240
BGM	€276
MBC	€266
ABM/CNB/CTB	€276
AG	€286

T2066-SPR Bidet spray

We recommend the use of a flow control with this bidet spray



FITTING / APPROVALS

Feed: 1/2"



WRAS approval pending

FINISH	PRICE
CP	€492
PN	€540
SSF/NL	€568
BGM	€626
MBC	€690
ABM/CNB/CTB	€726
AG	€876

T2070-KIT Slider rail kit

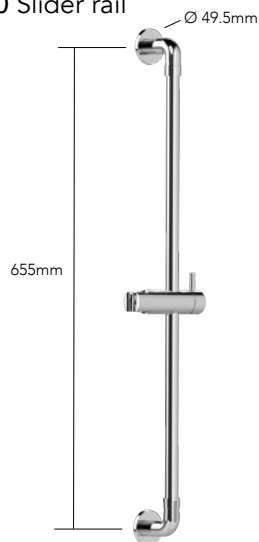


FITTING / APPROVALS

Feed: 1/2"

FINISH	PRICE
CP	€1,198
PN	€1,318
SSF/NL	€1,382
BGM	€1,528
MBC	€1,680
ABM/CNB/CTB	€1,762
AG	€2,134

T2070 Slider rail



FITTING / APPROVALS

FINISH	PRICE
CP	€820
PN	€902
SSF/NL	€946
BGM	€1,044
MBC	€1,150
ABM/CNB/CTB	€1,206
AG	€1,460

4 Hole deck mounted bath tap with Pyramid roundels in antique gold



Oriel forme

The Oriel family of Forme controls boast four distinct identities to offer further variation to basin, bath, shower or bidet solutions. All are styled in compact roundel shapes that appear suspended on deck or wall mounted application.

Groove and Oriel roundels offer fluted and geometric engravings to introduce refined pattern alongside a variety of tall, curved spouts. The Tab roundel is a soft rendition of modernist design, with smooth tab detailing designed to evoke balance and flow when applied in symmetry.

Pyramid embodies decadence with a series of miniature pyramid engraving around its diameter, encouraging highlights and shadows to interact differently with every finish.

BASIN and BIDET



T2010



T2019

WRAS approval pending.



T20K14

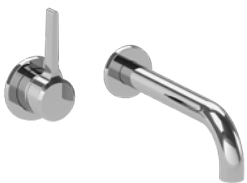
WRAS approval pending.



T20K15



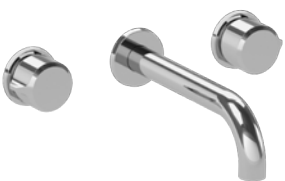
T20K16



T2020-1



T2020-2



T20K17-1



T20K17-2



BATH



T2007
WRAS approval pending.



T2042
WRAS approval pending.

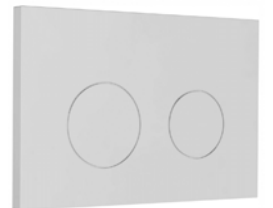


V141-SP
WRAS approval pending.



T20K36
WRAS approval pending.

WC



T20K48



T20K47



V145

V171
V172



T2077

SHOWER



T2000



T2007
WRAS approval pending.
Rough only



T2068

Rough only



T2001
WRAS approval pending.
Rough only

T2011



T2002
WRAS approval pending.
Rough only

T2003



T2005
WRAS approval pending.
Rough only



T20B1



T20B2



All Forme taps, showers and ancillaries have been submitted for WRAS approval



Tab Roundel



Bay Roundel



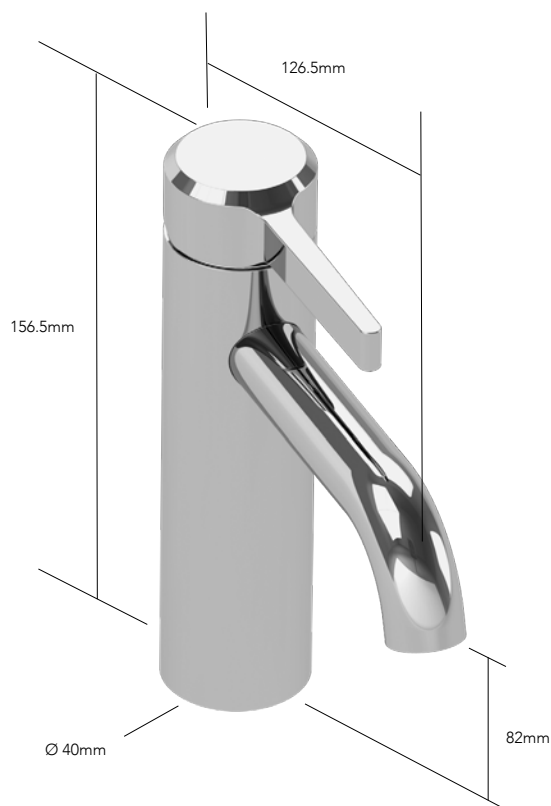
Groove Roundel



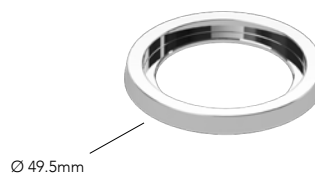
Pyramid Roundel

Oriel forme Basin

T2010-CTR Single lever basin mixer without pop-up waste
 T2010-B Optional escutcheon for tap hole diameters 30mm - 40mm



T2010-CTR



T2010-B

FITTING / APPROVALS

Feeds: 1/2"
 Max deck thickness: 40mm
 Drill hole Ø without additional
 escutcheon: 30mm - 34mm

For drill holes Ø 30mm - 40mm
 order T2010-B

FINISH

CP
 PN
 SSF/NL
 BGM
 MBC
 ABM/CNB/CTB
 AG

T2010-CTR

€1,024
 €1,126
 €1,184
 €1,308
 €1,438
 €1,508
 €1,826

T2010-B

€76
 €84
 €90
 €98
 €106
 €112
 €136



FLOW RATES

0.5 bar 1.7 l/min
 1.0 bar 2.5 l/min
 3.0 bar 4.0 l/min

Flow can be limited
 eg. for BREEAM



An optional aerator is available to improve flow rates at low pressure.
 Contact customer services for more information.



CP
 Chrome
 plate



PN
 Polished
 nickel



SSF
 Stainless steel
 finish



NL
 Non lacquered
 brass



BGM
 Brushed
 gold matt
 lacquered



MBC
 Matt black
 chrome



ABM
 Antique
 brass matt
 lacquered



CNB
 Country
 bronze



CTB
 City bronze

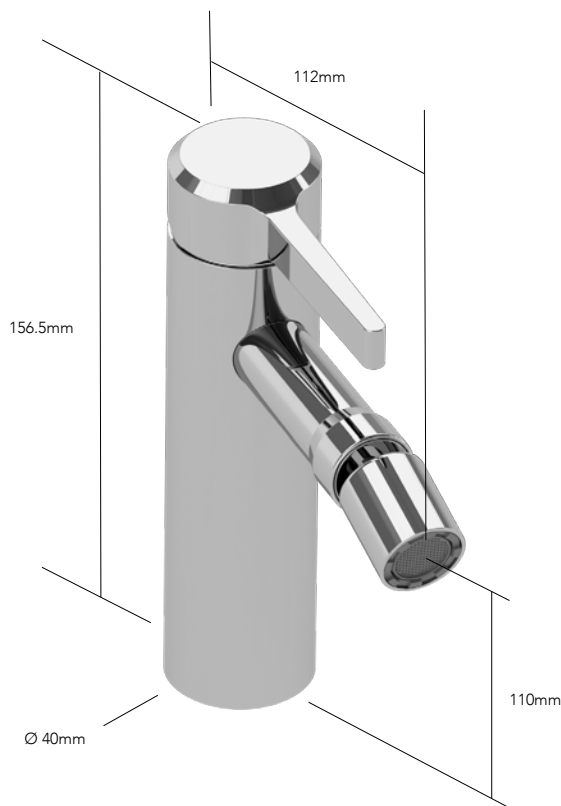


AG
 Antique
 gold

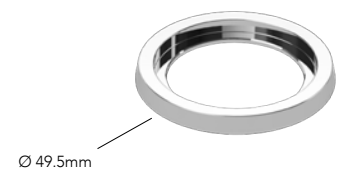
Oriel forme Basin

T2019-CTR Single lever bidet mixer without pop-up waste

T2010-B Optional escutcheon for tap hole diameters 30mm - 40mm



T2019-CTR



T2010-B

FITTING / APPROVALS

Feeds: 1/2"

Max deck thickness: 40mm

Drill hole Ø without additional escutcheon: 30mm - 34mm

For drill holes Ø 30mm - 40mm order T2010-B

FINISH

CP
PN
SSF/NL
BGM
MBC
ABM/CNB/CTB
AG

T2019-CTR

€1,072
€1,180
€1,238
€1,366
€1,502
€1,578
€1,910

T2010-B

€76
€84
€90
€98
€106
€112
€136

WRAS approval pending

FLOW RATES

Flow can be limited eg. for BREEAM

0.5 bar 4.2 l/min

1.0 bar 6.2 l/min

3.0 bar 11.8 l/min



CP
Chrome
plate



PN
Polished
nickel



SSF
Stainless steel
finish



NL
Non lacquered
brass



BGM
Brushed
gold matt
lacquered



MBC
Matt black
chrome



ABM
Antique
brass matt
lacquered



CNB
Country
bronze



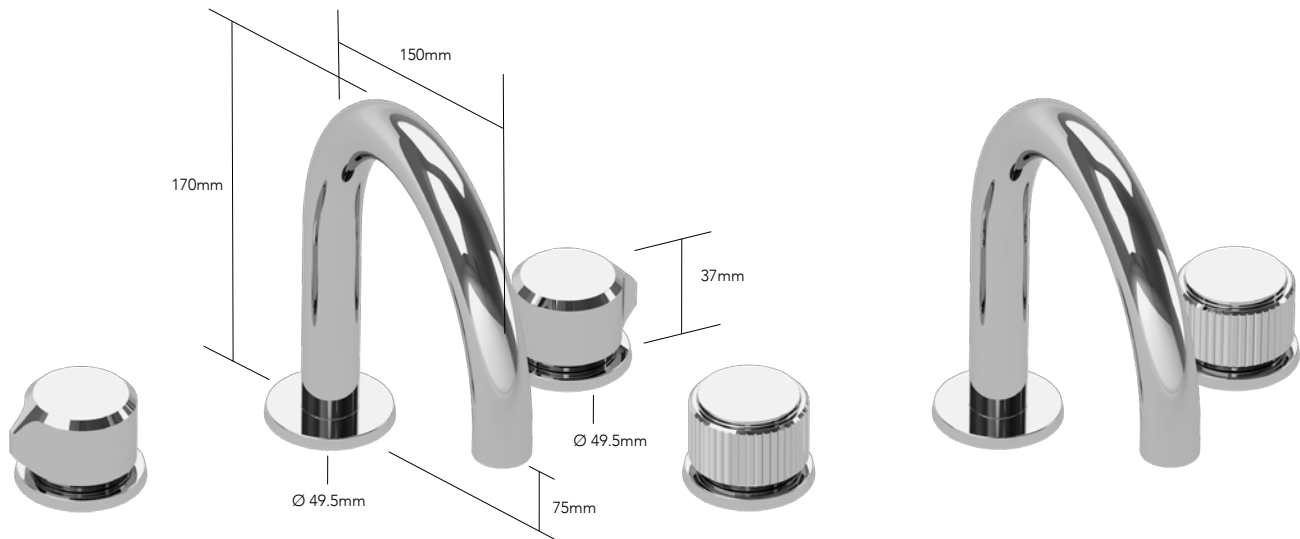
CTB
City bronze



AG
Antique
gold

Oriel forme Basin

T20K14-CTR & -CGR 3 Hole basin filler without pop-up waste, 170mm spout height



Tab Roundel
T20K14-CTR

Groove Roundel
T20K14-CGR

FITTING / APPROVALS

Feeds: 1/2"
Max deck thickness: 40mm
Max drill hole Ø side valve: 33mm
Max drill hole Ø spout: 41mm

WRAS approval pending

FINISH

CP	€1,172
PN	€1,290
SSF/NL	€1,354
BGM	€1,496
MBC	€1,646
ABM/CNB/CTB	€1,728
AG	€2,088

PRICE

FLOW RATES

Flow can be limited
eg. for BREEAM



0.5 bar 1.8 l/min
1.0 bar 2.6 l/min
3.0 bar 4.0 l/min

An optional aerator is available to improve flow rates at low pressure.
Contact customer services for more information.



CP
Chrome
plate



PN
Polished
nickel



SSF
Stainless steel
finish



NL
Non lacquered
brass



BGM
Brushed
gold matt
lacquered



MBC
Matt black
chrome



ABM
Antique
brass matt
lacquered



CNB
Country
bronze



CTB
City bronze



AG
Antique
gold

Oriel forme Basin

T20K14-COR & -CPR 3 Hole basin filler without pop-up waste, 170mm spout height



Bay Roundel
T20K14-COR

Pyramid Roundel
T20K14-CPR

FITTING / APPROVALS

Feeds: 1/2"
Max deck thickness: 40mm
Max drill hole Ø side valve: 33mm
Max drill hole Ø spout: 41mm

WRAS approval pending

FINISH

CP	€1,172
PN	€1,290
SSF/NL	€1,354
BGM	€1,496
MBC	€1,646
ABM/CNB/CTB	€1,728
AG	€2,088

PRICE

FLOW RATES Flow can be limited
0.5 bar 1.8 l/min eg. for BREEAM
1.0 bar 2.6 l/min
3.0 bar 4.0 l/min



An optional aerator is available to improve flow rates at low pressure.
Contact customer services for more information.



CP
Chrome
plate

PN
Polished
nickel

SSF
Stainless steel
finish

NL
Non lacquered
brass

BGM
Brushed
gold matt
lacquered

MBC
Matt black
chrome

ABM
Antique
brass matt
lacquered

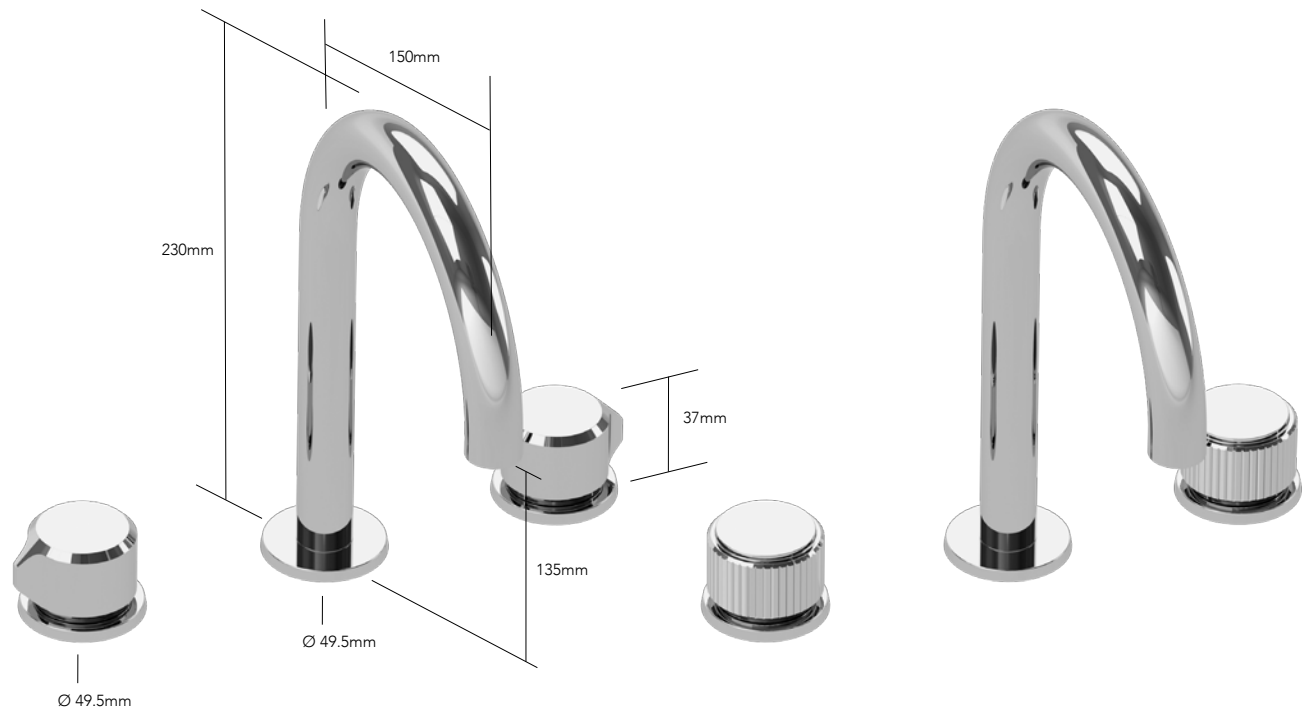
CNB
Country
bronze

CTB
City bronze

AG
Antique
gold

Oriel forme Basin

T20K15-CTR & -CGR 3 Hole basin filler without pop-up waste, 230mm spout height



Tab Roundel
T20K15-CTR

Groove Roundel
T20K15-CGR

FITTING / APPROVALS

Feeds: 1/2"
Max deck thickness: 40mm
Max drill hole Ø side valve: 33mm
Max drill hole Ø spout: 41mm



FINISH

CP	€1,210
PN	€1,332
SSF/NL	€1,398
BGM	€1,542
MBC	€1,698
ABM/CNB/CTB	€1,782
AG	€2,156

PRICE

FLOW RATES

0.5 bar 1.8 l/min
1.0 bar 2.6 l/min
3.0 bar 4.0 l/min

Flow can be limited
eg. for BREEAM



An optional aerator is available to improve flow rates at low pressure.
Contact customer services for more information.



CP
Chrome
plate



PN
Polished
nickel



SSF
Stainless steel
finish



NL
Non lacquered
brass



BGM
Brushed
gold matt
lacquered



MBC
Matt black
chrome



ABM
Antique
brass matt
lacquered



CNB
Country
bronze



CTB
City bronze



AG
Antique
gold

Oriel forme Basin

T20K15-COR & -CPR 3 Hole basin filler without pop-up waste, 230mm spout height



Bay Roundel
T20K15-COR

Pyramid Roundel
T20K15-CPR

FITTING / APPROVALS

Feeds: 1/2"
Max deck thickness: 40mm
Max drill hole Ø side valve: 33mm
Max drill hole Ø spout: 41mm



FINISH

CP	€1,210
PN	€1,332
SSF/NL	€1,398
BGM	€1,542
MBC	€1,698
ABM/CNB/CTB	€1,782
AG	€2,156

PRICE

FLOW RATES Flow can be limited
0.5 bar 1.8 l/min eg. for BREEAM
1.0 bar 2.6 l/min
3.0 bar 4.0 l/min



An optional aerator is available to improve flow rates at low pressure.
Contact customer services for more information.



CP
Chrome
plate

PN
Polished
nickel

SSF
Stainless steel
finish

NL
Non lacquered
brass

BGM
Brushed
gold matt
lacquered

MBC
Matt black
chrome

ABM
Antique
brass matt
lacquered

CNB
Country
bronze

CTB
City bronze

AG
Antique
gold

Oriel forme Basin

T20K16-CTR & -CGR 3 Hole basin filler without pop-up waste, 290mm spout height



Tab Roundel
T20K16-CTR

Groove Roundel
T20K16-CGR

FITTING / APPROVALS

Feeds: 1/2"
Max deck thickness: 40mm
Max drill hole Ø side valve: 33mm
Max drill hole Ø spout: 41mm



FINISH

CP	€1,248
PN	€1,372
SSF/NL	€1,442
BGM	€1,590
MBC	€1,750
ABM/CNB/CTB	€1,838
AG	€2,224

PRICE

FLOW RATES

0.5 bar 1.8 l/min
1.0 bar 2.6 l/min
3.0 bar 4.0 l/min

Flow can be limited
eg. for BREEAM



An optional aerator is available to improve flow rates at low pressure.
Contact customer services for more information.



CP
Chrome
plate



PN
Polished
nickel



SSF
Stainless steel
finish



NL
Non lacquered
brass



BGM
Brushed
gold matt
lacquered



MBC
Matt black
chrome



ABM
Antique
brass matt
lacquered



CNB
Country
bronze



CTB
City bronze



AG
Antique
gold

Oriel forme Basin

T20K16-COR & -CPR 3 Hole basin filler without pop-up waste, 290mm spout height



Bay Roundel
T20K16-COR

Pyramid Roundel
T20K16-CPR

FITTING / APPROVALS

Feeds: 1/2"
Max deck thickness: 40mm
Max drill hole Ø side valve: 33mm
Max drill hole Ø spout: 41mm



FINISH

CP	€1,248
PN	€1,372
SSF/NL	€1,442
BGM	€1,590
MBC	€1,750
ABM/CNB/CTB	€1,838
AG	€2,224

PRICE

FLOW RATES

0.5 bar 1.8 l/min
1.0 bar 2.6 l/min
3.0 bar 4.0 l/min

Flow can be limited
eg. for BREEAM



An optional aerator is available to improve flow rates at low pressure.
Contact customer services for more information.



CP
Chrome
plate

PN
Polished
nickel

SSF
Stainless steel
finish

NL
Non lacquered
brass

BGM
Brushed
gold matt
lacquered

MBC
Matt black
chrome

ABM
Antique
brass matt
lacquered

CNB
Country
bronze

CTB
City bronze

AG
Antique
gold

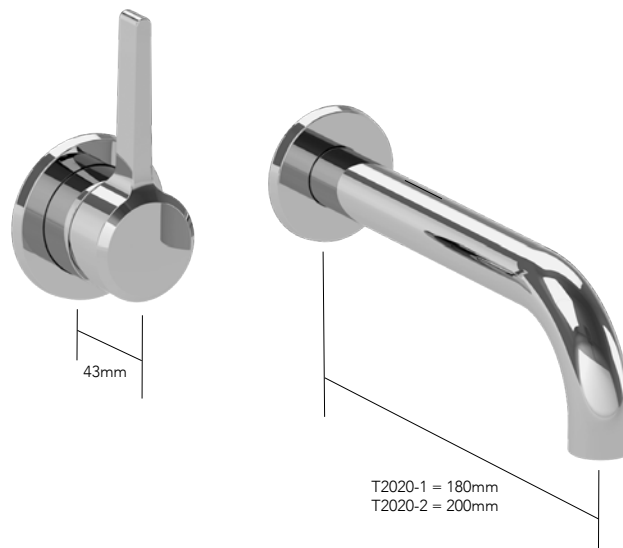
Concealed theromstatic shower with Groove roundel controls in city bronze



Oriel forme Basin

T2020-1CTR 2 Hole wall mounted basin mixer, 180mm spout length

T2020-2CTR 2 Hole wall mounted basin mixer, 200mm spout length



Oriel Lever

FITTING / APPROVALS

Installation fitting depth:
Min 63mm - Max 74mm



FINISH

	T2020-1CTR	T2020-2CTR
CP	€1,134	€1,188
PN	€1,248	€1,308
SSF/NL	€1,312	€1,372
BGM	€1,448	€1,512
MBC	€1,590	€1,664
ABM/CNB/CTB	€1,670	€1,748
AG	€2,022	€2,116

T2020-IS 2 Hole wall mounted filler rough

FITTING / APPROVALS

Feeds: 1/2"

Installation fitting depth:
Min 63mm - Max 74mm



FLOW RATES

0.5 bar 3.0 l/min
1.0 bar 4.2 l/min
3.0 bar 4.5 l/min

Flow can be limited
eg. for BREEAM

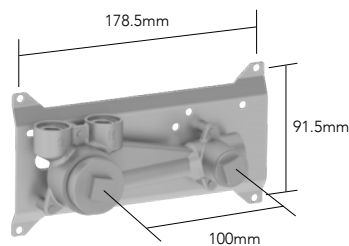


FINISH

XX

PRICE

€316



An optional aerator is available to improve flow rates at low pressure.
Contact customer services for more information.



CP
Chrome
plate

PN
Polished
nickel

SSF
Stainless steel
finish

NL
Non lacquered
brass

BGM
Brushed
gold matt
lacquered

MBC
Matt black
chrome

ABM
Antique
brass matt
lacquered

CNB
Country
bronze

CTB
City bronze

AG
Antique
gold

Oriel forme Basin

T20K17-1CTR & -1CGR 3 Hole wall mounted basin filler, 180mm spout length
 T20K17-2CTR & -2CGR 3 Hole wall mounted basin filler, 200mm spout length



FITTING / APPROVALS

Installation fitting depth:
 Min 75mm - Max 86mm

Drill holes Ø side valves:
 Min 39mm - Max 41mm

Drill holes Ø spout:
 Min 37mm - Max 42mm



FINISH

	T20K17-1	T20K17-2
CP	€1,176	€1,208
PN	€1,294	€1,330
SSF/NL	€1,360	€1,396
BGM	€1,500	€1,540
MBC	€1,650	€1,696
ABM/CNB/CTB	€1,734	€1,780
AG	€2,096	€2,154

V718-IS or V818-IS Roughs

FITTING / APPROVALS

Feeds: 3/4" female with adaptor for 1/2" female

Installation fitting depth:
 Min 75mm - Max 86mm

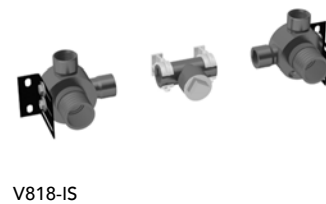
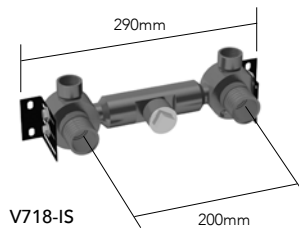
Drill holes Ø side valves:
 Min 39mm - Max 41mm

Drill holes Ø spout:
 Min 37mm - Max 42mm



FINISH

	V718-IS	V818-IS
XX	€400	€400



FLOW RATES

0.5 bar 1.8 l/min
 1.0 bar 2.6 l/min
 3.0 bar 4.0 l/min

Flow can be limited eg. for BREEAM



An optional aerator is available to improve flow rates at low pressure. Contact customer services for more information.



CP
 Chrome plate

PN
 Polished nickel

SSF
 Stainless steel finish

NL
 Non lacquered brass

BGM
 Brushed gold matt lacquered

MBC
 Matt black chrome

ABM
 Antique brass matt lacquered

CNB
 Country bronze

CTB
 City bronze

AG
 Antique gold

Orielforme Basin

T20K17-1COR & -1CPR 3 Hole wall mounted basin filler, 180mm spout length
 T20K17-2COR & -2CPR 3 Hole wall mounted basin filler, 200mm spout length



Bay Roundel
T20K17-COR

Pyramid Roundel
T20K17-CPR

FITTING / APPROVALS

Installation fitting depth:
Min 75mm - Max 86mm

Drill holes Ø side valves:
Min 39mm - Max 41mm

Drill holes Ø spout:
Min 37mm - Max 42mm



FINISH

	T20K17-1COR	T20K17-2COR
CP	€1,176	€1,208
PN	€1,294	€1,330
SSF/NL	€1,360	€1,396
BGM	€1,500	€1,540
MBC	€1,650	€1,696
ABM/CNB/CTB	€1,734	€1,780
AG	€2,096	€2,154

V718-IS or V818-IS Roughs

FITTING / APPROVALS

Feeds: 3/4" female with adaptor for 1/2" female

Installation fitting depth:
Min 75mm - Max 86mm

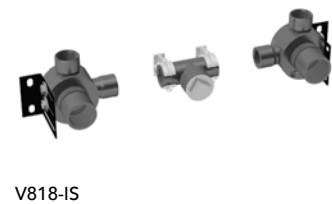
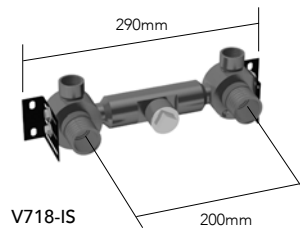
Drill holes Ø side valves:
Min 39mm - Max 41mm

Drill holes Ø spout:
Min 37mm - Max 42mm



FINISH

	V718-IS	V818-IS
XX	€400	€400



FLOW RATES

0.5 bar 1.8 l/min
 1.0 bar 2.6 l/min
 3.0 bar 4.0 l/min

Flow can be limited eg. for BREEAM



An optional aerator is available to improve flow rates at low pressure. Contact customer services for more information.



CP
Chrome plate

PN
Polished nickel

SSF
Stainless steel finish

NL
Non lacquered brass

BGM
Brushed gold matt lacquered

MBC
Matt black chrome

ABM
Antique brass matt lacquered

CNB
Country bronze

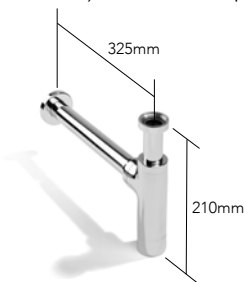
CTB
City bronze

AG
Antique gold

Oriel forme Basin

V193 1 1/4" Basin bottle trap

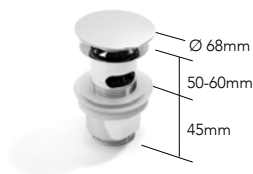
500mm Extension tube available, order V193-500 (tube only) - Prices TBA



FINISH	PRICE
CP	€276
PN	€306
SSF/NL	€318
BGM	€370
MBC	€358
ABM/CNB/CTB	€370
AG	€386

V192 1 1/4" Basin click-clack waste, slotted

For free-flow please order V192-FF



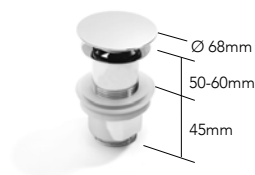
FINISH	PRICE
CP	€96
PN	€146
SSF/NL	€146
BGM	€156
MBC	€168
ABM/CNB/CTB	€168
AG	€166

VA60 1 1/4" Basin waste with metal plug, chain and stay



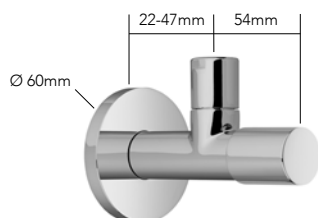
FINISH	PRICE
CP	€132
PN	€144
SSF/NL	€150
AG	€184

V192-UNS 1 1/4" Basin click-clack waste, unslotted



FINISH	PRICE
CP	€96
PN	€146
SSF/NL	€146
BGM	€156
MBC	€168
ABM/CNB/CTB	€168
AG	€166

V190 Angle valve



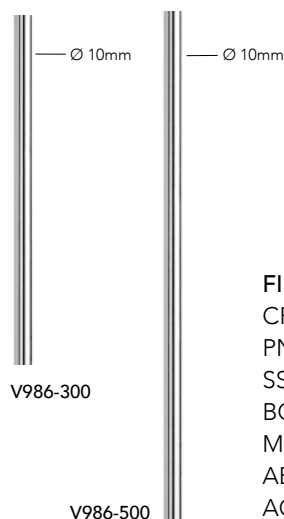
FITTING / APPROVALS

Thread: 1/2"
Outlet: 3/8" or 10mm



FINISH	PRICE
CP	€166
PN	€182
SSF/NL	€250
BGM	€286
MBC	€266
ABM/CNB/CTB	€286
AG	€300

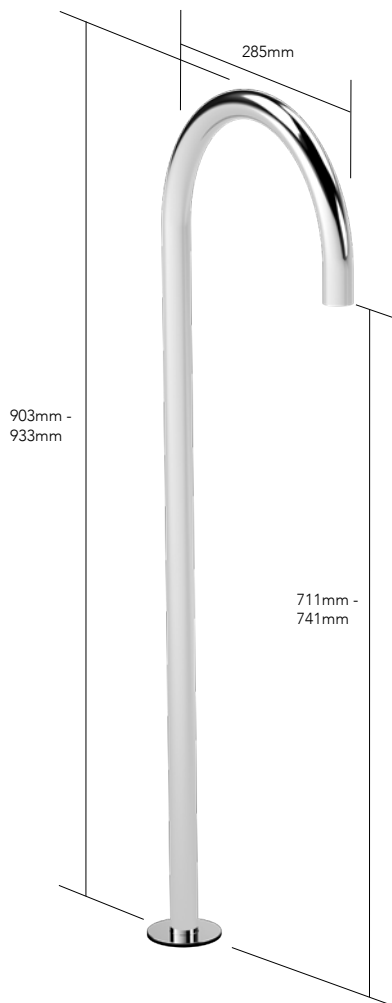
V986-300 300mm Tube V986-500 500mm Tube



FINISH	-300	-500
CP	€92	€122
PN	€98	€132
SSF/NL	€102	€140
BGM	€110	€150
MBC	€114	€156
ABM/CNB/CTB	€120	€162
AG	€124	€172

V141-SP Free-standing bath spout

Requires V141-IS and separate flow controls eg T20K42, T2007 or T2001 if thermostatic control is preferred



FITTING / APPROVALS

Outlet Height:
Min 711mm - Max 741mm.
30mm outlet height adjustment
is achieved by modifying the
depth of the installation kit in
the floor

WRAS approval pending

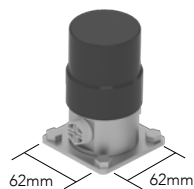
FINISH

CP	€1,362
PN	€1,498
SSF/NL	€1,572
BGM	€2,426
MBC	€1,910
ABM/CNB/CTB	€2,004
AG	€2,426

PRICE

V141-IS Installation system for free-standing bath spout

Requires V141-SP



FITTING / APPROVALS

Feeds: 1/2"
Installation fitting depth:
Min 80mm - Max 110mm

WRAS approval pending

FINISH

XX	€480
----	------

PRICE



CP
Chrome
plate



PN
Polished
nickel



SSF
Stainless steel
finish



NL
Non lacquered
brass



BGM
Brushed
gold matt
lacquered



MBC
Matt black
chrome



ABM
Antique
brass matt
lacquered



CNB
Country
bronze



CTB
City bronze



AG
Antique
gold

4 Hole deck mounted bath tap with Pyramid roundels in antique gold



T20K36-CTR Floor mounted single lever bath / shower mixer

Requires V736-IS

Oriel Lever

FITTING / APPROVALS

FLOW RATES

Min 3.0 Bar
3.0 bar 23.2 l/min



WRAS approval pending

FINISH

FINISH	PRICE
CP	€5,926
PN	€6,520
SSF/NL	€7,102
BGM	€6,086
MBC	€7,706
ABM/CNB/CTB	€8,006
AG	€8,472

PRICE



V736-IS Floor rough for single lever bath / shower mixer

Requires T20K36

FITTING / APPROVALS

Feeds: 1/2" female with adaptor for 1/2" female

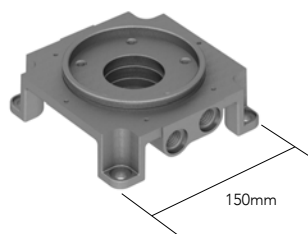
Installation fitting depth:
Min 99.5mm - Max 159mm



FINISH

FINISH	PRICE
XX	€1,480

PRICE



CP
Chrome
plate



PN
Polished
nickel



SSF
Stainless steel
finish



NL
Non lacquered
brass



BGM
Brushed
gold matt
lacquered



MBC
Matt black
chrome



ABM
Antique
brass matt
lacquered



CNB
Country
bronze



CTB
City bronze



AG
Antique
gold

Oriel forme Bath

T20K48-CTR & -CGR 4 Hole bath filler, 180mm spout length



Tab Roundel



Groove Roundel

FITTING / APPROVALS

Feeds: 3/4"
 Max deck thickness: 50mm
 Drill hole Ø side valve: Min 36mm - Max 41mm
 Drill hole Ø spout: Min 36mm - Max 41mm
 Drill hole Ø hand shower: Min 38mm - Max 41mm



FINISH

FINISH	PRICE
CP	€2,596
PN	€2,856
SSF/NL	€3,000
BGM	€3,310
MBC	€3,642
ABM/CNB/CTB	€3,822
AG	€4,628

FLOW RATES

1.0 bar 24.4 l/min
 3.0 bar 45.0 l/min



Oriel forme Bath

T20K48-COR & -CPR 4 Hole bath filler, 180mm spout length



Bay Roundel



Pyramid Roundel

FITTING / APPROVALS

Feeds: 3/4"
 Max deck thickness: 50mm
 Drill hole Ø side valve: Min 36mm - Max 41mm
 Drill hole Ø spout: Min 36mm - Max 41mm
 Drill hole Ø hand shower: Min 38mm - Max 41mm



FLOW RATES

1.0 bar 24.4 l/min
 3.0 bar 45.0 l/min

FINISH

CP	€2,596
PN	€2,856
SSF/NL	€3,000
BGM	€3,310
MBC	€3,642
ABM/CNB/CTB	€3,822
AG	€4,628

PRICE



CP
Chrome
plate

PN
Polished
nickel

SSF
Stainless steel
finish

NL
Non lacquered
brass

BGM
Brushed
gold matt
lacquered

MBC
Matt black
chrome

ABM
Antique
brass matt
lacquered

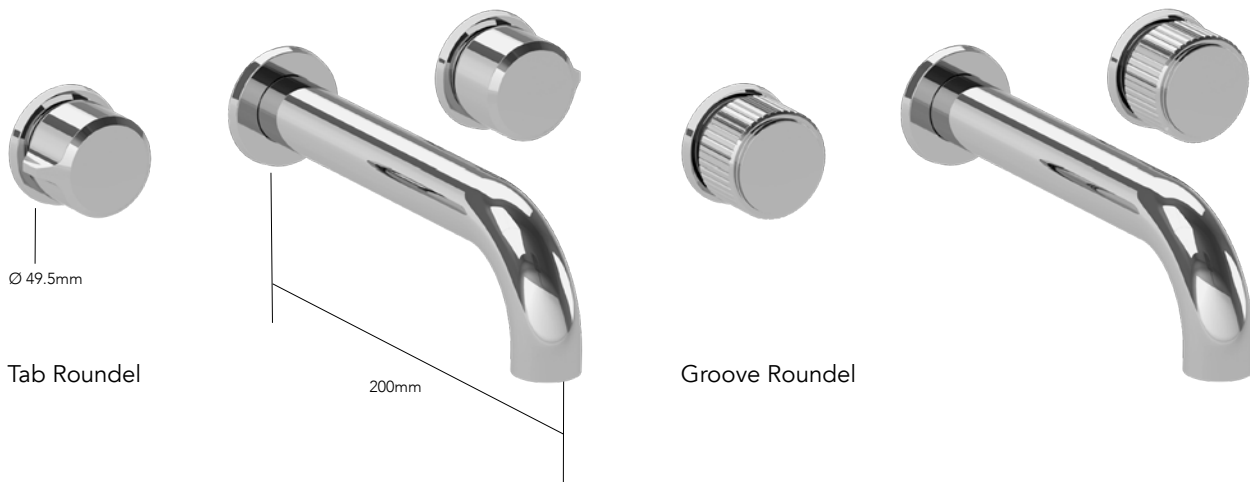
CNB
Country
bronze

CTB
City bronze

AG
Antique
gold

Oriel forme Bath

T20K47-CTR & -CGR 3 Hole wall mounted bath filler, 200mm spout length



FITTING / APPROVALS

Installation fitting depth:
Min 75mm - Max 86mm

Drill holes Ø side valves:
Min 39mm - Max 41mm

Drill holes Ø spout:
Min 28mm - Max 45mm



FINISH

FINISH	PRICE
CP	€1,462
PN	€1,610
SSF/NL	€1,690
BGM	€1,864
MBC	€2,050
ABM/CNB/CTB	€2,154
AG	€2,604

V718-IS or V818-IS Roughs

FITTING / APPROVALS

Feeds: 3/4" female with adaptor for 1/2" female

Installation fitting depth:
Min 75mm - Max 86mm

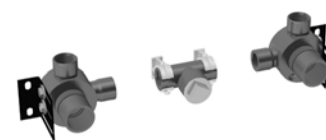
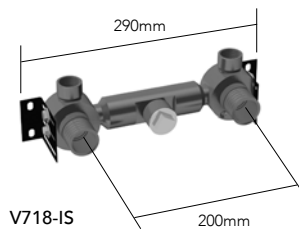
Drill holes Ø side valves:
Min 39mm - Max 41mm

Drill holes Ø spout:
Min 37mm - Max 42mm



FINISH

FINISH	V718-IS	V818-IS
XX	€400	€400



V818-IS

FLOW RATES

0.5 bar 25.2 l/min

1.0 bar 36.5 l/min

3.0 bar 67.3 l/min



CP
Chrome
plate

PN
Polished
nickel

SSF
Stainless steel
finish

NL
Non lacquered
brass

BGM
Brushed
gold matt
lacquered

MBC
Matt black
chrome

ABM
Antique
brass matt
lacquered

CNB
Country
bronze

CTB
City bronze

AG
Antique
gold

Oriel forme Bath

T20K47-COR & -CPR 3 Hole wall mounted bath filler, 200mm spout length



Bay Roundel

Pyramid Roundel

FITTING / APPROVALS

Installation fitting depth:
Min 75mm - Max 86mm

Drill holes Ø side valves:
Min 39mm - Max 41mm

Drill holes Ø spout:
Min 28mm - Max 45mm



FINISH

FINISH	PRICE
CP	€1,462
PN	€1,610
SSF/NL	€1,690
BGM	€1,864
MBC	€2,050
ABM/CNB/CTB	€2,154
AG	€2,604

V718-IS or V818-IS Roughs

FITTING / APPROVALS

Feeds: 3/4" female with adaptor for 1/2" female

Installation fitting depth:
Min 75mm - Max 86mm

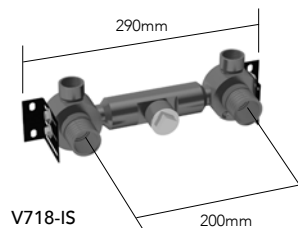
Drill holes Ø side valves:
Min 39mm - Max 41mm

Drill holes Ø spout:
Min 37mm - Max 42mm



FINISH

FINISH	V718-IS	V818-IS
XX	€400	€400



V718-IS



V818-IS

FLOW RATES

0.5 bar 25.2 l/min

1.0 bar 36.5 l/min

3.0 bar 67.3 l/min



CP
Chrome
plate



PN
Polished
nickel



SSF
Stainless steel
finish



NL
Non lacquered
brass



BGM
Brushed
gold matt
lacquered



MBC
Matt black
chrome



ABM
Antique
brass matt
lacquered



CNB
Country
bronze



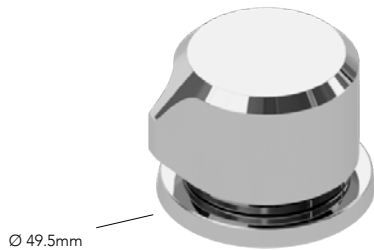
CTB
City bronze



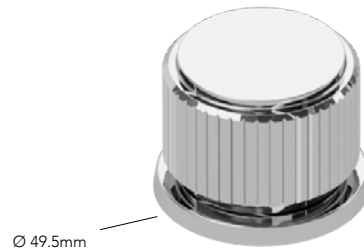
AG
Antique
gold

T20K42-CTR & -CGR Deck mounted side valves (pair)

Requires V141-SP or V145



Tab Roundel



Groove Roundel

FITTING / APPROVALS

Feeds: 3/4"

Max deck thickness: 50mm

Drill hole Ø Min 36mm - Max 41mm

FLOW RATES

0.5 bar 22.0 l/min

1.0 bar 32.0 l/min

3.0 bar 57.4 l/min



FINISH

CP	€770
PN	€848
SSF/NL	€890
BGM	€1,864
MBC	€1,078
ABM/CNB/CTB	€1,132
AG	€1,370

PRICE

WRAS approval pending



CP
Chrome
plate



PN
Polished
nickel



SSF
Stainless steel
finish



NL
Non lacquered
brass



BGM
Brushed
gold matt
lacquered



MBC
Matt black
chrome



ABM
Antique
brass matt
lacquered



CNB
Country
bronze



CTB
City bronze

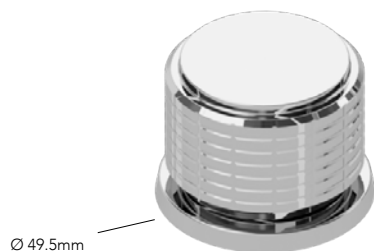


AG
Antique
gold

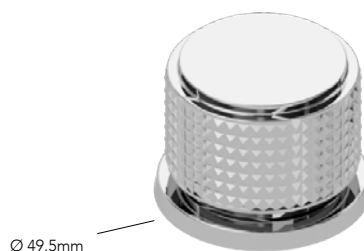
Oriel forme Bath

T20K42-COR & -CPR Deck mounted side valves (pair)

Requires V141-SP or V145



Bay Roundel



Pyramid Roundel

FITTING / APPROVALS

Feeds: 3/4"

Max deck thickness: 50mm

Drill hole Ø Min 36mm - Max 41mm

FLOW RATES

0.5 bar 22.0 l/min

1.0 bar 32.0 l/min

3.0 bar 57.4 l/min



FINISH

CP	€770
PN	€848
SSF/NL	€890
BGM	€1,864
MBC	€1,078
ABM/CNB/CTB	€1,132
AG	€1,370

PRICE

WRAS approval pending



CP
Chrome
plate



PN
Polished
nickel



SSF
Stainless steel
finish



NL
Non lacquered
brass



BGM
Brushed
gold matt
lacquered



MBC
Matt black
chrome



ABM
Antique
brass matt
lacquered



CNB
Country
bronze



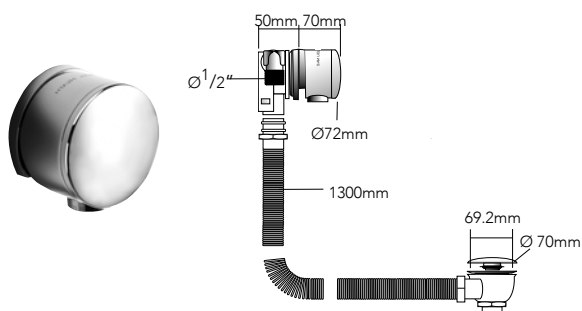
CTB
City bronze



AG
Antique
gold

Oriel forme Bath

V145 Overflow filler (high pressure) with click waste



FITTING / APPROVALS

For baths up to 8mm thick.
For baths 8mm-30mm
thick please order extra
V145-EXT

FLOW RATES

0.5 bar 13.0 l/min
1.0 bar 19.0 l/min
3.0 bar 35.0 l/min



FINISH

CP
PN
SSF/NL
BGM
MBC
ABM/CNB/CTB
AG

PRICE

€644
€704
€742
€870
€834
€872
€908

V145-EXT €122

T2046 Wall mounted bath spout, 200mm long

Requires V758-IS



FITTING / APPROVALS

Installation fitting depth:
Min 84mm - Max 98mm



FINISH

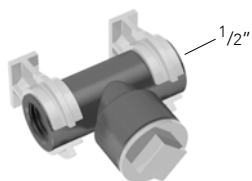
CP
PN
SSF/NL
BGM
MBC
ABM/CNB/CTB
AG

PRICE

€606
€666
€700
€772
€850
€892
€1,078

V758-IS Spout rough for T2046

Requires T2046



FITTING / APPROVALS

Feeds: 1/2"



FINISH

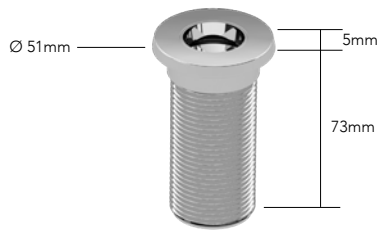
XX

PRICE

€166

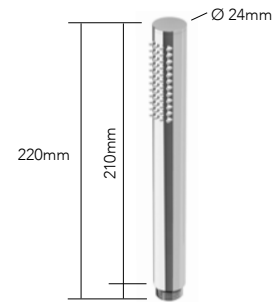
Orielforme Bath

T2080 Bath boss for hand shower



FITTING / APPROVALS	FINISH	PRICE
Min drill hole: 38mm Max drill hole: 41mm	CP	€226
	PN	€246
	SSF/NL	€260
	BGM	€286
	MBC	€316
	ABM/CNB/CTB	€330
	AG	€400

V182 Easy clean hand shower



FITTING / APPROVALS	FINISH	PRICE
Thread: 1/2"	CP	€204
	PN	€230
	SSF/NL	€240
	BGM	€276
	MBC	€266
	ABM/CNB/CTB	€276
	AG	€286



For WRAS approved version order V182W.

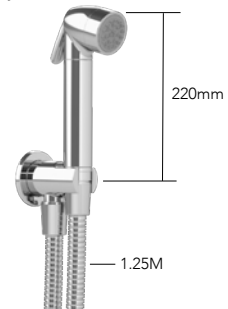
V783 Angle bracket



FITTING / APPROVALS	FINISH	PRICE
Feed: 1/2"	CP	€156
	PN	€168
	SSF/NL	€184
	BGM	€192
	MBC	€204
	ABM/CNB/CTB	€218
	AG	€230

T2066-SPR Bidet spray

We recommend the use of a flow control with this bidet spray



FITTING / APPROVALS	FINISH	PRICE
Feed: 1/2"	CP	€492
	PN	€540
	SSF/NL	€568
	BGM	€626
	MBC	€690
	ABM/CNB/CTB	€726
	AG	€876



WRAS approval pending

V165W, V940W, V941, V942 Hoses

FITTING / APPROVALS

Feed: 1/2"

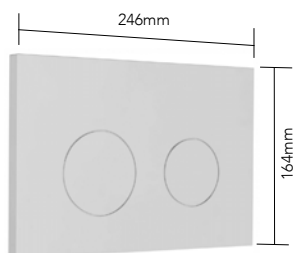


For WRAS approved versions order V165W, V940W, V941W or V942W



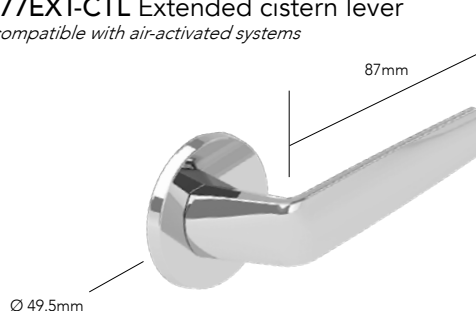
FINISH	V165W	V940W	V941	V942
CP	€92	€92	€98	€110
PN	€100	€100	€98	€120
SSF/NL	€104	€104	€134	€146
BGM	€114	€114	€168	€182
MBC	€116	€116	€146	€158
ABM	€120	€120	€266	€276
CNB/CTB	€120	€120	€266	€276
AG	€124	€124	€182	€192

V171 WC Dual flush plate to suit Geberit Sigma concealed cistern



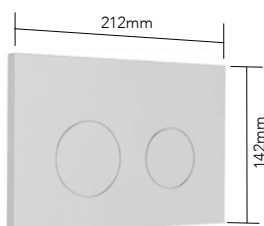
FINISH	PRICE
CP	€1,922
PN	€2,002
SSF/NL	€2,070
BGM	€2,112
MBC	€2,126
ABM/CNB/CTB	€2,138
AG	€2,274

T2077-CTL Cistern lever T2077EXT-CTL Extended cistern lever *Not compatible with air-activated systems*



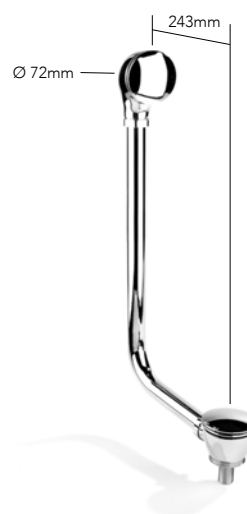
FINISH	T2077	T2077EXT
CP	€342	€448
PN	€374	€492
SSF/NL	€394	€516
BGM	€436	€570
MBC	€478	€626
ABM/CNB/CTB	€502	€658
AG	€608	€796

V172 WC Dual flush plate to suit Geberit Omega concealed cistern



FINISH	PRICE
CP	€1,922
PN	€2,002
SSF/NL	€2,070
BGM	€2,112
MBC	€2,126
ABM/CNB/CTB	€2,138
AG	€2,274

V197 Bath click-clack waste with overflow for freestanding baths



FITTING / APPROVALS

Feeds: 1 1/2"

An extended version for baths with a central waste is available

FINISH		Extended version
CP	€400	€582
PN	€442	€642
SSF/NL	€460	€670
BGM	€592	€728
MBC	€562	€756
ABM/CNB/CTB	€562	€786
AG	€562	€816

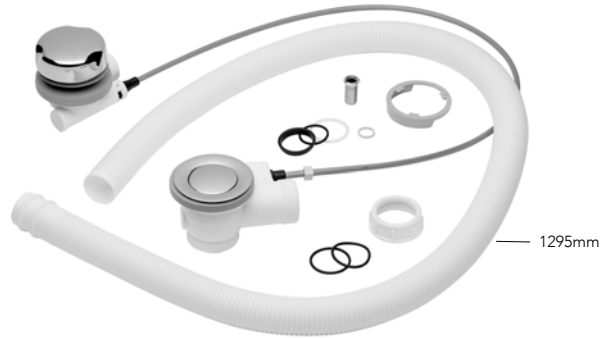
Oriel forme Bath

V392 1 1/2" Bath click-clack waste, slotted
 V392-UNS 1 1/2" Bath click-clack waste, unslotted



FINISH	V392	V392-UNS
CP	€138	€138
PN	€146	€146
SSF/NL	€164	€164
BGM	€174	€174
MBC	€242	€242
ABM/CNB/CTB	€240	€240
AG	€192	€192

VA67 1 1/2" Auto pop-up waste, extended for large baths



FITTING / APPROVALS	FINISH	PRICE
Feeds: 1 1/2"	CP	€322
	PN	€352
	SSF/NL	€368
	BGM	€400
	MBC	€412
	ABM/CNB/CTB	€430
	AG	€446

VA65 1 1/2" Combined bath waste and overflow with metal plug and chain



FITTING / APPROVALS	FINISH	PRICE
Feeds: 1 1/2"	CP	€164
	PN	€180
	SSF/NL	€250
	BGM	€250
	MBC	€250
	ABM/CNB/CTB	€278
	AG	€228

V195 Low P trap for freestanding bath



FITTING / APPROVALS	FINISH	PRICE
Feeds: 1 1/2"	CP	€134
	PN	€166
	SSF/NL	€192
	AG	€202

VA66 1 1/2" Auto pop-up waste



FITTING / APPROVALS	FINISH	PRICE
Feeds: 1 1/2"	CP	€292
	PN	€322
	SSF/NL	€334
	BGM	€366
	MBC	€376
	ABM/CNB/CTB	€394
	AG	€408

Oriel forme Shower

T20B2CTR 1/2" Concealed thermostatic shower,
2 flow controls

Requires V135-IS concealed valve



Tab Roundel

FITTING / APPROVALS

Feeds: 1/2"
Projection of valve:
43mm

FINISH

CP	€2,724
PN	€2,998
SSF/NL	€3,168
BGM	€3,624
MBC	€3,774
ABM/CNB/CTB	€4,134
AG	€4,712

PRICE

FITTING / APPROVALS

Feeds: 1/2"
Fitting depth: Min 120mm - Max 130mm
from finished tiled surface to rear of fixing,
when used with T20B2 trim

Extension kits are available V135-EXT
adding 25mm to fitting depth. If necessary
more than one extension kit can be used

Flow can be limited
eg. for BREEAM

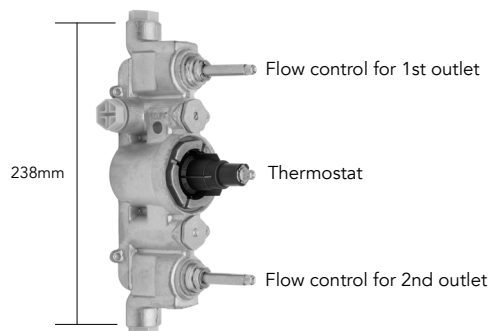


FINISH

XX	€952
----	------

FLOW RATES

0.5 bar	11.8 l/min
1.0 bar	17.2 l/min
3.0 bar	32.0 l/min



CP
Chrome
plate



PN
Polished
nickel



SSF
Stainless steel
finish



NL
Non lacquered
brass



BGM
Brushed
gold matt
lacquered



MBC
Matt black
chrome



ABM
Antique
brass matt
lacquered



CNB
Country
bronze



CTB
City bronze



AG
Antique
gold

Oriel forme Shower

T20B2CGR 1/2" Concealed thermostatic shower,
2 flow controls

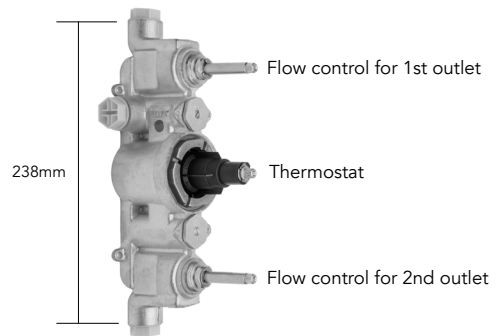
Requires V135-IS concealed valve



V135-IS Concealed thermostatic valve - rough

Requires T20B2

This valve has 2 controlled outlets which can operate simultaneously



Groove Roundel

FITTING / APPROVALS

Feeds: 1/2"
Projection of valve:
43mm

FINISH

CP	€2,724
PN	€2,998
SSF/NL	€3,168
BGM	€3,624
MBC	€3,774
ABM/CNB/CTB	€4,134
AG	€4,712

PRICE

FITTING / APPROVALS

Feeds: 1/2"
Fitting depth: Min 120mm - Max 130mm
from finished tiled surface to rear of fixing,
when used with T20B2 trim

Extension kits are available V135-EXT
adding 25mm to fitting depth. If necessary
more than one extension kit can be used

Flow can be limited
eg. for BREEAM



FINISH

XX €952

FLOW RATES

0.5 bar	11.8 l/min
1.0 bar	17.2 l/min
3.0 bar	32.0 l/min



CP
Chrome
plate



PN
Polished
nickel



SSF
Stainless steel
finish



NL
Non lacquered
brass



BGM
Brushed
gold matt
lacquered



MBC
Matt black
chrome



ABM
Antique
brass matt
lacquered



CNB
Country
bronze



CTB
City bronze



AG
Antique
gold

Oriel forme Shower

T20B2COR 1/2" Concealed thermostatic shower, 2 flow controls

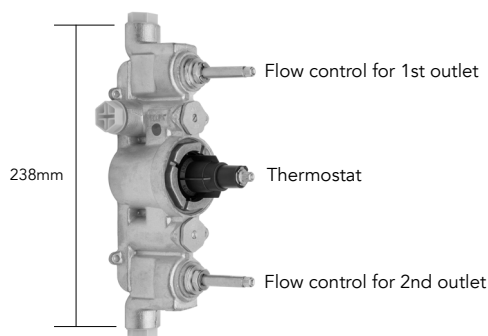
Requires V135-IS concealed valve



V135-IS Concealed thermostatic valve - rough

Requires T20B2

This valve has 2 controlled outlets which can operate simultaneously



Bay Roundel

FITTING / APPROVALS

Feeds: 1/2"
Projection of valve:
43mm

FINISH

CP	€2,724
PN	€2,998
SSF/NL	€3,168
BGM	€3,624
MBC	€3,774
ABM/CNB/CTB	€4,134
AG	€4,712

PRICE

FITTING / APPROVALS

Feeds: 1/2"
Fitting depth: Min 120mm - Max 130mm
from finished tiled surface to rear of fixing,
when used with T20B2 trim

FINISH

XX

PRICE

€952

Extension kits are available V135-EXT
adding 25mm to fitting depth. If necessary
more than one extension kit can be used

Flow can be limited
eg. for BREEAM



FLOW RATES

0.5 bar	11.8 l/min
1.0 bar	17.2 l/min
3.0 bar	32.0 l/min



CP
Chrome
plate



PN
Polished
nickel



SSF
Stainless steel
finish



NL
Non lacquered
brass



BGM
Brushed
gold matt
lacquered



MBC
Matt black
chrome



ABM
Antique
brass matt
lacquered



CNB
Country
bronze



CTB
City bronze



AG
Antique
gold

Oriel forme Shower

T20B2CPR 1/2" Concealed thermostatic shower,
2 flow controls

Requires V135-IS concealed valve



Pyramid Roundel

FITTING / APPROVALS

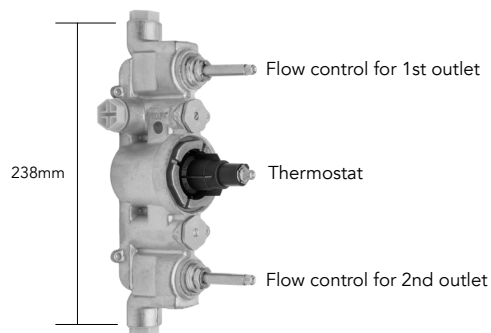
Feeds: 1/2"
Projection of valve:
43mm

FINISH	PRICE
CP	€2,724
PN	€2,998
SSF/NL	€3,168
BGM	€3,624
MBC	€3,774
ABM/CNB/CTB	€4,134
AG	€4,712

V135-IS Concealed thermostatic valve - rough

Requires T20B2

This valve has 2 controlled outlets which can operate simultaneously



FITTING / APPROVALS

Feeds: 1/2"
Fitting depth: Min 120mm - Max 130mm
from finished tiled surface to rear of fixing,
when used with T20B2 trim

Extension kits are available V135-EXT
adding 25mm to fitting depth. If necessary
more than one extension kit can be used

Flow can be limited
eg. for BREEAM



FLOW RATES

0.5 bar 11.8 l/min
1.0 bar 17.2 l/min
3.0 bar 32.0 l/min



CP
Chrome
plate



PN
Polished
nickel



SSF
Stainless steel
finish



NL
Non lacquered
brass



BGM
Brushed gold matt
lacquered



MBC
Matt black
chrome



ABM
Antique
brass matt
lacquered



CNB
Country
bronze



CTB
City bronze



AG
Antique
gold

Oriel forme Shower

T20B1CTR 1/2" Concealed thermostatic shower,
2 flow controls

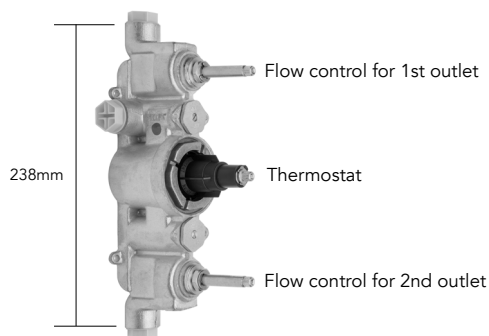
Requires V135-IS concealed valve



V135-IS Concealed thermostatic valve - rough

Requires T20B1

This valve has 2 controlled outlets which can operate simultaneously



Tab Roundel

FITTING / APPROVALS

Feeds: 1/2"
Projection of valve:
43mm

FINISH

- CP
- PN
- SSF/NL
- BGM
- MBC
- ABM/CNB/CTB
- AG

PRICE

- €3,666
- €4,030
- €4,254
- €4,822
- €5,094
- €5,518
- €6,384

FITTING / APPROVALS

Feeds: 1/2"
Fitting depth: Min 120mm - Max 130mm
from finished tiled surface to rear of fixing,
when used with T20B2 trim

FINISH

XX

PRICE

€952

Extension kits are available V135-EXT
adding 25mm to fitting depth. If necessary
more than one extension kit can be used

FLOW RATES

- 0.5 bar 11.8 l/min
- 1.0 bar 17.2 l/min
- 3.0 bar 32.0 l/min

Flow can be limited
eg. for BREEAM



CP
Chrome
plate

PN
Polished
nickel

SSF
Stainless steel
finish

NL
Non lacquered
brass

BGM
Brushed
gold matt
lacquered

MBC
Matt black
chrome

ABM
Antique
brass matt
lacquered

CNB
Country
bronze

CTB
City bronze

AG
Antique
gold

Oriel forme Shower

T20B1CGR 1/2" Concealed thermostatic shower, 2 flow controls

Requires V135-IS concealed valve

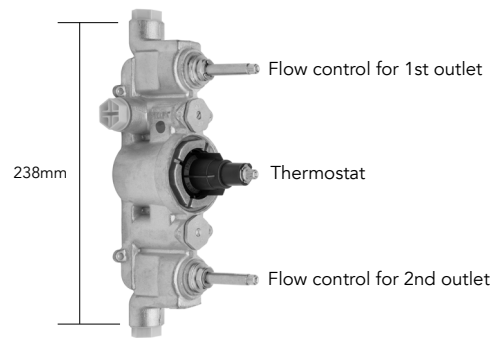


Groove Roundel

V135-IS Concealed thermostatic valve - rough

Requires T20B1

This valve has 2 controlled outlets which can operate simultaneously



FITTING / APPROVALS	FINISH	PRICE
Feeds: 1/2" Projection of valve: 43mm	CP	€3,666
	PN	€4,030
	SSF/NL	€4,254
	BGM	€4,822
	MBC	€5,094
	ABM/CNB/CTB AG	€5,518 €6,384

FITTING / APPROVALS	FINISH	PRICE
Feeds: 1/2" Fitting depth: Min 120mm - Max 130mm from finished tiled surface to rear of fixing, when used with T20B2 trim	XX	€952

Extension kits are available V135-EXT adding 25mm to fitting depth. If necessary more than one extension kit can be used

Flow can be limited eg. for BREEAM



FLOW RATES	
0.5 bar	11.8 l/min
1.0 bar	17.2 l/min
3.0 bar	32.0 l/min



Oriel forme Shower

T20B1COR 1/2" Concealed thermostatic shower,
2 flow controls

Requires V135-IS concealed valve



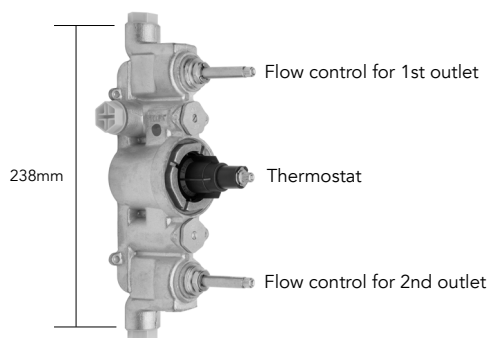
V135-IS Concealed thermostatic valve - rough

Requires T20B1

This valve has 2 controlled outlets which can operate simultaneously



Bay Roundel



FITTING / APPROVALS	FINISH	PRICE
Feeds: 1/2" Projection of valve: 43mm	CP	€3,666
	PN	€4,030
	SSF/NL	€4,254
	BGM	€4,822
	MBC	€5,094
	ABM/CNB/CTB	€5,518
	AG	€6,384

FITTING / APPROVALS	FINISH	PRICE
Feeds: 1/2" Fitting depth: Min 120mm - Max 130mm from finished tiled surface to rear of fixing, when used with T20B2 trim	XX	€952

Extension kits are available V135-EXT
adding 25mm to fitting depth. If necessary
more than one extension kit can be used

Flow can be limited
eg. for BREEAM



FLOW RATES

0.5 bar	11.8 l/min
1.0 bar	17.2 l/min
3.0 bar	32.0 l/min



Oriel forme Shower

T20B1CPR 1/2" Concealed thermostatic shower,
2 flow controls

Requires V135-IS concealed valve

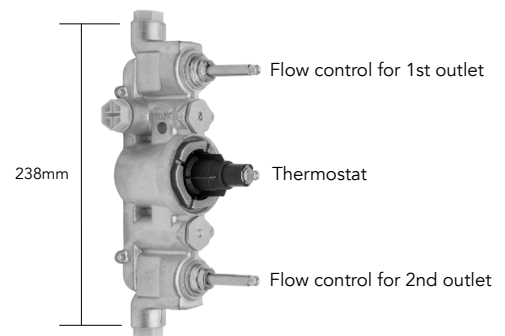


Pyramid Roundel

V135-IS Concealed thermostatic valve - rough

Requires T20B1

This valve has 2 controlled outlets which can operate simultaneously



FITTING / APPROVALS	FINISH	PRICE
Feeds: 1/2"	CP	€3,666
Max deck thickness: 40mm	PN	€4,030
Max drill hole side valve: 33mm	SSF/NL	€4,254
Max drill hole spout: 41mm	BGM	€4,822
	MBC	€5,094
	ABM/CNB/CTB	€5,518
	AG	€6,384

FITTING / APPROVALS	FINISH	PRICE
Feeds: 1/2"	XX	€952
Fitting depth: Min 120mm - Max 130mm from finished tiled surface to rear of fixing, when used with T20B2 trim		

Extension kits are available V135-EXT
adding 25mm to fitting depth. If necessary
more than one extension kit can be used

Flow can be limited
eg. for BREEAM



FLOW RATES	
0.5 bar	11.8 l/min
1.0 bar	17.2 l/min
3.0 bar	32.0 l/min



Oriel forme Shower

T2000-TCTR Trim set for V133-IS thermostatic valve

Requires V133-IS concealed valve

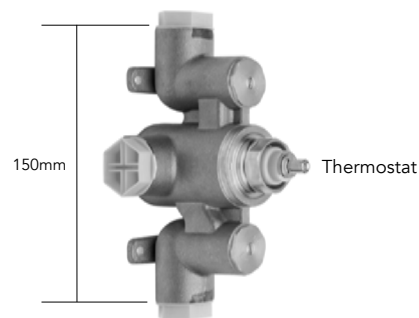


V133-IS Concealed thermostatic valve - rough

Requires T2000

This valve has 2 open outlets

Use T2007 for each



Tab Roundel

FITTING / APPROVALS

Feeds: 1/2"
Projection of valve:
39mm

FINISH

CP	€668
PN	€736
SSF/NL	€772
BGM	€852
MBC	€938
ABM/CNB/CTB	€984
AG	€1,192

PRICE

FITTING / APPROVALS

Feeds: 1/2"
Fitting depth: Min 100mm - Max 111mm
from finished tiled surface to rear of fixing,
when used with T2000 trim

Extension kits are available V133-EXT
adding 25mm to fitting depth. If necessary
more than one extension kit can be used

Flow can be limited
eg. for BREEAM



FINISH

XX €552

FLOW RATES

0.5 bar	11.6 l/min
1.0 bar	17.0 l/min
3.0 bar	31.5 l/min



CP
Chrome
plate



PN
Polished
nickel



SSF
Stainless steel
finish



NL
Non lacquered
brass



BGM
Brushed
gold matt
lacquered



MBC
Matt black
chrome



ABM
Antique
brass matt
lacquered



CNB
Country
bronze



CTB
City bronze



AG
Antique
gold

Orielform Shower

T2000-TCGR Trim set for V133-IS thermostatic valve

Requires V133-IS concealed valve

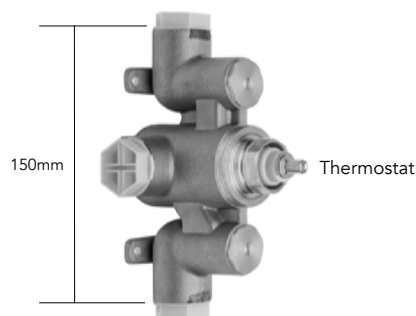


V133-IS Concealed thermostatic valve - rough

Requires T2000

This valve has 2 open outlets

Use T2007 for each



Groove Roundel

FITTING / APPROVALS

Feeds: 1/2"
Projection of valve:
39mm

FINISH

CP	€668
PN	€736
SSF/NL	€772
BGM	€852
MBC	€938
ABM/CNB/CTB	€984
AG	€1,192

PRICE

FITTING / APPROVALS

Feeds: 1/2"
Fitting depth: Min 100mm - Max 111mm
from finished tiled surface to rear of fixing,
when used with T2000 trim

Extension kits are available V133-EXT
adding 25mm to fitting depth. If necessary
more than one extension kit can be used

Flow can be limited
eg. for BREEAM



FINISH

XX €552

FLOW RATES

0.5 bar	11.6 l/min
1.0 bar	17.0 l/min
3.0 bar	31.5 l/min



CP
Chrome
plate



PN
Polished
nickel



SSF
Stainless steel
finish



NL
Non lacquered
brass



BGM
Brushed
gold matt
lacquered



MBC
Matt black
chrome



ABM
Antique
brass matt
lacquered



CNB
Country
bronze



CTB
City bronze



AG
Antique
gold

Oriel forme Shower

T2000-TCOR Trim set for V133-IS thermostatic valve

Requires V133-IS concealed valve

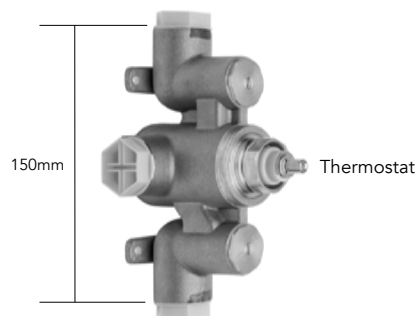


V133-IS Concealed thermostatic valve - rough

Requires T2000

This valve has 2 open outlets

Use T2007 for each



Bay Roundel

FITTING / APPROVALS	FINISH	PRICE
Feeds: 1/2" Projection of valve: 39mm	CP	€668
	PN	€736
	SSF/NL	€772
	BGM	€852
	MBC	€938
	ABM/CNB/CTB	€984
	AG	€1,192

FITTING / APPROVALS	FINISH	PRICE
	XX	€552

Feeds: 1/2"
Fitting depth: Min 100mm - Max 111mm
from finished tiled surface to rear of fixing,
when used with T2000 trim

Extension kits are available V133-EXT
adding 25mm to fitting depth. If necessary
more than one extension kit can be used

Flow can be limited
eg. for BREEAM



FLOW RATES

0.5 bar	11.6 l/min
1.0 bar	17.0 l/min
3.0 bar	31.5 l/min



CP
Chrome
plate



PN
Polished
nickel



SSF
Stainless steel
finish



NL
Non lacquered
brass



BGM
Brushed
gold matt
lacquered



MBC
Matt black
chrome



ABM
Antique
brass matt
lacquered



CNB
Country
bronze



CTB
City bronze

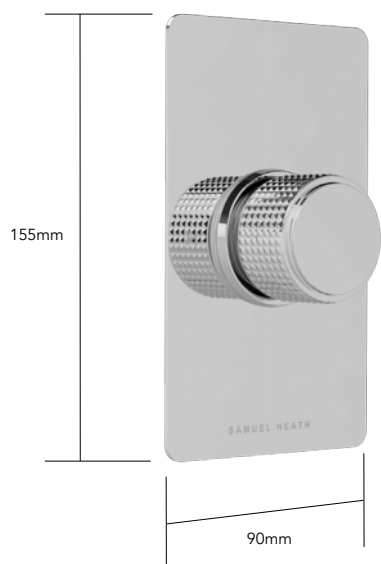


AG
Antique
gold

Oriel forme Shower

T2000-TCPR Trim set for V133-IS thermostatic valve

Requires V133-IS concealed valve

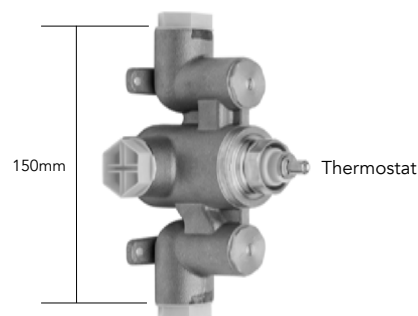


V133-IS Concealed thermostatic valve - rough

Requires T2000

This valve has 2 open outlets

Use T2007 for each



Pyramid Roundel

FITTING / APPROVALS

Feeds: 1/2"
Projection of valve:
39mm

FINISH

CP	€668
PN	€736
SSF/NL	€772
BGM	€852
MBC	€938
ABM/CNB/CTB	€984
AG	€1,192

PRICE

FITTING / APPROVALS

Feeds: 1/2"
Fitting depth: Min 100mm - Max 111mm
from finished tiled surface to rear of fixing,
when used with T2000 trim

Extension kits are available V133-EXT
adding 25mm to fitting depth. If necessary
more than one extension kit can be used

Flow can be limited
eg. for BREEAM



FINISH

XX €552

FLOW RATES

0.5 bar	11.6 l/min
1.0 bar	17.0 l/min
3.0 bar	31.5 l/min



CP
Chrome
plate



PN
Polished
nickel



SSF
Stainless steel
finish



NL
Non lacquered
brass



BGM
Brushed
gold matt
lacquered



MBC
Matt black
chrome



ABM
Antique
brass matt
lacquered



CNB
Country
bronze



CTB
City bronze

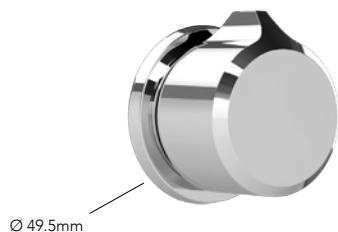


AG
Antique
gold

Oriel forme Shower

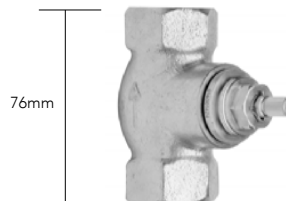
T2007-TCTR Trim set for V607-IS flow control

Requires V607-IS flow control



V607-IS Concealed flow control - rough

Requires T2007 trim set



Tab Roundel

FITTING / APPROVALS	FINISH	PRICE
Feeds: 1/2" Projection of valve: 37mm	CP	€470
	PN	€516
	SSF/NL	€540
	BGM	€598
	MBC	€656
	ABM/CNB/CTB	€690
	AG	€834

FITTING / APPROVALS	FINISH	PRICE
Feeds: 1/2" Fitting depth: Min 61mm - Max 72mm from finished tiled surface to rear of fixing, when used with T2007 trim	XX	€160

Extension kits are available V607-EXT
adding 25mm to fitting depth. If necessary
more than one extension kit can be used

Flow can be limited
eg. for BREEAM



FLOW RATES

0.5 bar	6.1 l/min
1.0 bar	22.2 l/min
3.0 bar	34.2 l/min

T2007-TCTR WRAS approval pending



CP
Chrome
plate



PN
Polished
nickel



SSF
Stainless steel
finish



NL
Non lacquered
brass



BGM
Brushed
gold matt
lacquered



MBC
Matt black
chrome



ABM
Antique
brass matt
lacquered



CNB
Country
bronze



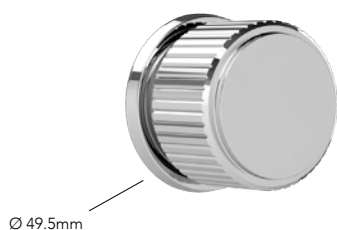
CTB
City bronze



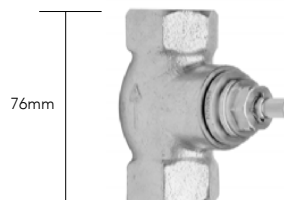
AG
Antique
gold

Orielforme Shower

T2007-TCGR Trim set for V607-IS flow control
Requires V607-IS flow control



V607-IS Concealed flow control - rough
Requires T2007 trim set



Groove Roundel

FITTING / APPROVALS	FINISH	PRICE
Feeds: 1/2" Projection of valve: 37mm	CP	€470
	PN	€516
	SSF/NL	€540
	BGM	€598
	MBC	€656
	ABM/CNB/CTB AG	€690 €834

FITTING / APPROVALS	FINISH	PRICE
Feeds: 1/2" Fitting depth: Min 61mm - Max 72mm from finished tiled surface to rear of fixing, when used with T2007 trim	XX	€160

Extension kits are available V607-EXT
 adding 25mm to fitting depth. If necessary
 more than one extension kit can be used

Flow can be limited
 eg. for BREEAM



FLOW RATES	
0.5 bar	6.1 l/min
1.0 bar	22.2 l/min
3.0 bar	34.2 l/min

T2007-TCGR WRAS approval pending



CP
Chrome
plate

PN
Polished
nickel

SSF
Stainless steel
finish

NL
Non lacquered
brass

BGM
Brushed
gold matt
lacquered

MBC
Matt black
chrome

ABM
Antique
brass matt
lacquered

CNB
Country
bronze

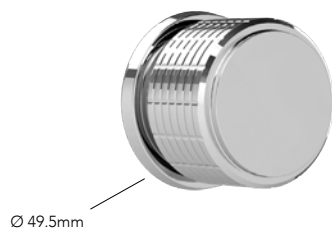
CTB
City bronze

AG
Antique
gold

Oriel forme Shower

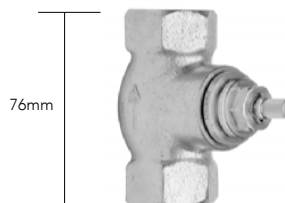
T2007-TCOR Trim set for V607-IS flow control

Requires V607-IS flow control



V607-IS Concealed flow control - rough

Requires T2007 trim set



Bay Roundel

FITTING / APPROVALS	FINISH	PRICE
---------------------	--------	-------

Feeds: 1/2"
Projection of valve:
37mm

CP	€470
PN	€516
SSF/NL	€540
BGM	€598
MBC	€656
ABM/CNB/CTB	€690
AG	€834

FITTING / APPROVALS	FINISH	PRICE
---------------------	--------	-------

Feeds: 1/2"
Fitting depth: Min 61mm - Max 72mm
from finished tiled surface to rear of fixing,
when used with T2007 trim

Extension kits are available V607-EXT
adding 25mm to fitting depth. If necessary
more than one extension kit can be used

Flow can be limited
eg. for BREEAM



FLOW RATES

0.5 bar 6.1 l/min
1.0 bar 22.2 l/min
3.0 bar 34.2 l/min

T2007-TCOR WRAS approval pending



CP
Chrome
plate



PN
Polished
nickel



SSF
Stainless steel
finish



NL
Non lacquered
brass



BGM
Brushed
gold matt
lacquered



MBC
Matt black
chrome



ABM
Antique
brass matt
lacquered



CNB
Country
bronze



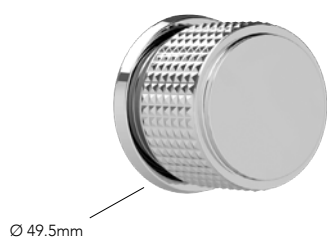
CTB
City bronze



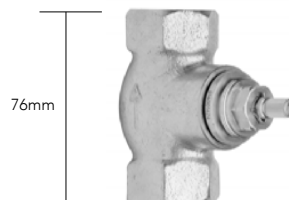
AG
Antique
gold

Oriel forme Shower

T2007-TCPR Trim set for V607-IS flow control
Requires V607-IS flow control



V607-IS Concealed flow control - rough
Requires T2007 trim set



Pyramid Roundel

FITTING / APPROVALS	FINISH	PRICE
Feeds: 1/2" Projection of valve: 37mm	CP	€470
	PN	€516
	SSF/NL	€540
	BGM	€598
	MBC	€656
	ABM/CNB/CTB AG	€690 €834

FITTING / APPROVALS	FINISH	PRICE
Feeds: 1/2" Fitting depth: Min 61mm - Max 72mm from finished tiled surface to rear of fixing, when used with T2007 trim	XX	€160

Extension kits are available V607-EXT
 adding 25mm to fitting depth. If necessary
 more than one extension kit can be used

Flow can be limited
 eg. for BREEM



FLOW RATES

0.5 bar 6.1 l/min

1.0 bar 22.2 l/min

3.0 bar 34.2 l/min

T2007-TCPR WRAS approval pending



CP
Chrome
plate



PN
Polished
nickel



SSF
Stainless steel
finish



NL
Non lacquered
brass



BGM
Brushed
gold matt
lacquered



MBC
Matt black
chrome



ABM
Antique
brass matt
lacquered



CNB
Country
bronze



CTB
City bronze

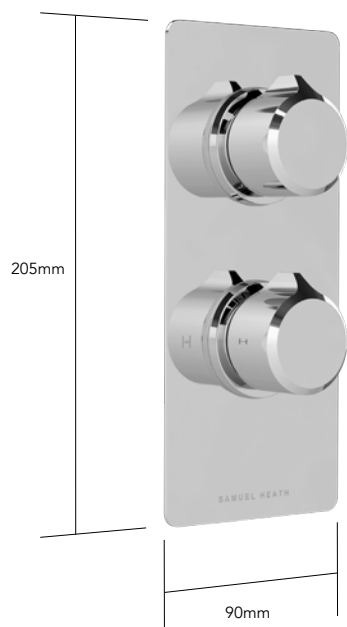


AG
Antique
gold

Oriel forme Shower

T2001-TCTR Trim set for V134-IS thermostatic valve

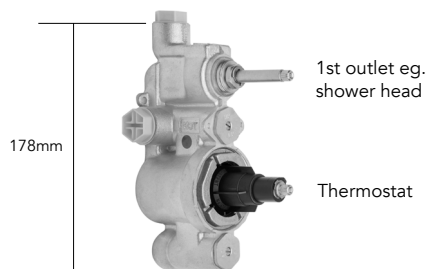
Requires V134-IS concealed valve



V134-IS Concealed thermostatic valve - rough

Requires T2001

This valve has 1 controlled outlet



Tab Roundel

FITTING / APPROVALS

Feeds: 1/2"
Projection of valve:
39mm

FINISH

CP	€1,134
PN	€1,248
SSF/NL	€1,312
BGM	€1,448
MBC	€1,590
ABM/CNB/CTB	€1,670
AG	€2,022

PRICE

FITTING / APPROVALS

Feeds: 1/2"
Fitting depth: Min 120mm - Max 131mm
from finished tiled surface to rear of fixing,
when used with T2001 trim

Extension kits are available V134-EXT
adding 25mm to fitting depth. If necessary
more than one extension kit can be used

Flow can be limited
eg. for BREEAM



FINISH

XX

PRICE

€712

FLOW RATES

0.5 bar 10.2 l/min

1.0 bar 15.8 l/min

3.0 bar 29.6 l/min

T2001-TCTR WRAS approval pending



CP
Chrome
plate



PN
Polished
nickel



SSF
Stainless steel
finish



NL
Non lacquered
brass



BGM
Brushed
gold matt
lacquered



MBC
Matt black
chrome



ABM
Antique
brass matt
lacquered



CNB
Country
bronze



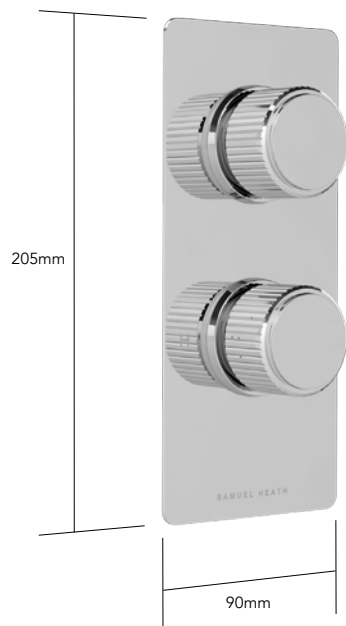
CTB
City bronze



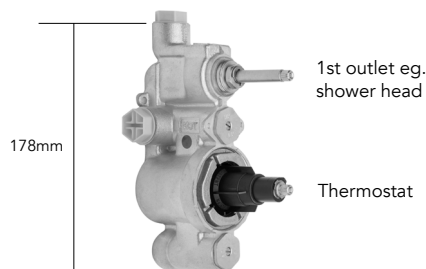
AG
Antique
gold

Oriel forme Shower

T2001-TCGR Trim set for V134-IS thermostatic valve
Requires V134-IS concealed valve



V134-IS Concealed thermostatic valve - rough
Requires T2001
This valve has 1 controlled outlet



Groove Roundel

FITTING / APPROVALS	FINISH	PRICE
Feeds: 1/2" Projection of valve: 39mm	CP	€1,134
	PN	€1,248
	SSF/NL	€1,312
	BGM	€1,448
	MBC	€1,590
	ABM/CNB/CTB	€1,670
	AG	€2,022

FITTING / APPROVALS	FINISH	PRICE
Feeds: 1/2" Fitting depth: Min 120mm - Max 131mm from finished tiled surface to rear of fixing, when used with T2001 trim	XX	€712

Extension kits are available V134-EXT
 adding 25mm to fitting depth. If necessary
 more than one extension kit can be used

Flow can be limited
 eg. for BREEM



FLOW RATES	
0.5 bar	10.2 l/min
1.0 bar	15.8 l/min
3.0 bar	29.6 l/min

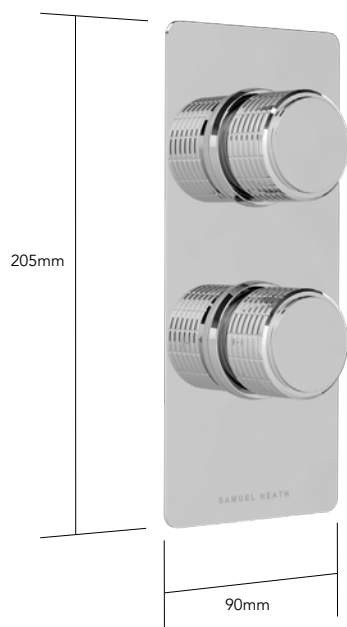


T2001-TCGR WRAS approval pending

Oriel forme Shower

T2001-TCOR Trim set for V134-IS thermostatic valve

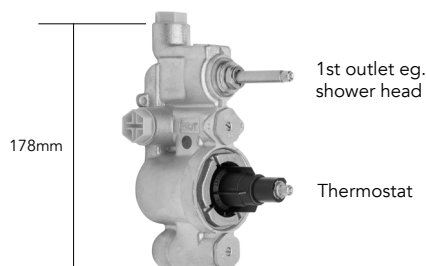
Requires V134-IS concealed valve



V134-IS Concealed thermostatic valve - rough

Requires T2001

This valve has 1 controlled outlet



Bay Roundel

FITTING / APPROVALS

Feeds: 1/2"
Projection of valve:
39mm

FINISH

CP	€1,134
PN	€1,248
SSF/NL	€1,312
BGM	€1,448
MBC	€1,590
ABM/CNB/CTB	€1,670
AG	€2,022

PRICE

FITTING / APPROVALS

Feeds: 1/2"
Fitting depth: Min 120mm - Max 131mm
from finished tiled surface to rear of fixing,
when used with T2001 trim

Extension kits are available V134-EXT
adding 25mm to fitting depth. If necessary
more than one extension kit can be used

Flow can be limited
eg. for BREEAM



FINISH

XX

PRICE

€712

FLOW RATES

0.5 bar 10.2 l/min

1.0 bar 15.8 l/min

3.0 bar 29.6 l/min

T2001-TCOR WRAS approval pending



CP
Chrome
plate



PN
Polished
nickel



SSF
Stainless steel
finish



NL
Non lacquered
brass



BGM
Brushed
gold matt
lacquered



MBC
Matt black
chrome



ABM
Antique
brass matt
lacquered



CNB
Country
bronze



CTB
City bronze

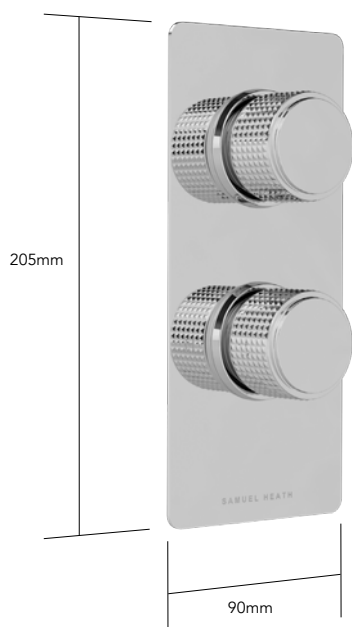


AG
Antique
gold

Orielforme Shower

T2001-TCPR Trim set for V134-IS thermostatic valve

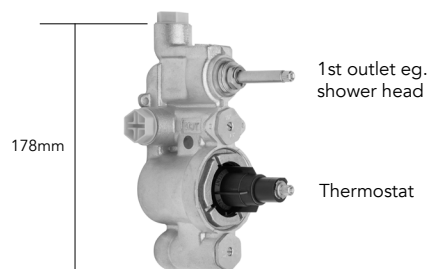
Requires V134-IS concealed valve



V134-IS Concealed thermostatic valve - rough

Requires T2001

This valve has 1 controlled outlet



Pyramid Roundel

FITTING / APPROVALS

Feeds: 1/2"
Projection of valve:
39mm

FINISH

- CP
- PN
- SSF/NL
- BGM
- MBC
- ABM/CNB/CTB
- AG

PRICE

- €1,134
- €1,248
- €1,312
- €1,448
- €1,590
- €1,670
- €2,022

FITTING / APPROVALS

Feeds: 1/2"
Fitting depth: Min 120mm - Max 131mm
from finished tiled surface to rear of fixing,
when used with T2001 trim

Extension kits are available V134-EXT
adding 25mm to fitting depth. If necessary
more than one extension kit can be used

Flow can be limited
eg. for BREEM



FINISH

XX

PRICE

€712

FLOW RATES

- 0.5 bar 10.2 l/min
- 1.0 bar 15.8 l/min
- 3.0 bar 29.6 l/min

T2001-TCPR WRAS approval pending



CP
Chrome
plate



PN
Polished
nickel



SSF
Stainless steel
finish



NL
Non lacquered
brass



BGM
Brushed
gold matt
lacquered



MBC
Matt black
chrome



ABM
Antique
brass matt
lacquered



CNB
Country
bronze



CTB
City bronze

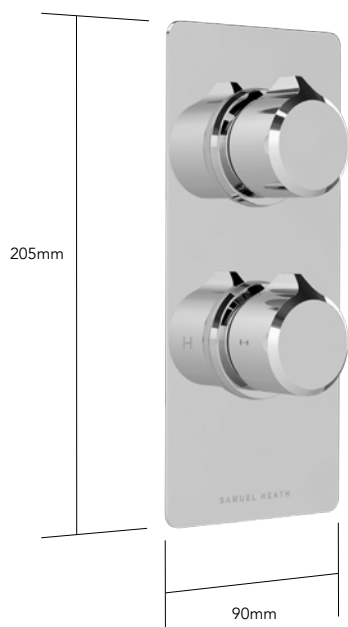


AG
Antique
gold

Oriel forme Shower

T2011-TCTR Trim set for V111-IS thermostatic valve with 2-way diverter

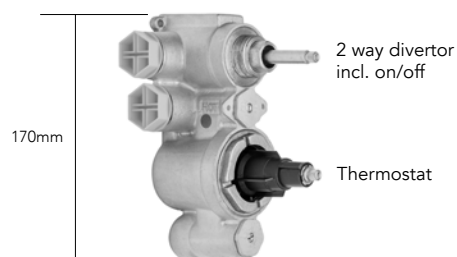
Requires V111-IS concealed valve



V111-IS Concealed thermostatic valve - rough

Requires T2011

This valve has a 2-way diverter



Tab Roundel

FITTING / APPROVALS

Feeds: 1/2"
Projection of valve:
39mm

FINISH

CP	€996
PN	€1,096
SSF/NL	€1,150
BGM	€1,270
MBC	€1,398
ABM/CNB/CTB	€1,466
AG	€1,776

PRICE

FITTING / APPROVALS

Feeds: 1/2"
Fitting depth: Min 120mm - Max 131mm
from finished tiled surface to rear of fixing,
when used with T2011 trim

Extension kits are available V111-EXT
adding 25mm to fitting depth. If necessary
more than one extension kit can be used

Flow can be limited
eg. for BREEAM



FINISH

XX
€788

FLOW RATES

0.5 bar	8.7 l/min
1.0 bar	13.0 l/min
3.0 bar	24.5 l/min

T2011-TCTR WRAS approval pending



CP
Chrome
plate



PN
Polished
nickel



SSF
Stainless steel
finish



NL
Non lacquered
brass



BGM
Brushed
gold matt
lacquered



MBC
Matt black
chrome



ABM
Antique
brass matt
lacquered



CNB
Country
bronze



CTB
City bronze

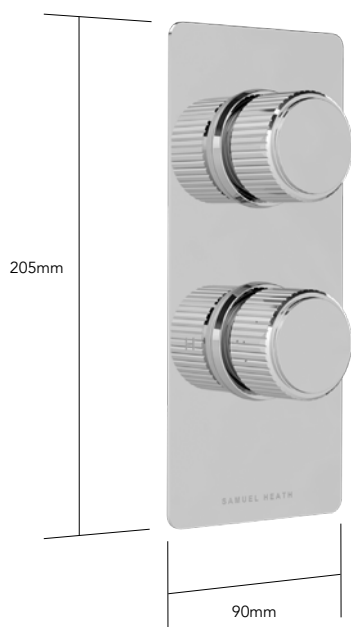


AG
Antique
gold

Oriel forme Shower

T2011-TCGR Trim set for V111-IS thermostatic valve with 2-way diverter

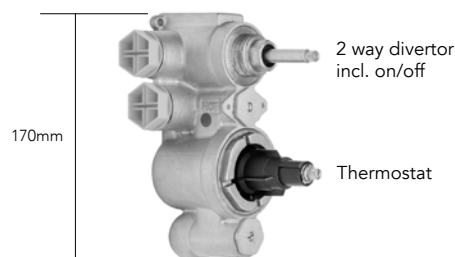
Requires V111-IS concealed valve



V111-IS Concealed thermostatic valve - rough

Requires T2011

This valve has a 2-way diverter



Groove Roundel

FITTING / APPROVALS

Feeds: 1/2"
Projection of valve:
39mm

FINISH

CP	€996
PN	€1,096
SSF/NL	€1,150
BGM	€1,270
MBC	€1,398
ABM/CNB/CTB	€1,466
AG	€1,776

PRICE

FITTING / APPROVALS

Feeds: 1/2"
Fitting depth: Min 120mm - Max 131mm
from finished tiled surface to rear of fixing,
when used with T2011 trim

Extension kits are available V111-EXT
adding 25mm to fitting depth. If necessary
more than one extension kit can be used

Flow can be limited
eg. for BREEM



FINISH

XX €788

FLOW RATES

0.5 bar	8.7 l/min
1.0 bar	13.0 l/min
3.0 bar	24.5 l/min

T2011-TCGR WRAS approval pending



CP
Chrome
plate



PN
Polished
nickel



SSF
Stainless steel
finish



NL
Non lacquered
brass



BGM
Brushed
gold matt
lacquered



MBC
Matt black
chrome



ABM
Antique
brass matt
lacquered



CNB
Country
bronze



CTB
City bronze

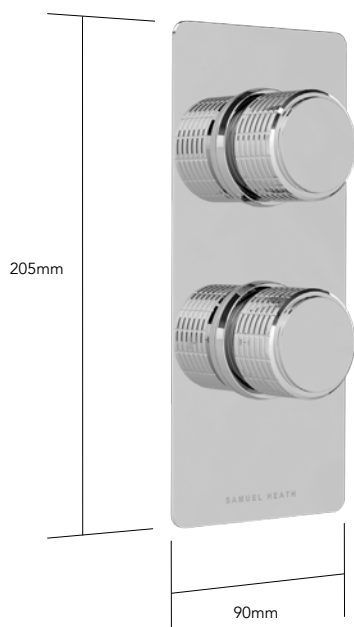


AG
Antique
gold

Oriel forme Shower

T2011-TCOR Trim set for V111-IS thermostatic valve with 2-way diverter

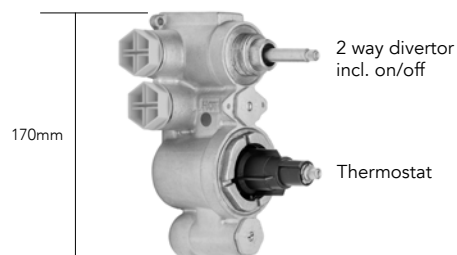
Requires V111-IS concealed valve



V111-IS Concealed thermostatic valve - rough

Requires T2011

This valve has a 2-way diverter



Bay Roundel

FITTING / APPROVALS

Feeds: 1/2"
Projection of valve:
39mm

FINISH

CP
PN
SSF/NL
BGM
MBC
ABM/CNB/CTB
AG

PRICE

€996
€1,096
€1,150
€1,270
€1,398
€1,466
€1,776

FITTING / APPROVALS

Feeds: 1/2"
Fitting depth: Min 120mm - Max 131mm
from finished tiled surface to rear of fixing,
when used with T2011 trim

Extension kits are available V111-EXT
adding 25mm to fitting depth. If necessary
more than one extension kit can be used

Flow can be limited
eg. for BREEAM



FINISH

XX

PRICE

€788

FLOW RATES

0.5 bar 8.7 l/min
1.0 bar 13.0 l/min
3.0 bar 24.5 l/min

T2011-TCOR WRAS approval pending



CP
Chrome
plate



PN
Polished
nickel



SSF
Stainless steel
finish



NL
Non lacquered
brass



BGM
Brushed
gold matt
lacquered



MBC
Matt black
chrome



ABM
Antique
brass matt
lacquered



CNB
Country
bronze



CTB
City bronze

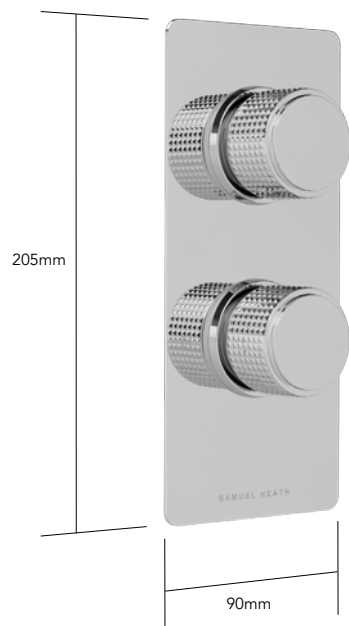


AG
Antique
gold

Oriel forme Shower

T2011-TCPR Trim set for V111-IS thermostatic valve with 2-way diverter

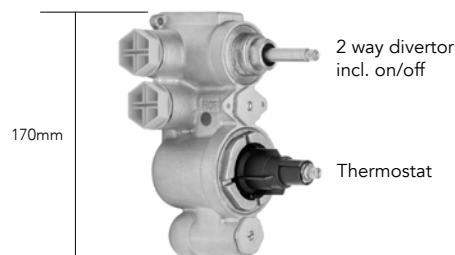
Requires V111-IS concealed valve



V111-IS Concealed thermostatic valve - rough

Requires T2011

This valve has a 2-way diverter



Pyramid Roundel

FITTING / APPROVALS

Feeds: 1/2"
Projection of valve:
39mm

FINISH

- CP
- PN
- SSF/NL
- BGM
- MBC
- ABM/CNB/CTB
- AG

PRICE

- €996
- €1,096
- €1,150
- €1,270
- €1,398
- €1,466
- €1,776

FITTING / APPROVALS

Feeds: 1/2"
Fitting depth: Min 120mm - Max 131mm
from finished tiled surface to rear of fixing,
when used with T2011 trim

Extension kits are available V111-EXT
adding 25mm to fitting depth. If necessary
more than one extension kit can be used

Flow can be limited
eg. for BREEAM



FINISH

XX

PRICE

€788

FLOW RATES

- 0.5 bar 8.7 l/min
- 1.0 bar 13.0 l/min
- 3.0 bar 24.5 l/min

T2001-TCPR WRAS approval pending



CP
Chrome
plate



PN
Polished
nickel



SSF
Stainless steel
finish



NL
Non lacquered
brass



BGM
Brushed
gold matt
lacquered



MBC
Matt black
chrome



ABM
Antique
brass matt
lacquered



CNB
Country
bronze



CTB
City bronze



AG
Antique
gold

Oriel forme Shower

T2002-TCTR Trim set for V135-IS thermostatic valve with 2 flow controls

Requires V135-IS concealed valve

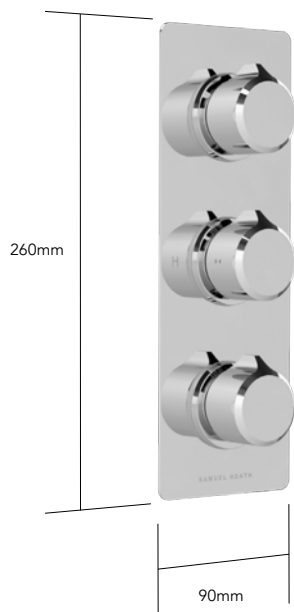
T2005-TCTR Horizontal trim set for V135-IS thermostatic valve with 2 flow controls

Requires V135-IS concealed valve

V135-IS Concealed thermostatic valve - rough

Requires T2002

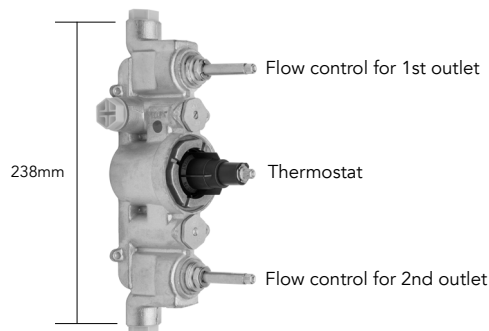
This valve has 2 controlled outlets which can operate simultaneously



Tab Roundel
T2002-TCTR



Tab Roundel
T2005-TCTR



FITTING / APPROVALS

Feeds: 1/2"
Projection of valve:
39mm

FINISH

CP	€1,482
PN	€1,630
SSF/NL	€1,710
BGM	€1,888
MBC	€2,078
ABM/CNB/CTB	€2,180
AG	€2,638

PRICE

FITTING / APPROVALS

Feeds: 1/2"
Fitting depth: Min 120mm - Max 131mm
from finished tiled surface to rear of fixing,
when used with T2002 trim

Extension kits are available V135-EXT
adding 25mm to fitting depth. If necessary
more than one extension kit can be used

Flow can be limited
eg. for BREEAM



FINISH

XX

PRICE

€952

FLOW RATES

0.5 bar 11.8 l/min

1.0 bar 17.2 l/min

3.0 bar 32.0 l/min

T2002-TCTR and T2005-TCTR WRAS approval pending



CP
Chrome
plate



PN
Polished
nickel



SSF
Stainless steel
finish



NL
Non lacquered
brass



BGM
Brushed
gold matt
lacquered



MBC
Matt black
chrome



ABM
Antique
brass matt
lacquered



CNB
Country
bronze



CTB
City bronze



AG
Antique
gold

Oriel forme Shower

T2002-TCGR Trim set for V135-IS thermostatic valve with 2 flow controls

Requires V135-IS concealed valve

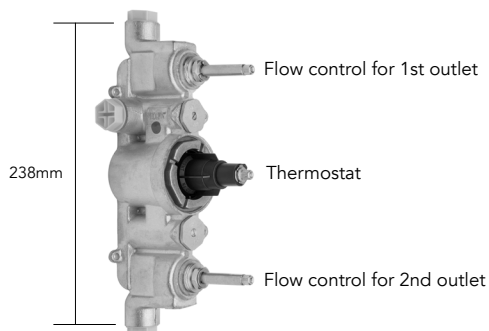
T2005-TCGR Horizontal trim set for V135-IS thermostatic valve with 2 flow controls

Requires V135-IS concealed valve

V135-IS Concealed thermostatic valve - rough

Requires T2002

This valve has 2 controlled outlets which can operate simultaneously



Groove Roundel
T2002-TCGR

Groove Roundel
T2005-TCGR

FITTING / APPROVALS

Feeds: 1/2"
Projection of valve:
39mm

FINISH

CP	€1,482
PN	€1,630
SSF/NL	€1,710
BGM	€1,888
MBC	€2,078
ABM/CNB/CTB	€2,180
AG	€2,638

PRICE

FITTING / APPROVALS

Feeds: 1/2"
Fitting depth: Min 120mm - Max 131mm
from finished tiled surface to rear of fixing,
when used with T2002 trim

Extension kits are available V135-EXT
adding 25mm to fitting depth. If necessary
more than one extension kit can be used

Flow can be limited
eg. for BREEAM



FINISH

XX

PRICE

€952

FLOW RATES

0.5 bar 11.8 l/min

1.0 bar 17.2 l/min

3.0 bar 32.0 l/min

T2002-TCGR and T2005-TCGR WRAS approval pending



CP
Chrome
plate



PN
Polished
nickel



SSF
Stainless steel
finish



NL
Non lacquered
brass



BGM
Brushed
gold matt
lacquered



MBC
Matt black
chrome



ABM
Antique
brass matt
lacquered



CNB
Country
bronze



CTB
City bronze



AG
Antique
gold

Oriel forme Shower

T2002-TCOR Trim set for V135-IS thermostatic valve with 2 flow controls

Requires V135-IS concealed valve

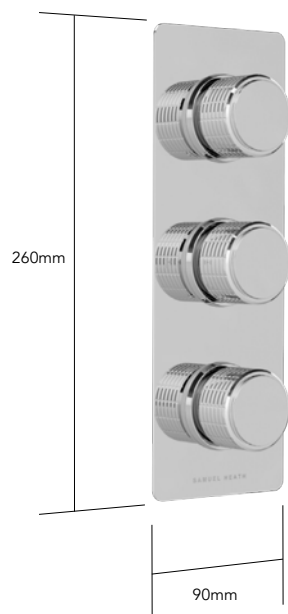
T2005-TCOR Horizontal trim set for V135-IS thermostatic valve with 2 flow controls

Requires V135-IS concealed valve

V135-IS Concealed thermostatic valve - rough

Requires T2002

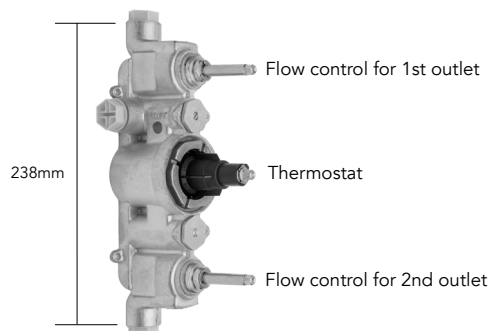
This valve has 2 controlled outlets which can operate simultaneously



Bay Roundel
T2002-TCOR



Bay Roundel
T2005-TCOR



FITTING / APPROVALS

Feeds: 1/2"
Projection of valve:
39mm

FINISH

CP	€1,482
PN	€1,630
SSF/NL	€1,710
BGM	€1,888
MBC	€2,078
ABM/CNB/CTB	€2,180
AG	€2,638

PRICE

FITTING / APPROVALS

Feeds: 1/2"
Fitting depth: Min 120mm - Max 131mm
from finished tiled surface to rear of fixing,
when used with T2002 trim

Extension kits are available V135-EXT
adding 25mm to fitting depth. If necessary
more than one extension kit can be used

Flow can be limited
eg. for BREEAM



FINISH

XX

PRICE

€952

FLOW RATES

0.5 bar 11.8 l/min

1.0 bar 17.2 l/min

3.0 bar 32.0 l/min

T2002-TCOR and T2005-TCOR WRAS approval pending



CP
Chrome
plate



PN
Polished
nickel



SSF
Stainless steel
finish



NL
Non lacquered
brass



BGM
Brushed
gold matt
lacquered



MBC
Matt black
chrome



ABM
Antique
brass matt
lacquered



CNB
Country
bronze



CTB
City bronze



AG
Antique
gold

Oriel forme Shower

T2002-TCPR Trim set for V135-IS thermostatic valve with 2 flow controls

Requires V135-IS concealed valve

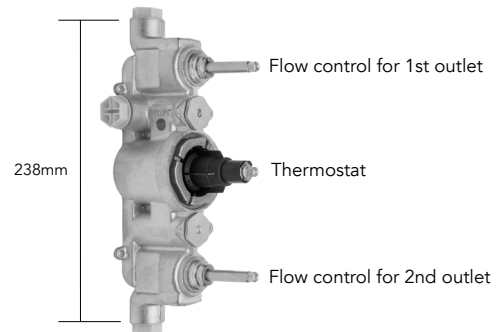
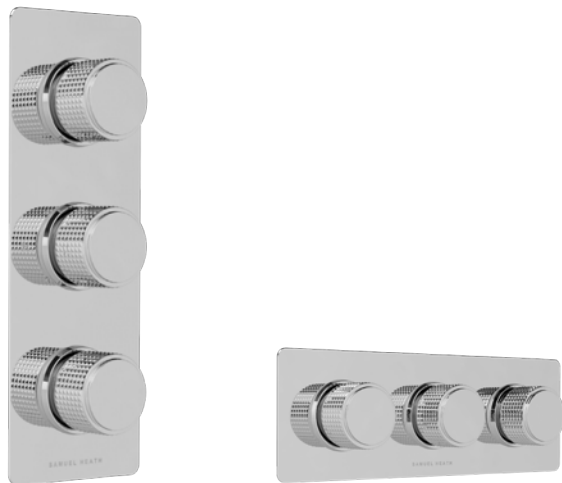
T2005-TCPR Horizontal trim set for V135-IS thermostatic valve with 2 flow controls

Requires V135-IS concealed valve

V135-IS Concealed thermostatic valve - rough

Requires T2002

This valve has 2 controlled outlets which can operate simultaneously



Pyramid Roundel
T2002-TCPR

Pyramid Roundel
T2005-TCPR

FITTING / APPROVALS

Feeds: 1/2"
Projection of valve:
39mm

FINISH

CP	€1,482
PN	€1,630
SSF/NL	€1,710
BGM	€1,888
MBC	€2,078
ABM/CNB/CTB	€2,180
AG	€2,638

PRICE

FITTING / APPROVALS

Feeds: 1/2"
Fitting depth: Min 120mm - Max 131mm
from finished tiled surface to rear of fixing,
when used with T2002 trim

Extension kits are available V135-EXT
adding 25mm to fitting depth. If necessary
more than one extension kit can be used

Flow can be limited
eg. for BREEM



FINISH

XX

PRICE

€952

FLOW RATES

0.5 bar 11.8 l/min

1.0 bar 17.2 l/min

3.0 bar 32.0 l/min

T2002-TCPR and T2005-TCPR WRAS approval pending



CP
Chrome
plate



PN
Polished
nickel



SSF
Stainless steel
finish



NL
Non lacquered
brass



BGM
Brushed
gold matt
lacquered



MBC
Matt black
chrome



ABM
Antique
brass matt
lacquered



CNB
Country
bronze



CTB
City bronze

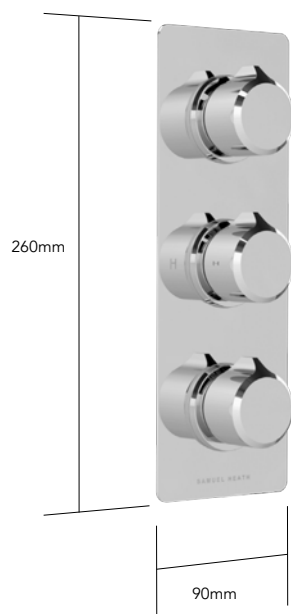


AG
Antique
gold

Oriel forme Shower

T2003-TCTR Trim set for V132-IS thermostatic valve with 2-way diverter and flow control for 3rd outlet

Requires V132-IS concealed valve

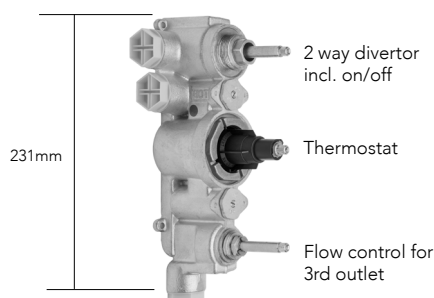


Tab Roundel

V132-IS Concealed thermostatic valve - rough

Requires T2003

This valve has a two-way diverter plus an extra controlled outlet giving 3 options



FITTING / APPROVALS	FINISH	PRICE
Feeds: 1/2" Projection of valve: 39mm	CP	€1,482
	PN	€1,630
	SSF/NL	€1,710
	BGM	€1,888
	MBC	€2,078
	ABM/CNB/CTB	€2,180
	AG	€2,638

FITTING / APPROVALS	FINISH	PRICE
Feeds: 1/2" Fitting depth: Min 118mm - Max 129mm from finished tiled surface to rear of fixing, when used with T2003 trim	XX	€1,048

Extension kits are available V132-EXT adding 25mm to fitting depth. If necessary more than one extension kit can be used

Flow can be limited eg. for BREEAM



FLOW RATES	
0.5 bar	15.0 l/min
1.0 bar	22.0 l/min
3.0 bar	40.5 l/min

WRAS approval pending

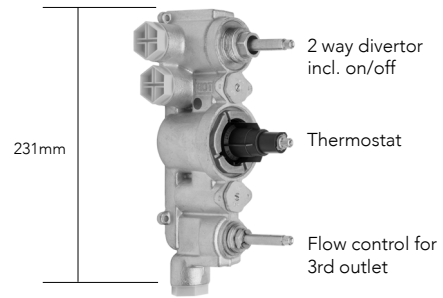


Orielforme Shower

T2003-TCGR Trim set for V132-IS thermostatic valve with 2-way diverter and flow control for 3rd outlet
Requires V132-IS concealed valve



V132-IS Concealed thermostatic valve - rough
Requires T2003
This valve has a two-way diverter plus an extra controlled outlet giving 3 options



Groove Roundel

FITTING / APPROVALS	FINISH	PRICE
Feeds: 1/2" Projection of valve: 39mm	CP	€1,482
	PN	€1,630
	SSF/NL	€1,710
	BGM	€1,888
	MBC	€2,078
	ABM/CNB/CTB AG	€2,180 €2,638

FITTING / APPROVALS	FINISH	PRICE
Feeds: 1/2" Fitting depth: Min 118mm - Max 129mm from finished tiled surface to rear of fixing, when used with T2003 trim	XX	€1,048

Extension kits are available V132-EXT adding 25mm to fitting depth. If necessary more than one extension kit can be used

Flow can be limited eg. for BREEAM



FLOW RATES
0.5 bar 15.0 l/min
1.0 bar 22.0 l/min
3.0 bar 40.5 l/min

WRAS approval pending



CP
Chrome plate



PN
Polished nickel



SSF
Stainless steel finish



NL
Non lacquered brass



BGM
Brushed gold matt lacquered



MBC
Matt black chrome



ABM
Antique brass matt lacquered



CNB
Country bronze



CTB
City bronze



AG
Antique gold

Oriel forme Shower

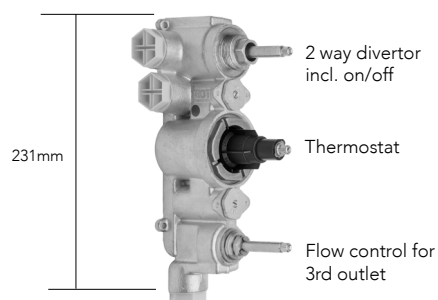
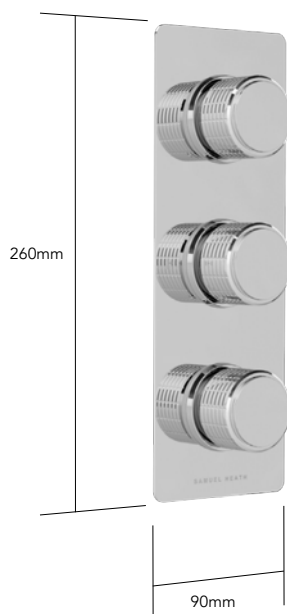
T2003-TCOR Trim set for V132-IS thermostatic valve with 2-way diverter and flow control for 3rd outlet

Requires V132-IS concealed valve

V132-IS Concealed thermostatic valve - rough

Requires T2003

This valve has a two-way diverter plus an extra controlled outlet giving 3 options



Bay Roundel

FITTING / APPROVALS	FINISH	PRICE
Feeds: 1/2" Projection of valve: 39mm	CP	€1,482
	PN	€1,630
	SSF/NL	€1,710
	BGM	€1,888
	MBC	€2,078
	ABM/CNB/CTB AG	€2,180 €2,638

FITTING / APPROVALS	FINISH	PRICE
Feeds: 1/2" Fitting depth: Min 118mm - Max 129mm from finished tiled surface to rear of fixing, when used with T2003 trim	XX	€1,048

Extension kits are available V132-EXT adding 25mm to fitting depth. If necessary more than one extension kit can be used

Flow can be limited eg. for BREEAM



FLOW RATES	
0.5 bar	15.0 l/min
1.0 bar	22.0 l/min
3.0 bar	40.5 l/min

WRAS approval pending

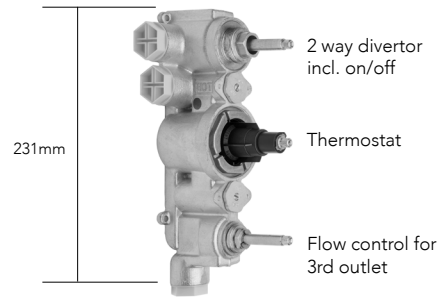


Oriel forme Shower

T2003-TCPR Trim set for V132-IS thermostatic valve with 2-way diverter and flow control for 3rd outlet
Requires V132-IS concealed valve



V132-IS Concealed thermostatic valve - rough
Requires T2003
This valve has a two-way diverter plus an extra controlled outlet giving 3 options



Pyramid Roundel

FITTING / APPROVALS	FINISH	PRICE
Feeds: 1/2" Projection of valve: 39mm	CP	€1,482
	PN	€1,630
	SSF/NL	€1,710
	BGM	€1,888
	MBC	€2,078
	ABM/CNB/CTB AG	€2,180 €2,638

FITTING / APPROVALS	FINISH	PRICE
Feeds: 1/2" Fitting depth: Min 118mm - Max 129mm from finished tiled surface to rear of fixing, when used with T2003 trim	XX	€1,048

Extension kits are available V132-EXT
 adding 25mm to fitting depth. If necessary
 more than one extension kit can be used

Flow can be limited
 eg. for BREEAM



FLOW RATES	
0.5 bar	15.0 l/min
1.0 bar	22.0 l/min
3.0 bar	40.5 l/min

WRAS approval pending



CP
Chrome
plate



PN
Polished
nickel



SSF
Stainless steel
finish



NL
Non lacquered
brass



BGM
Brushed
gold matt
lacquered



MBC
Matt black
chrome



ABM
Antique
brass matt
lacquered



CNB
Country
bronze



CTB
City bronze



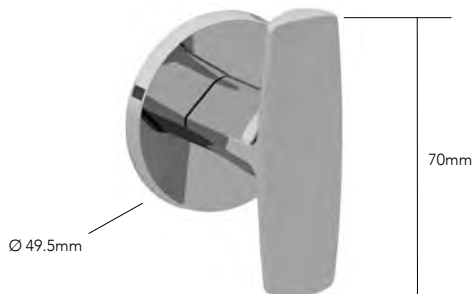
AG
Antique
gold

Oriel forme Shower

T2068-CBA Trim set for V168-IS concealed 3-way diverter

Requires V168-IS

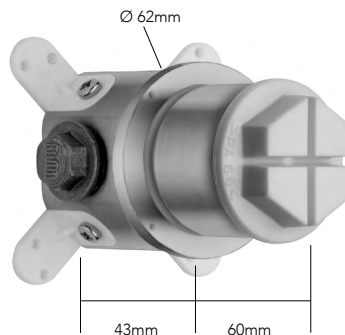
- We recommend the use of the T-bar handle as a diverter with Oriel as the operation of a diverter could be too difficult with a roundel



V168-IS Concealed 3-way diverter - rough

Requires T2068

- One inlet, three outlets (one can be closed off)
- Can be used for deck mounting providing the unit is supported sufficiently



Speed T-Bar

FITTING / APPROVALS

Feeds: 1/2"

Projection of valve:
42mm



FINISH	PRICE
CP	€482
PN	€530
SSF/NL	€558
BGM	€614
MBC	€676
ABM/CNB/CTB	€710
AG	€858

FITTING / APPROVALS

Feeds: 1/2"

Fitting depth: Min 121mm - Max 132mm
from finished tiled surface to rear of fixing,
when used with T2068 trim

Extension kits are available V168-EXT
adding 25mm to fitting depth. If necessary
more than one extension kit can be used

Flow can be limited
eg. for BREEAM



FINISH

XX

PRICE

€452

FLOW RATES

0.1 bar 6.4 l/min
1.0 bar 20.4 l/min
3.0 bar 37.2 l/min



CP
Chrome
plate



PN
Polished
nickel



SSF
Stainless steel
finish



NL
Non lacquered
brass



BGM
Brushed
gold matt
lacquered



MBC
Matt black
chrome



ABM
Antique
brass matt
lacquered



CNB
Country
bronze



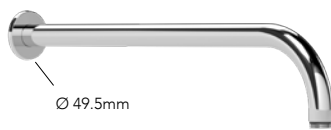
CTB
City bronze



AG
Antique
gold

Orielforme Shower

T2062 1/2" Overhead shower arm



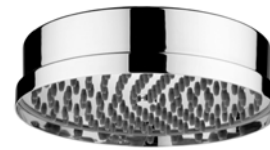
	FINISH	PRICE	
FITTING / APPROVALS	CP	€474	
	PN	€522	
	SSF/NL	€546	
	Max installation depth: 90.5mm	BGM	€604
	Projection: 490.5mm	MBC	€664
		ABM/CNB/CTB	€696
	AG	€844	




For WRAS approved version order T2062W

V663 200mm Easy clean shower head

For swivel ball joint order V987

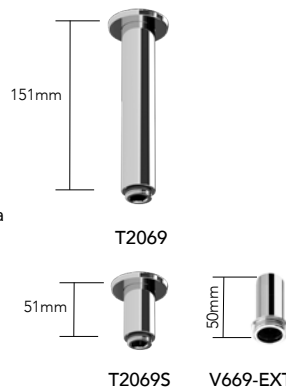


	FINISH	PRICE	
FITTING / APPROVALS	CP	€562	
	PN	€610	
	Thread: 1/2"	SSF/NL	€634
		BGM	€694
		MBC	€718
		ABM/CNB/CTB	€754
	AG	€776	



For WRAS approved version order V663W

T2069, T2069S, V669-EXT 1/2" Ceiling tube for shower head



FITTING / APPROVALS

- V669-EXT extension piece can replace the 151mm tube to give a 50mm projection for fitting close to ceiling
- More than one V669-EXT extension piece can be used



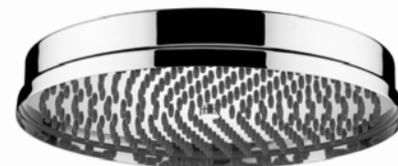
For WRAS approved versions order T2069W and T2069SW

	FINISH	T2069	T2069S	V669-EXT
FITTING / APPROVALS	CP	€238	€188	€98
	PN	€262	€206	€96
	SSF/NL	€274	€218	€110
	BGM	€304	€238	€122
	MBC	€332	€264	€122
	ABM	€350	€276	€120
	CNB/CTB	€350	€276	€120
	AG	€424	€332	€134

V665 300mm Easy clean shower head

For swivel ball joint order V987

Due to its weight this product is best used with a ceiling tube, or the wall mounted shower arms T2062, V262, V662, V762, and T162; the pipework and shower arms must be rigidly secured. If used with exposed pipework additional support brackets will be required

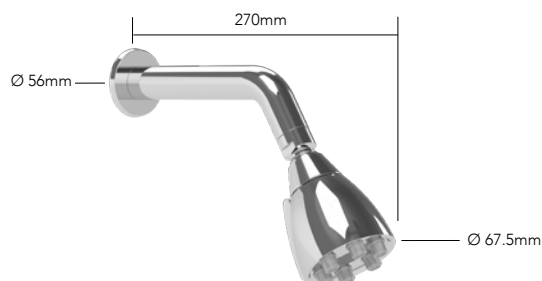



	FINISH	PRICE	
FITTING / APPROVALS	CP	€1,028	
	PN	€1,122	
	Thread: 1/2"	SSF/NL	€1,184
		BGM	€1,276
		MBC	€1,338
		ABM/CNB/CTB	€1,382
	AG	€1,432	



For WRAS approved version order V665W

T2079 Adjustable, 6-jet easy clean shower head



	FINISH	PRICE	
FITTING / APPROVALS	CP	€644	
	PN	€706	
	Thread: 1/2"	SSF/NL	€740
		BGM	€802
		MBC	€836
		ABM/CNB/CTB	€860
	AG	€890	

T2079-8 Adjustable, 8-jet easy clean shower head



	FINISH	PRICE	
FITTING / APPROVALS	CP	€692	
	PN	€740	
	Thread: 1/2"	SSF/NL	€764
		BGM	€836
		MBC	€870
		ABM/CNB/CTB	€898
	AG	€898	

Oriel forme Shower


V178 200mm Easy clean shower head



FITTING / APPROVALS	FINISH	PRICE
Thread: 1/2"	CP	€324
	PN	€360
	SSF/NL	€370
	BGM	€502
	MBC	€418
	ABM/CNB/CTB	€502
	AG	€502


V378 200mm Square easy clean shower head



FITTING / APPROVALS	FINISH	PRICE
Thread: 1/2"	CP	€882
	PN	€966
	SSF/NL	€1,018

V188 200mm Easy clean shower head



FITTING / APPROVALS	FINISH	PRICE
Thread: 1/2"	CP	€656
	PN	€714
	SSF/NL	€752




For WRAS approved version order V188W

V379 300mm Square easy clean shower head

Due to its weight this product is best used with a ceiling tube

If used with exposed pipework additional support brackets will be required




FITTING / APPROVALS	FINISH	PRICE
Thread: 1/2"	CP	€1,194
	PN	€1,300
	SSF/NL	€1,360

V189 300mm Easy clean shower head

Due to its weight this product is best used with a ceiling tube

If used with exposed pipework additional support brackets will be required



FITTING / APPROVALS	FINISH	PRICE
Thread: 1/2"	CP	€956
	PN	€1,048
	SSF/NL	€1,100



For WRAS approved version order V189W

V987 Swivel ball joint

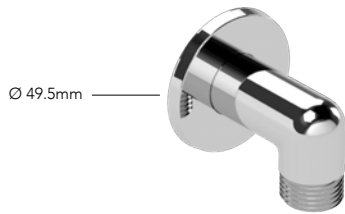
For use with V663 and V665 shower heads



FITTING / APPROVALS	FINISH	PRICE
Thread: 1/2"	CP	€98
	PN	€106
	SSF/NL	€108
	BGM	€120
	MBC	€126
	ABM/CNB/CTB	€140
	AG	€136

Oriel forme Shower

T2064 Wall outlet



FITTING / APPROVALS

Feed: 1/2"



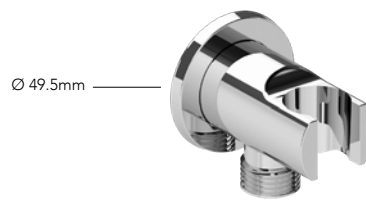
For WRAS approved version order T2064W

FINISH

CP	€138
PN	€150
SSF/NL	€158
BGM	€176
MBC	€192
ABM/CNB/CTB	€200
AG	€242

PRICE

T2066 Combined wall outlet / bracket



FITTING / APPROVALS

Feed: 1/2"



For WRAS approved version order T2066W

FINISH

CP	€148
PN	€162
SSF/NL	€172
BGM	€188
MBC	€206
ABM/CNB/CTB	€218
AG	€264

PRICE

V783 Angle bracket



FITTING / APPROVALS

Feed: 1/2"



FINISH

CP	€156
PN	€168
SSF/NL	€184
BGM	€192
MBC	€204
ABM/CNB/CTB	€218
AG	€230

PRICE

T2080 Bath boss for hand shower



FITTING / APPROVALS

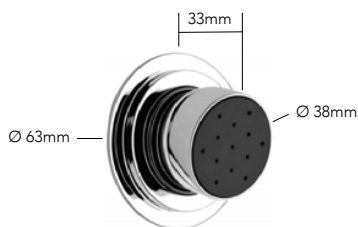
Min drill hole: 38mm
Max drill hole: 41mm

FINISH

CP	€226
PN	€246
SSF/NL	€260
BGM	€286
MBC	€316
ABM/CNB/CTB	€330
AG	€400

PRICE

V276 Body jet (high flow)



FITTING / APPROVALS

Feed: 1/2"

FLOW RATES

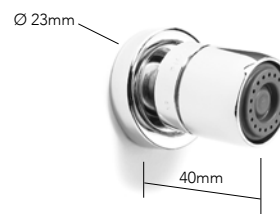
0.5 bar	6.5 l/min
1.0 bar	9.3 l/min
3.0 bar	14.5 l/min

FINISH

CP	€362
PN	€416
SSF/NL	€416
BGM	€452
MBC	€472
ABM/CNB/CTB	€520
AG	€508

PRICE

V176 Body jet



FITTING / APPROVALS

Feed: 1/2"

FLOW RATES

0.5 bar	3.0 l/min
1.0 bar	4.6 l/min
3.0 bar	8.5 l/min

FINISH

CP	€166
PN	€182
SSF/NL	€194
BGM	€216
MBC	€216
ABM/CNB/CTB	€266
AG	€276

PRICE

Orielforme Shower

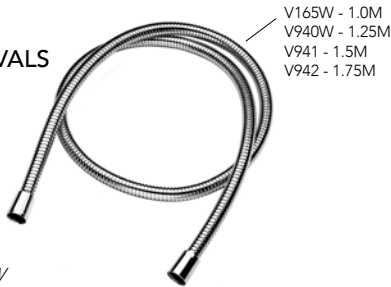
V165W, V940W, V941, V942 Hoses

FITTING / APPROVALS

Feed: 1/2"

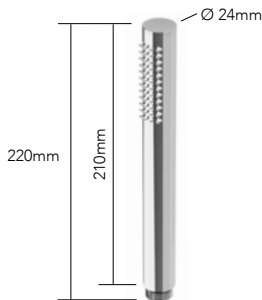


For WRAS approved versions order V165W, V940W, V941W or V942W



FINISH	V165W	V940W	V941	V942
CP	€92	€92	€98	€110
PN	€100	€100	€98	€120
SSF/NL	€104	€104	€134	€146
BGM	€114	€114	€168	€182
MBC	€116	€116	€146	€158
ABM	€120	€120	€266	€276
CNB/CTB	€120	€120	€266	€276
AG	€124	€124	€182	€192

V182 Easy clean hand shower



FITTING / APPROVALS

Thread: 1/2"

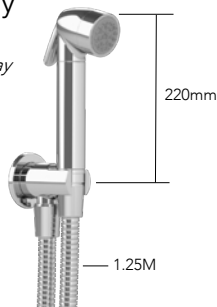


For WRAS approved version order V182W.

FINISH	PRICE
CP	€204
PN	€230
SSF/NL	€240
BGM	€276
MBC	€266
ABM/CNB/CTB	€276
AG	€286

T2066-SPR Bidet spray

We recommend the use of a flow control with this bidet spray



FITTING / APPROVALS

Feed: 1/2"



WRAS approval pending

FINISH	PRICE
CP	€492
PN	€540
SSF/NL	€568
BGM	€626
MBC	€690
ABM/CNB/CTB	€726
AG	€876

T2070-KIT Slider rail kit

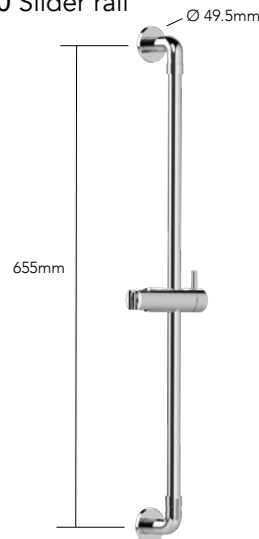


FITTING / APPROVALS

Feed: 1/2"

FINISH	PRICE
CP	€1,198
PN	€1,318
SSF/NL	€1,382
BGM	€1,528
MBC	€1,680
ABM/CNB/CTB	€1,762
AG	€2,134

T2070 Slider rail



FITTING / APPROVALS

FINISH	PRICE
CP	€820
PN	€902
SSF/NL	€946
BGM	€1,044
MBC	€1,150
ABM/CNB/CTB	€1,206
AG	€1,460

Single lever deck mounted basin tap in brushed gold matt



ACCESSORIES



Single arm paper holder in antique brass matt

Merging practicality with minimalist styling, the range is designed to add the finishing touch to a beautifully designed bathroom.

The collection is manufactured to the same exacting standards as any other Samuel Heath range, crafted in high-quality brass for a heavyweight experience.

Each accessory is available in a wide range of finishes to complement the wider brassware collection.

Accessories

N5032 Robe hook



FINISH	PRICE
CP	€62
PN	€72
SSF/NL	€74
BGM	€88
MBC	€84
ABM/CNB/CTB	€84
AG	€106

N5037 Paper holder



FINISH	PRICE
CP	€110
PN	€120
SSF/NL	€134
BGM	€146
MBC	€148
ABM/CNB/CTB	€144
AG	€188

N5091 Single arm paper holder



FINISH	PRICE
CP	€194
PN	€204
SSF/NL	€216
BGM	€240
MBC	€250
ABM/CNB/CTB	€250
AG	€330

N5098 Towel ring



FINISH	PRICE
CP	€134
PN	€146
SSF/NL	€156
BGM	€168
MBC	€168
ABM/CNB/CTB	€182
AG	€228

L5044 Freestanding toilet brush



FINISH	PRICE
CP	€314
PN	€348
SSF/NL	€360
BGM	€390
MBC	€406
ABM/CNB/CTB	€420
AG	€534

N5139-A Grab rail - 300mm
N5139-B Grab rail - 457mm



FINISH	N5139-A	-B
CP	€370	€408
PN	€420	€444
SSF/NL	€432	€470
BGM	€468	€514
MBC	€490	€526
ABM/CNB/CTB	€502	€552
AG	€630	€694

N5137 Towel rail - 457mm
N5137-A Towel rail - 610mm
N5137-B Towel rail - 800mm



FINISH	N5137	-A	-B
CP	€218	€230	€240
PN	€240	€250	€266
SSF/NL	€240	€252	€276
BGM	€266	€276	€300
MBC	€276	€286	€314
ABM/CNB/CTB	€286	€300	€324
AG	€370	€392	€690

N5301 Double towel rail - 610mm
N5301-A Double towel rail - 800mm



FINISH	N5301	-A
CP	€502	€562
PN	€552	€616
SSF/NL	€572	€646
BGM	€620	€750
MBC	€646	€764
ABM/CNB/CTB	€670	€792
AG	€856	€892

Thermostatic valve with crystal roundels in brushed gold matt finish

SAMUEL HEATH
ONE HUNDRED
COLLECTION





THE ONE HUNDRED
COLLECTION REPRESENTS
OUR INTERPRETATION OF
THE VERY BEST OF
BRITISH DESIGN.

Britain has a long-standing reputation for fine products and luxury experiences. You need only observe the classic lines of a luxury British sports car, the impeccable attention to detail of a Savile Row suit or the effortlessly sophisticated service of an esteemed Mayfair hotel to understand how iconic British brands are created.

With One Hundred we sought to express our own interpretation of timeless British design in two stylistically different yet thematically similar collections. There is an opulence that revels in the grandeur and tactile delight that comes from combining exquisite materials with traditional British crafting techniques. At the same time we have created an understated style and sleek sophistication that has become synonymous with contemporary British design. The two are united in their goal to celebrate the best of British design whilst adding luxury and style to the everyday.

ONE HUNDRED COLLECTION Control options



Wing Lever - SSB
Satin Nickel with Matt Black Chrome
Price Band B



Luxe Lever - CTB
City Bronze
Price Band C



Luxe Lever - R51
Polished Nickel with Gloss Black Chrome
Price Band A

ONE HUNDRED COLLECTION Control options



Roundel - CTB
City Bronze
Price Band C



Roundel - E40
Brushed Gold Matt with City Bronze
Price Band C



Black Crystal Roundel - E40
Brushed Gold Matt with City Bronze
Price Band C



Clear Crystal Roundel - B51
Antique Gold with Gloss Black Chrome
Price Band D



Black Crystal Roundel - B51
Antique Gold with Gloss Black Chrome
Price Band D



Clear Crystal Roundel - BGM
Brushed Gold Matt
Price Band B

ONE HUNDRED COLLECTION

BASIN



T10K14



T12K16



T10K17-1



T10K17-2



ONE HUNDRED COLLECTION

BATH



T10K36



T10K48



T10K47



ONE HUNDRED COLLECTION

BATH



T1041



T10K42



T1077



V145



The One Hundred Collection is available to approved, displaying dealers only.
For accessories see pages 238 - 239

ONE HUNDRED COLLECTION

SHOWER



T1000



T1007



Rough only



T1068



Rough only



T1001

T1011



T1001
Rough only



T1002

T1003



T1002
Rough only



T1006



Rough only



T1005



Rough only



T10B1



Rough only



T10B2

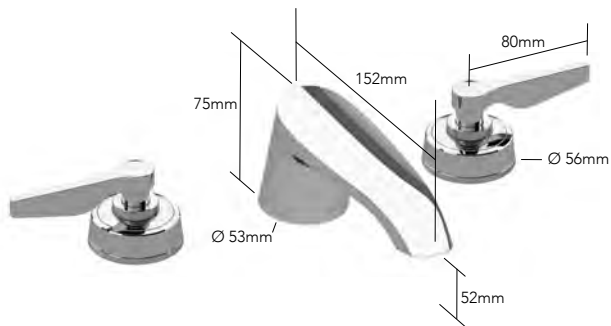


Rough only

ONE HUNDRED COLLECTION Shower

T10K14LA or LB 3 hole basin mixer

Does not have a pop-up waste



T10K14LA
Wing levers



T10K14LB
Luxe levers

PRICING

Polished Chrome	€1,922
Finish Band A	€2,190
Finish Band B	€2,454
Finish Band C	€2,742
Finish Band D	€3,038

WING/LUXE

FITTING / APPROVALS

For basin waste see V192

Feeds: 1/2"

Max deck thickness: 40mm

Max drill hole: 40mm side valve

Max drill hole: 42mm spout

FLOW RATES

0.5 bar 1.8 l/min

1.0 bar 2.6 l/min

3.0 bar 4.0 l/min

Flow can be limited

eg. for BREEM



Chrome Plate



CP
Polished Chrome

Band A



PN
Polished Nickel



R51
Polished Nickel &
Gloss Black Chrome

Band B



BGM
Brushed Gold Matt



SSB
Stainless Steel Finish
& Matt Black Chrome



SSF
Stainless Steel Finish

Band C



CTB
City Bronze



ABM
Antique Brass Matt



MBC
Matt Black Chrome



E40
Brushed Gold Matt
& City Bronze



S40
Stainless Steel
Finish & City Bronze

Band D



AG
Antique Gold



B51
Antique Gold &
Gloss Black Chrome

ONE HUNDRED COLLECTION Shower

T10K14R or CCR or CBR3 hole basin mixer

Does not have a pop-up waste



T10K14R
Roundels

T10K14CCR
Clear crystal roundels

T10K14CBR
Black crystal roundels

PRICING

	ROUNDEL	CRYSTAL
Polished Chrome	€1,922	€2,456
Finish Band A	€2,190	€2,778
Finish Band B	€2,454	€3,070
Finish Band C	€2,742	€3,314
Finish Band D	€3,038	€3,558

FITTING / APPROVALS

For basin waste see V192

Feeds: 1/2"

Max deck thickness: 40mm

Max drill hole: 40mm side valve

Max drill hole: 42mm spout

FLOW RATES

0.5 bar 1.8 l/min

1.0 bar 2.6 l/min

3.0 bar 4.0 l/min

Flow can be limited

eg. for BREEAM



Chrome Plate



CP
Polished Chrome



PN
Polished Nickel



R51
Polished Nickel &
Gloss Black Chrome



Band B
BGM
Brushed Gold Matt



SSB
Stainless Steel Finish
& Matt Black Chrome



SSF
Stainless Steel Finish



Band C
CTB
City Bronze



ABM
Antique Brass Matt



MBC
Matt Black Chrome



E40
Brushed Gold Matt
& City Bronze



S40
Stainless Steel
Finish & City Bronze



Band D
AG
Antique Gold

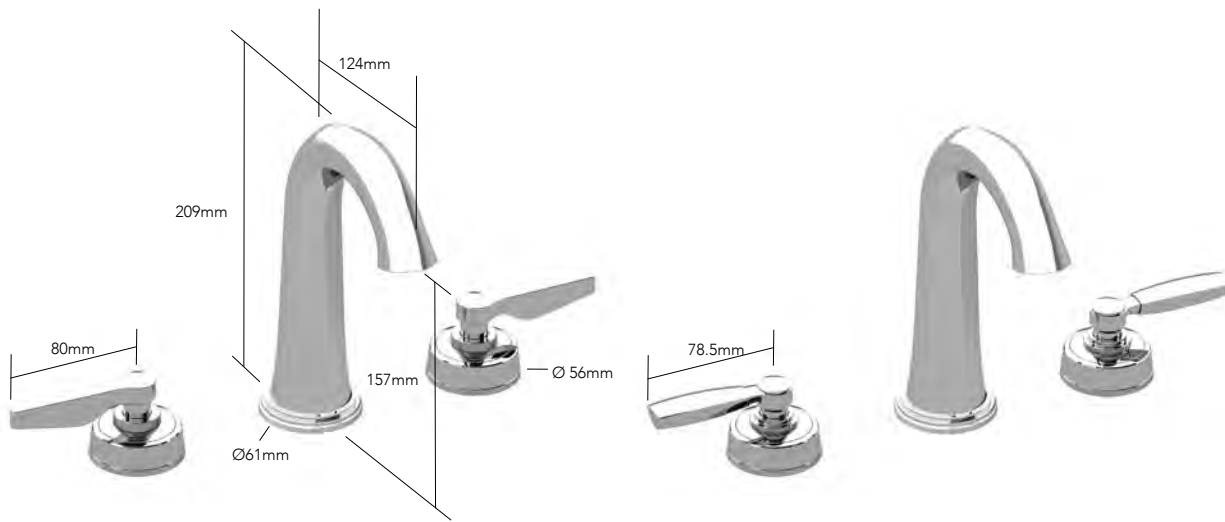


B51
Antique Gold &
Gloss Black Chrome

ONE HUNDRED COLLECTION Basin

T12K16LA or LB 3 hole basin mixer, high spout

Does not have a pop-up waste



T12K16LA
Wing levers

T12K16LB
Luxe levers

PRICING

	WING/LUXE
Polished Chrome	€1,958
Finish Band A	€2,220
Finish Band B	€2,482
Finish Band C	€2,638
Finish Band D	€2,870

FITTING / APPROVALS

For basin waste see V192

Feeds: 1/2"

Max deck thickness: 40mm

Max drill hole: 40mm side valve

Max drill hole: 48mm spout

FLOW RATES

0.1 bar 6.0 l/min

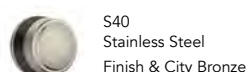
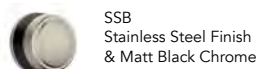
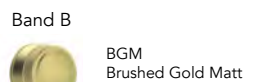
0.5 bar 18.0 l/min

Flow can be limited

eg. for BREEAM



Chrome Plate



ONE HUNDRED COLLECTION Basin

T12K16R or CCR or CBR 3 hole basin mixer, high spout

Does not have a pop-up waste



T12K16R
Roundels

T12K16CCR
Clear crystal roundels

T12K16CBR
Black crystal roundels

PRICING

	ROUNDEL	CRYSTAL
Polished Chrome	€1,958	€2,504
Finish Band A	€2,220	€2,828
Finish Band B	€2,482	€3,130
Finish Band C	€2,638	€3,380
Finish Band D	€2,870	€3,628

FITTING / APPROVALS

For basin waste see V192

Feeds: 1/2"

Max deck thickness: 40mm

Max drill hole: 40mm side valve

Max drill hole: 48mm spout

FLOW RATES

0.1 bar 6.0 l/min

0.5 bar 18.0 l/min

Flow can be limited

eg. for BREEAM



Chrome Plate



CP
Polished Chrome



Band A
PN
Polished Nickel



R51
Polished Nickel &
Gloss Black Chrome



Band B
BGM
Brushed Gold Matt



SSB
Stainless Steel Finish
& Matt Black Chrome



SSF
Stainless Steel Finish



Band C
CTB
City Bronze



ABM
Antique Brass Matt



MBC
Matt Black Chrome



E40
Brushed Gold Matt
& City Bronze



S40
Stainless Steel
Finish & City Bronze



Band D
AG
Antique Gold



B51
Antique Gold &
Gloss Black Chrome

ONE HUNDRED COLLECTION Basin

T10K17-1, T10K17-2 Wall mounted basin mixer, trim set (2 spout lengths)

Requires V718-IS or V818-IS



T10K17-1LA
T10K17-2LA
Wing levers

T10K17-1LB
T10K17-2LB
Luxe levers

— WING/LUXE —

PRICING

	T10K17-1LA	T10K17-2LA
Polished Chrome	€1,874	€1,952
Finish Band A	€2,140	€2,190
Finish Band B	€2,456	€2,454
Finish Band C	€2,646	€2,742
Finish Band D	€2,926	€3,066

FITTING / APPROVALS

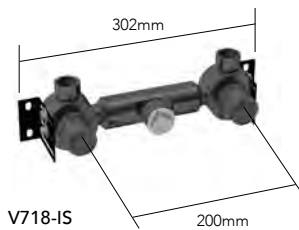
FLOW RATES

0.5 bar 1.8 l/min
1.0 bar 2.6 l/min
3.0 bar 4.0 l/min

Flow can be limited
eg. for BREEAM



V718-IS or V818-IS Roughs



V718-IS

V818-IS

FITTING / APPROVALS

Feeds: 3/4" female with adaptor for 1/2" female
Min fitting depth: 75mm
Max fitting depth: 86mm



V718-IS.XX	€400
V818-IS.XX	€400

Chrome Plate



CP
Polished Chrome



Band A
PN
Polished Nickel



R51
Polished Nickel &
Gloss Black Chrome



Band B
BGM
Brushed Gold Matt



SSB
Stainless Steel Finish
& Matt Black Chrome



SSF
Stainless Steel Finish



Band C
CTB
City Bronze



ABM
Antique Brass Matt



MBC
Matt Black Chrome



E40
Brushed Gold Matt
& City Bronze



S40
Stainless Steel
Finish & City Bronze

Band D



AG
Antique Gold



B51
Antique Gold &
Gloss Black Chrome

ONE HUNDRED COLLECTION Basin

T10K17-1, T10K17-2 Wall mounted basin mixer, trim set (2 spout lengths)

Requires V718-IS or V818-IS



T10K17-1R
T10K17-2R
Roundels

T10K17-1CCR
T10K17-2CCR
Clear crystal roundels

T10K17-1CBR
T10K17-2CBR
Black crystal roundels

PRICING	ROUNDEL		CRYSTAL	
	T10K17-1R	T10K17-2R	T10K17-1CCR	T10K17-2CCR
Polished Chrome	€1,874	€1,952	€2,380	€2,426
Finish Band A	€2,140	€2,190	€2,676	€2,754
Finish Band B	€2,456	€2,454	€2,978	€3,054
Finish Band C	€2,646	€2,742	€3,226	€3,282
Finish Band D	€2,926	€3,066	€3,454	€3,532

FITTING / APPROVALS

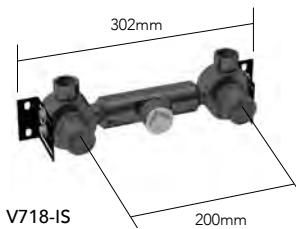
FLOW RATES

0.5 bar 1.8 l/min
1.0 bar 2.6 l/min
3.0 bar 4.0 l/min

Flow can be limited
eg. for BREEAM



V718-IS or V818-IS Roughs



V718-IS



V818-IS

FITTING / APPROVALS

Feeds: 3/4" female with adaptor
for 1/2" female
Min fitting depth: 75mm
Max fitting depth: 86mm



V718-IS.XX €400
V818-IS.XX €400

Chrome Plate



CP
Polished Chrome

Band A



PN
Polished Nickel



R51
Polished Nickel &
Gloss Black Chrome

Band B



BGM
Brushed Gold Matt



SSB
Stainless Steel Finish
& Matt Black Chrome



SSF
Stainless Steel Finish

Band C



CTB
City Bronze



ABM
Antique Brass Matt



MBC
Matt Black Chrome



E40
Brushed Gold Matt
& City Bronze



S40
Stainless Steel
Finish & City Bronze

Band D



AG
Antique Gold



B51
Antique Gold &
Gloss Black Chrome

ONE HUNDRED COLLECTION Basin

V193 1 1/4" Basin bottle trap

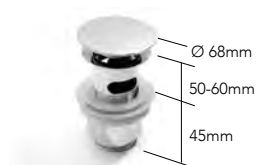
500mm extension tube available, order V193-500 (tube only) - Prices TBA



CP	€276
PN	€306
BGM	€370
SSF	€318
CTB/ABM	€370
MBC	€358
AG	€386

V192 1 1/4" Basin click-clack waste, slotted

For free-flow please order V192-FF



CP	€96
PN	€146
BGM	€156
SSF	€146
CTB/ABM	€168
MBC	€168
AG	€166

VA60 1 1/4" Basin waste with metal plug, chain and stay



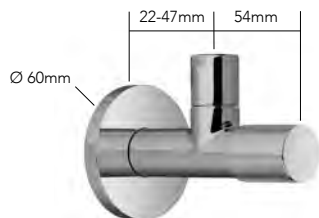
CP	€132
PN	€144
SSF	€150
AG	€184

V192-UNS 1 1/4" Basin click-clack waste, unslotted



CP	€96
PN	€146
BGM	€156
SSF	€146
CTB/ABM	€168
MBC	€168
AG	€166

V190 Angle valve

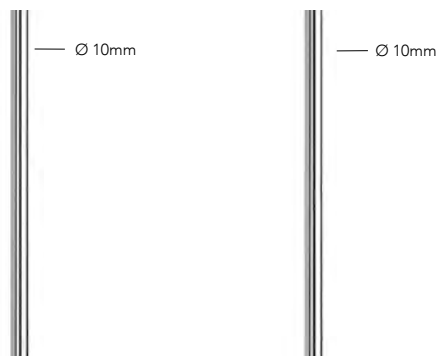


FITTING / APPROVALS

Feed: 1/2"
Outlet: 3/8" or 10mm

CP	€166
PN	€182
BGM	€286
SSF	€250
CTB/ABM	€286
MBC	€266
AG	€300

V986-300 300mm Tube V986-500 500mm Tube



CP	€92
PN	€98
BGM	€110
SSF	€102
CTB/ABM	€120
MBC	€114
AG	€124

CP	€122
PN	€132
BGM	€150
SSF	€140
CTB/ABM	€162
MBC	€156
AG	€172

Bath shower mixer with Wing lever in brushed gold matt



ONE HUNDRED COLLECTION Bath

T10K36 Floor mounted single lever bath / shower mixer

Requires V736-IS



T10K36LA
Wing lever

T10K36LB
Luxe lever

FITTING / APPROVALS

Requires V736-IS (see page 227)

FLOW RATES

Min 3.0 bar

3.0 bar 23.2 l/min



ONE HUNDRED COLLECTION Bath

Chrome Plate



CP
Polished Chrome

Band A



PN
Polished Nickel



R51
Polished Nickel &
Gloss Black Chrome

Band B



BGM
Brushed Gold Matt



SSB
Stainless Steel Finish
& Matt Black Chrome



SSF
Stainless Steel Finish

Band C



CTB
City Bronze



ABM
Antique Brass Matt



MBC
Matt Black Chrome



E40
Brushed Gold Matt
& City Bronze



S40
Stainless Steel
Finish & City Bronze

Band D



AG
Antique Gold



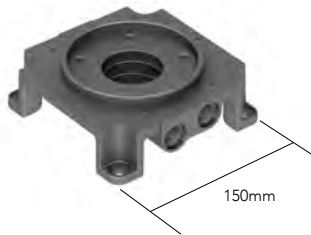
B51
Antique Gold &
Gloss Black Chrome

WING/LUXE

Polished Chrome	€6,816
Finish Band A	€7,672
Finish Band B	€8,532
Finish Band C	€9,218
Finish Band D	€9,912

V736-IS Floor rough for single lever bath / shower mixer

Requires T10K36



Feeds: 1/2" female with adaptor for 1/2" female
Fitting depth: Min 99.5mm - Max 159mm

XX

€1,480



ONE HUNDRED COLLECTION Bath

T10K48 Deck mounted 4 hole bath filler



T10K48LA
Wing levers

T10K48LB
Luxe levers

WING/LUXE

Polished Chrome	€3,830
Finish Band A	€4,326
Finish Band B	€4,806
Finish Band C	€5,180
Finish Band D	€5,554

FITTING / APPROVALS

- Feeds: 3/4"
- Max deck thickness: 50mm
- Max drill hole: 42mm side valve
- Max drill hole: 44mm spout
- Max drill hole: 45mm handset

FLOW RATES

- 1.0 bar 24.0 l/min
- 3.0 bar 67.0 l/min



Chrome Plate



CP
Polished Chrome



Band A
PN
Polished Nickel



R51
Polished Nickel &
Gloss Black Chrome



Band B
BGM
Brushed Gold Matt



SSB
Stainless Steel Finish
& Matt Black Chrome



SSF
Stainless Steel Finish



Band C
CTB
City Bronze



ABM
Antique Brass Matt



MBC
Matt Black Chrome



E40
Brushed Gold Matt
& City Bronze



S40
Stainless Steel
Finish & City Bronze

Band D



AG
Antique Gold



B51
Antique Gold &
Gloss Black Chrome

ONE HUNDRED COLLECTION Bath

T10K48 Deck mounted 4 hole bath filler



T10K48R
Roundels

T10K48CCR
Clear crystal roundels

T10K48CBR
Black crystal roundels

	ROUNDEL	CRYSTAL
Polished Chrome	€3,830	€4,228
Finish Band A	€4,326	€4,780
Finish Band B	€4,806	€5,304
Finish Band C	€5,180	€5,730
Finish Band D	€5,554	€6,154

FITTING / APPROVALS

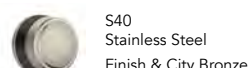
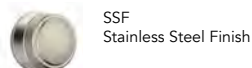
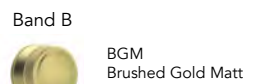
Feeds: 3/4"
 Max deck thickness: 50mm
 Max drill hole: 42mm side valve
 Max drill hole: 44mm spout
 Max drill hole: 45mm handset

FLOW RATES

1.0 bar 24.0 l/min
 3.0 bar 67.0 l/min



Chrome Plate



ONE HUNDRED COLLECTION Bath

T10K47 Wall mounted bath filler, trim set

Requires V718-IS or V818-IS



T10K47LA
Wing levers



T10K47LB
Luxe levers

WING/LUXE

Polished Chrome	€2,156
Finish Band A	€2,426
Finish Band B	€2,704
Finish Band C	€2,930
Finish Band D	€3,128

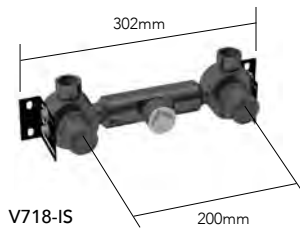
FITTING / APPROVALS

FLOW RATES

0.5 bar 25.0 l/min
1.0 bar 36.0 l/min
3.0 bar 67.0 l/min



V718-IS or V818-IS Roughs



V718-IS



V818-IS

FITTING / APPROVALS

Feeds: 3/4" female with adaptor for 1/2" female

Min fitting depth: 75mm

Max fitting depth: 86mm



V718-IS.XX	€400
V818-IS.XX	€400

Chrome Plate



CP
Polished Chrome



Band A
PN
Polished Nickel



R51
Polished Nickel &
Gloss Black Chrome



Band B
BGM
Brushed Gold Matt



SSB
Stainless Steel Finish
& Matt Black Chrome



SSF
Stainless Steel Finish



Band C
CTB
City Bronze



ABM
Antique Brass Matt



MBC
Matt Black Chrome



E40
Brushed Gold Matt
& City Bronze



S40
Stainless Steel
Finish & City Bronze

ONE HUNDRED COLLECTION Bath

T10K47 Wall mounted bath filler, trim set

Requires V718-IS or V818-IS



T10K47R
Roundels

T10K47CCR
Clear crystal roundels

T10K47CBR
Black crystal roundels

	ROUNDEL	CRYSTAL
Polished Chrome	€2,156	€2,426
Finish Band A	€2,426	€2,754
Finish Band B	€2,704	€3,054
Finish Band C	€2,930	€3,282
Finish Band D	€3,128	€3,532

FITTING / APPROVALS

FLOW RATES

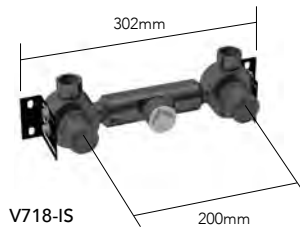
0.5 bar 25.0 l/min

1.0 bar 36.0 l/min

3.0 bar 67.0 l/min



V718-IS or V818-IS Roughs



V718-IS



V818-IS

FITTING / APPROVALS

Feeds: 3/4" female with adaptor for 1/2" female

Min fitting depth: 75mm

Max fitting depth: 86mm



V718-IS.XX	€400
V818-IS.XX	€400

Chrome Plate



CP
Polished Chrome

Band A



PN
Polished Nickel



R51
Polished Nickel &
Gloss Black Chrome

Band B



BGM
Brushed Gold Matt



SSB
Stainless Steel Finish
& Matt Black Chrome



SSF
Stainless Steel Finish

Band C



CTB
City Bronze



ABM
Antique Brass Matt



MBC
Matt Black Chrome



E40
Brushed Gold Matt
& City Bronze



S40
Stainless Steel
Finish & City Bronze

Band D



AG
Antique Gold



B51
Antique Gold &
Gloss Black Chrome

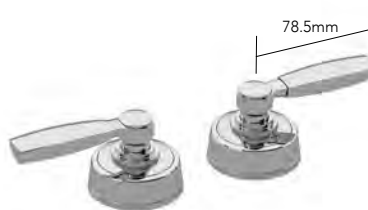
ONE HUNDRED COLLECTION Bath

T10K42 Deck mounted side valves (pair) for overflow filler

Requires V145



T10K42LA
Wing levers



T10K42LB
Luxe levers

	WING/LUXE
Polished Chrome	€1,716
Finish Band A	€1,930
Finish Band B	€2,148
Finish Band C	€2,336
Finish Band D	€2,504

FITTING / APPROVALS

Feeds: 3/4"
Max deck thickness: 50mm
Max drill hole: 42mm

FLOW RATES

0.5 bar 22.0 l/min
3.0 bar 57.0 l/min



T10K42R
Roundels



T10K42CCR
Clear crystal roundels



T10K42CBR
Black crystal roundels

	ROUNDEL	CRYSTAL
Polished Chrome	€1,716	€2,078
Finish Band A	€1,930	€2,352
Finish Band B	€2,148	€2,602
Finish Band C	€2,336	€2,830
Finish Band D	€2,504	€3,032

FITTING / APPROVALS

Feeds: 3/4"
Max deck thickness: 50mm
Max drill hole: 42mm

FLOW RATES

0.5 bar 22.0 l/min
3.0 bar 57.0 l/min



Chrome Plate



CP
Polished Chrome



Band A
PN
Polished Nickel



R51
Polished Nickel &
Gloss Black Chrome



Band B
BGM
Brushed Gold Matt



SSB
Stainless Steel Finish
& Matt Black Chrome



SSF
Stainless Steel Finish



Band C
CTB
City Bronze



ABM
Antique Brass Matt



MBC
Matt Black Chrome



E40
Brushed Gold Matt
& City Bronze



S40
Stainless Steel
Finish & City Bronze



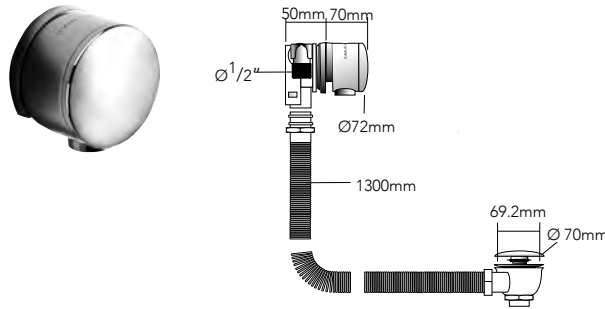
Band D
AG
Antique Gold



B51
Antique Gold &
Gloss Black Chrome

ONE HUNDRED COLLECTION Bath

V145 Overflow filler (high pressure) with click waste



FITTING / APPROVALS

Feeds: 1/2"

For baths up to 8mm thick.
For baths 8-30mm thick please
order extra V145-EXT

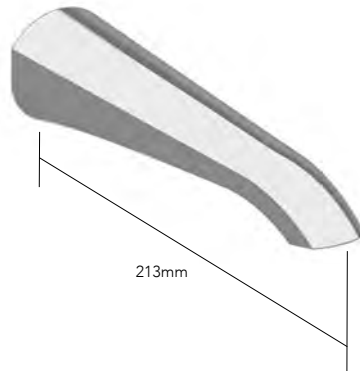
FLOW RATES

1.0 bar 19.0 l/min
3.0 bar 35.0 l/min

CP	€644
PN	€704
BGM	€870
SSF	€742
CTB/ABM	€872
MBC	€834
AG	€908
V145-EXT	€122

T1046 Wall mounted bath spout

Requires V758-IS



FITTING / APPROVALS

Fitting depth: Min 85mm - Max 96mm



CP	€888
PN	€984
BGM	€1,106
SSF	€1,034
CTB/ABM	€1,204
MBC	€1,156
AG	€1,256

V758-IS Spout rough for T1046

Requires T1046



FITTING / APPROVALS

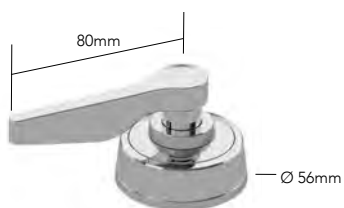
Feeds: 1/2"



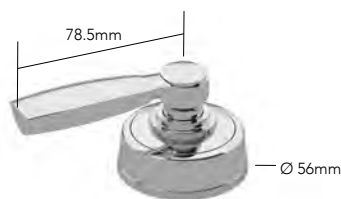
XX	€166
----	------

ONE HUNDRED COLLECTION Bath

T1041 Deck mounted diverter



T1041-LA
Wing levers



T1041-LB
Luxe lever

WING/LUXE

Polished Chrome	€658
Finish Band A	€762
Finish Band B	€838
Finish Band C	€914
Finish Band D	€964

FITTING / APPROVALS

Feeds: 1/2"
Max deck thickness: 55mm



T1041-R
Roundel



T1041-CCR
Clear crystal roundel



T1041-CBR
Black crystal roundel

ROUNDEL

Polished Chrome	€658
Finish Band A	€762
Finish Band B	€838
Finish Band C	€914
Finish Band D	€964

CRYSTAL

€804
€906
€1,008
€1,086
€1,164

FITTING / APPROVALS

Feeds: 1/2"
Max deck thickness: 55mm

Chrome Plate



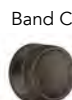
CP
Polished Chrome



Band A
PN
Polished Nickel



Band B
BGM
Brushed Gold Matt



Band C
CTB
City Bronze



Band D
AG
Antique Gold



R51
Polished Nickel &
Gloss Black Chrome



SSB
Stainless Steel Finish
& Matt Black Chrome



ABM
Antique Brass Matt



B51
Antique Gold &
Gloss Black Chrome



SSF
Stainless Steel Finish



MBC
Matt Black Chrome



E40
Brushed Gold Matt
& City Bronze



S40
Stainless Steel
Finish & City Bronze

ONE HUNDRED COLLECTION Bath

T1080 Bath boss for hand shower



FITTING / APPROVALS

Max deck thickness: 50mm
Max drill hole: 48mm

CP	€302
PN	€328
BGM	€386
SSF	€348
CTB/ABM	€406
MBC	€396
AG	€418

V654 Easy clean hand shower

For WRAS approved versions order V654W



FITTING / APPROVALS

Thread: 1/2"



CP	€420
PN	€454
BGM	€514
SSF	€478
CTB/ABM	€562
MBC	€538
AG	€574

V783 Angle bracket



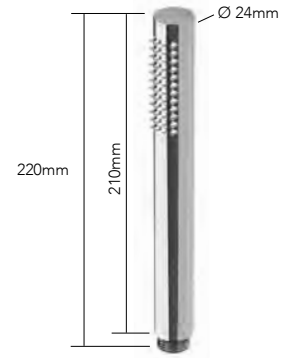
FITTING / APPROVALS

Feed: 1/2"



CP	€156
PN	€168
BGM	€192
SSF	€184
CTB/ABM	€218
MBC	€204
AG	€230

V182 Easy clean hand shower



FITTING / APPROVALS

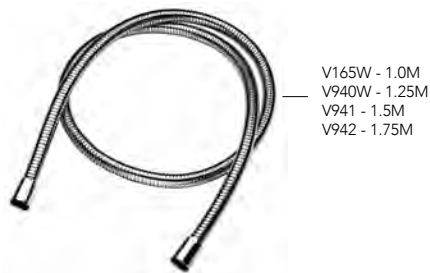
Thread: 1/2"



For WRAS approved version order V182W.

CP	€204
PN	€230
BGM	€276
SSF	€240
CTB/ABM	€276
MBC	€266
AG	€286

V165W, V940W, V941, V942 Hoses



V165W - 1.0M
V940W - 1.25M
V941 - 1.5M
V942 - 1.75M

FITTING / APPROVALS

Thread: 1/2"



For WRAS approved versions order V165W, V940W, V941W or V942W.

	V165W	V940W	V941	V942
CP	€92	€92	€98	€110
PN	€100	€100	€98	€120
BGM	€114	€114	€168	€182
SSF	€104	€104	€134	€146
CTB/ABM	€120	€120	€266	€276
MBC	€116	€116	€146	€158
AG	€124	€124	€182	€192

T166-SPR Bidet spray

We recommend the use of a flow control with this bidet spray.



FITTING / APPROVALS

Feed: 1/2"

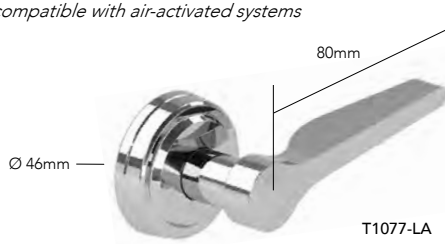


CP	€600
PN	€668
BGM	€764
SSF	€692
CTB/ABM	€812
MBC	€790
AG	€836

ONE HUNDRED COLLECTION Bath

T1077 Cistern lever T1077EXT Extended cistern lever

Not compatible with air-activated systems

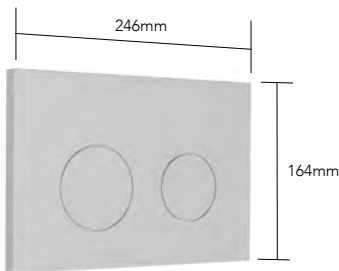


		T1077-LA	T1077EXT-LA
T1077-LA Wing lever	CP	€454	€526
	PN	€502	€586
	BGM	€574	€668
	SSF	€526	€622
	CTB/ABM	€624	€718
	MBC	€598	€692
	AG	€646	€742



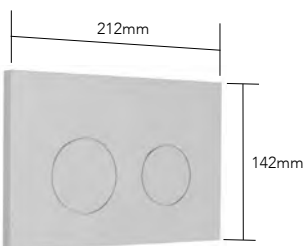
		T1077-LB	T1077EXT-LB
T1077-LB Luxe lever	CP	€454	€526
	PN	€502	€586
	BGM	€574	€668
	SSF	€526	€622
	CTB/ABM	€624	€718
	MBC	€598	€692
	AG	€646	€742

V171 WC Dual flush plate to suit Geberit Sigma concealed cistern



CP	€1,922
PN	€2,002
BGM	€2,112
SSF	€2,070
CTB/ABM	€2,138
MBC	€2,126
AG	€2,274

V172 WC Dual flush plate to suit Geberit Omega concealed cistern



CP	€1,922
PN	€2,002
BGM	€2,112
SSF	€2,070
CTB/ABM	€2,138
MBC	€2,126
AG	€2,274

V197 Bath click-clack waste with overflow for freestanding baths



FITTING / APPROVALS

Feed: 1 1/2"

An extended version for baths with a central waste is available.

			Extended version
FITTING / APPROVALS	CP	€400	€582
	PN	€442	€642
	BGM	€592	€728
	SSF	€460	€670
	CTB/ABM	€562	€786
	MBC	€562	€756
	AG	€562	€816

V392 1 1/2" Bath click-clack waste, slotted V392-UNS 1 1/2" Bath click-clack waste, unslotted



V392



V392-UNS

	V392	V392-UNS
CP	€138	€138
PN	€146	€146
BGM	€174	€174
SSF	€164	€164
CTB/ABM	€240	€240
MBC	€242	€242
AG	€192	€192

VA65 1 1/2" Combined bath waste and overflow with metal plug and chain



FITTING / APPROVALS

Waste: 1 1/2"

CP	€164
PN	€180
BGM	€250
SSF	€250
CTB/ABM	€278
MBC	€250
AG	€228

ONE HUNDRED COLLECTION Bath

VA66 1 1/2" Auto pop-up waste



FITTING / APPROVALS	CP	€292
	PN	€322
	BGM	€366
	SSF	€334
	CTB/ABM	€394
	MBC	€376
	AG	€408

Waste: 1 1/2"

VA67 1 1/2" Auto pop-up waste, extended for large baths



FITTING / APPROVALS	CP	€322
	PN	€352
	BGM	€400
	SSF	€368
	CTB/ABM	€430
	MBC	€412
	AG	€446

Waste: 1 1/2"

V195 Low P trap for freestanding bath



FITTING / APPROVALS	CP	€134
	PN	€166
	SSF	€192

Waste: 1 1/2"

ONE HUNDRED COLLECTION Shower

T10B2LA09 or T10B2LB09 1/2" Concealed thermostatic shower, 2 flow controls

Includes V663 easy clean shower head and V654 hand shower.

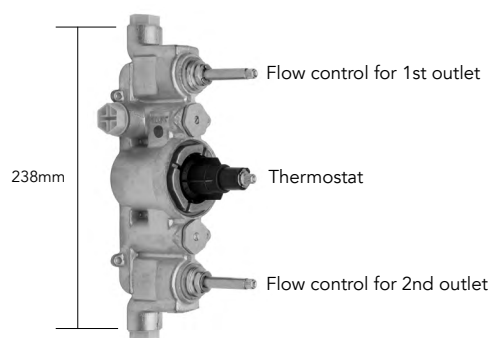
Requires V135-IS concealed valve.



T10B2LA09
Wing levers



T10B2LB09
Luxe levers



V135-IS Concealed thermostatic valve - rough

Requires T10B2. This valve has 2 controlled outlets which can operate simultaneously.

FITTING / APPROVALS

Feeds: 1/2"

Projection of valve: 55mm

Extension kits are available.

PRICING

Polished Chrome

€4,228

Finish Band A

€4,812

Finish Band B

€4,896

Finish Band C

€5,738

Finish Band D

€6,168

WING/ LUXE

ROUGH

€952

FITTING / APPROVALS

Feeds: 1/2"

Fitting depth: Min 109mm - Max 120mm from finished tiled surface to rear of fixing, when used with T10B1 trim.

Extension kits are available V135-EXT adding 25mm to fitting depth. If necessary more than one extension kit can be used.

FLOW RATES

0.5 bar 12.0 l/min

3.0 bar 32.0 l/min

Flow can be limited eg. for BREEAM



Chrome Plate



CP
Polished Chrome



Band A

PN
Polished Nickel



R51
Polished Nickel &
Gloss Black Chrome



Band B

BGM
Brushed Gold Matt



SSB
Stainless Steel Finish
& Matt Black Chrome



SSF
Stainless Steel Finish



Band C

CTB
City Bronze



ABM
Antique Brass Matt



MBC
Matt Black Chrome



E40
Brushed Gold Matt
& City Bronze



S40
Stainless Steel
Finish & City Bronze



Band D

AG
Antique Gold



B51
Antique Gold &
Gloss Black Chrome

ONE HUNDRED COLLECTION Shower

T10B2R09 or T10B2CCR09 or T10B2CBR09 1/2" Concealed thermostatic shower, 2 flow controls

Includes V663 easy clean shower head and V654 hand shower.

Requires V135-IS concealed valve.



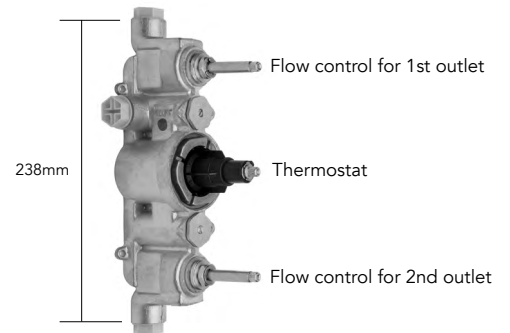
T10B2R09
Roundels



T10B2CCR09
Clear crystal
roundels



T10B2CBR09
Black crystal
roundels



V135-IS Concealed thermostatic valve - rough
Requires T10B2. This valve has 2 controlled
outlets which can operate simultaneously.

PRICING

Polished Chrome

ROUNDEL

€4,288

CRYSTAL

€5,012

ROUGH

€952

Finish Band A

€4,812

€5,606

FITTING / APPROVALS

Feeds: 1/2"

Fitting depth: Min 109mm - Max 120mm
from finished tiled surface to rear of fixing,
when used with T10B1 trim.

Finish Band B

€4,896

€6,200

Finish Band C

€5,738

€6,676

Finish Band D

€6,168

€7,154

Extension kits are available V135-EXT
adding 25mm to fitting depth. If necessary
more than one extension kit can be used.

FLOW RATES

0.5 bar 12.0 l/min

3.0 bar 32.0 l/min

Flow can be limited
eg. for BREEAM



Chrome Plate



CP
Polished Chrome



Band A

PN
Polished Nickel



R51
Polished Nickel &
Gloss Black Chrome



Band B

BGM
Brushed Gold Matt



SSB
Stainless Steel Finish
& Matt Black Chrome



SSF
Stainless Steel Finish



Band C

CTB
City Bronze



ABM
Antique Brass Matt



MBC
Matt Black Chrome



E40
Brushed Gold Matt
& City Bronze



S40
Stainless Steel
Finish & City Bronze



Band D

AG
Antique Gold



B51
Antique Gold &
Gloss Black Chrome

ONE HUNDRED COLLECTION Shower

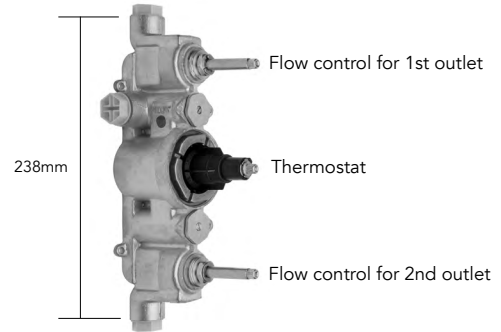
T10B1LA09 or T10B1LB09 1/2" Concealed thermostatic shower, 2 flow controls

Includes V663 easy clean shower head and V654 hand shower.
Requires V135-IS concealed valve.



T10B1LA09
Wing levers

T10B1LB09
Luxe levers



V135-IS Concealed thermostatic valve - rough
Requires T10B1. This valve has 2 controlled outlets which can operate simultaneously.

FITTING / APPROVALS

Feeds: 1/2"
Projection of valve: 55mm
Extension kits are available.

PRICING

Polished Chrome	€5,332
Finish Band A	€5,976
Finish Band B	€6,642
Finish Band C	€7,168
Finish Band D	€7,690

WING/ LUXE

ROUGH

€952

FITTING / APPROVALS

Feeds: 1/2"
Fitting depth: Min 109mm - Max 120mm from finished tiled surface to rear of fixing, when used with T10B1 trim.

Extension kits are available V135-EXT adding 25mm to fitting depth. If necessary more than one extension kit can be used.

FLOW RATES

0.5 bar 12.0 l/min
3.0 bar 32.0 l/min

Flow can be limited eg. for BREEAM



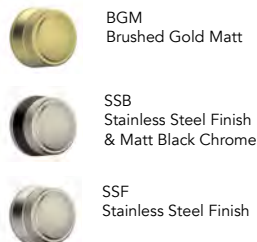
Chrome Plate



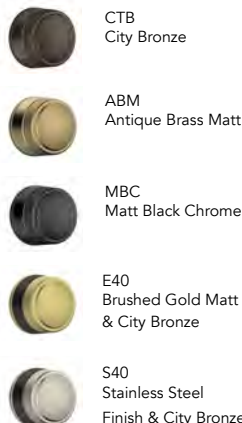
Band A



Band B



Band C



Band D

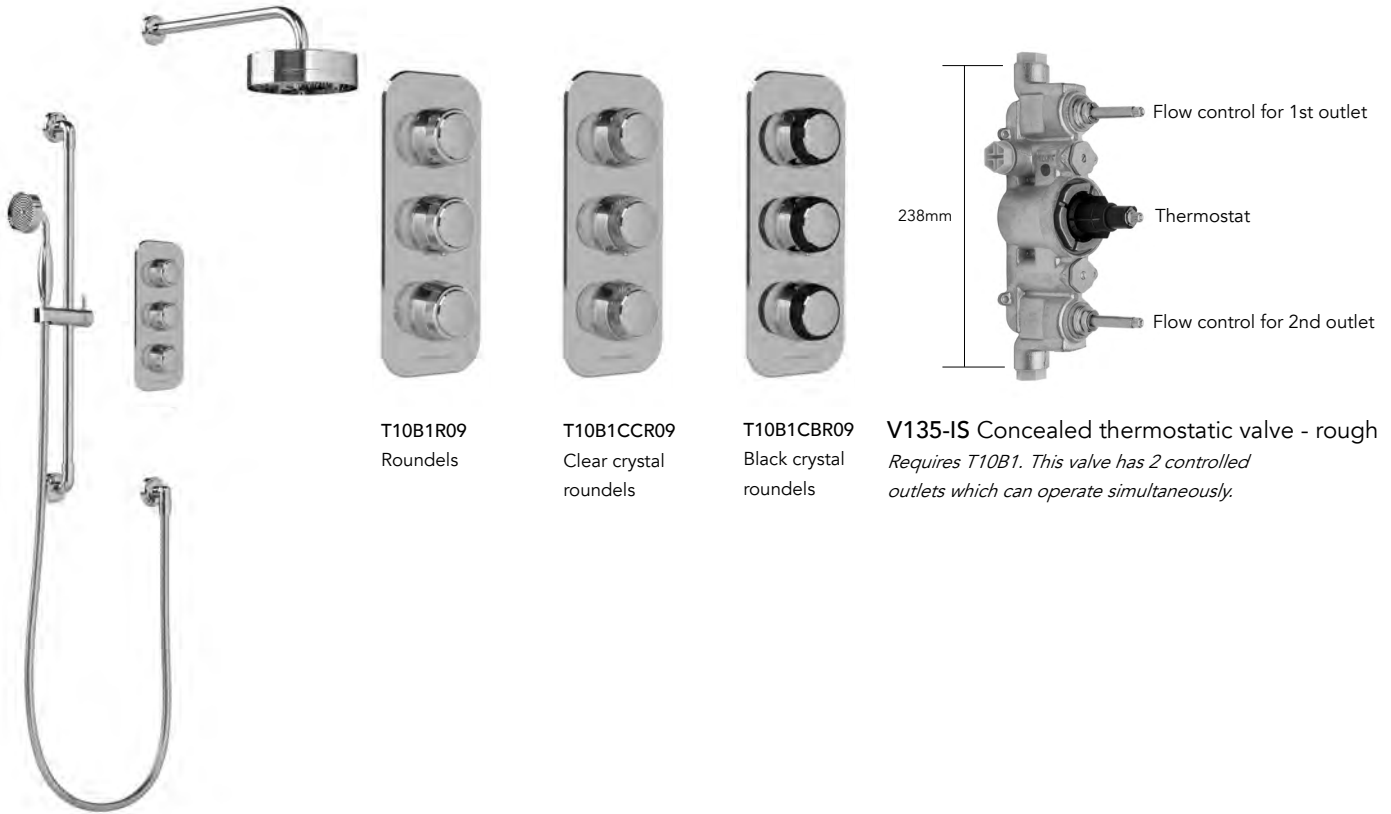


ONE HUNDRED COLLECTION Shower

T10B1R09 or T10B1CCR09 or T10B1CBR09 1/2" Concealed thermostatic shower, 2 flow controls

Includes V663 easy clean shower head and V654 hand shower.

Requires V135-IS concealed valve.



T10B1R09
Roundels

T10B1CCR09
Clear crystal
roundels

T10B1CBR09
Black crystal
roundels

V135-IS Concealed thermostatic valve - rough
Requires T10B1. This valve has 2 controlled
outlets which can operate simultaneously.

PRICING

Polished Chrome

ROUNDEL

€5,332

CRYSTAL

€6,060

ROUGH

€952

Finish Band A

€5,976

€6,772

FITTING / APPROVALS

Feeds: 1/2"

Fitting depth: Min 109mm - Max 120mm
from finished tiled surface to rear of fixing,
when used with T10B1 trim.

Finish Band B

€6,642

€7,508

Finish Band C

€7,168

€8,104

Finish Band D

€7,690

€8,680

Extension kits are available V135-EXT
adding 25mm to fitting depth. If necessary
more than one extension kit can be used.

FLOW RATES

0.5 bar 12.0 l/min

3.0 bar 32.0 l/min

Flow can be limited
eg. for BREEAM



Chrome Plate



CP
Polished Chrome



PN
Polished Nickel



R51
Polished Nickel &
Gloss Black Chrome



BGM
Brushed Gold Matt



SSB
Stainless Steel Finish
& Matt Black Chrome



SSF
Stainless Steel Finish



CTB
City Bronze



ABM
Antique Brass Matt



MBC
Matt Black Chrome



E40
Brushed Gold Matt
& City Bronze



S40
Stainless Steel
Finish & City Bronze



AG
Antique Gold

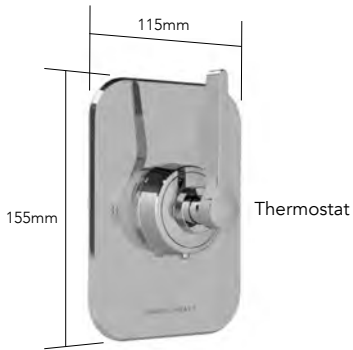


B51
Antique Gold &
Gloss Black Chrome

ONE HUNDRED COLLECTION Shower

T1000-LA or -LB Trim set for V133-IS thermostatic valve

Requires V133-IS concealed valve.

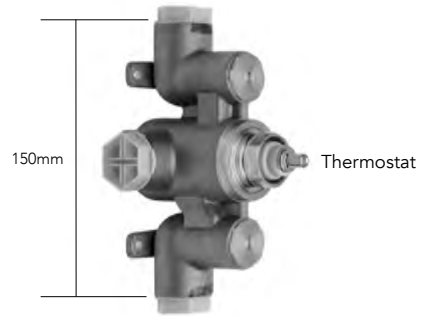


T1000-LA
Wing lever

Projection of valve: 55mm T1000-LA
Options: T1007 flow control



T1000-LB
Luxe lever



V133-IS Concealed thermostatic valve - rough

Requires T1000. This valve has 2 open outlets.
Use T1007 for each.

PRICING	WING/ LUXE
Polished Chrome	€1,090
Finish Band A	€1,242
Finish Band B	€1,366
Finish Band C	€1,488
Finish Band D	€1,586

ROUGH

€552

FITTING / APPROVALS

Feeds: 3/4"

Fitting depth: Min 88mm - Max 99mm
from finished tiled surface to rear of fixing,
when used with T1000 trim.

Extension kits are available V133-EXT
adding 25mm to fitting depth. If necessary
more than one extension kit can be used.
Further outlets can be configured.

FLOW RATES

0.5 bar 12.0 l/min
3.0 bar 32.0 l/min

Flow can be limited
eg. for BREEAM



Chrome Plate



CP
Polished Chrome



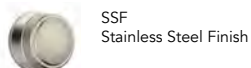
PN
Polished Nickel

R51
Polished Nickel &
Gloss Black Chrome

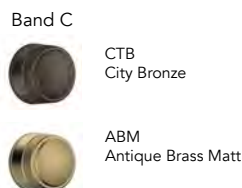


BGM
Brushed Gold Matt

SSB
Stainless Steel Finish
& Matt Black Chrome



SSF
Stainless Steel Finish



CTB
City Bronze

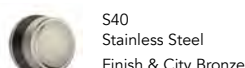
ABM
Antique Brass Matt



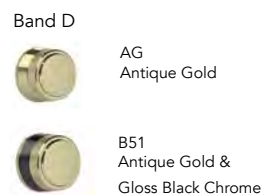
MBC
Matt Black Chrome



E40
Brushed Gold Matt
& City Bronze



S40
Stainless Steel
Finish & City Bronze



AG
Antique Gold

B51
Antique Gold &
Gloss Black Chrome

ONE HUNDRED COLLECTION Shower

T1000-R or -CCR or -CBR Trim set for V133-IS thermostatic valve

Requires V133-IS concealed valve.



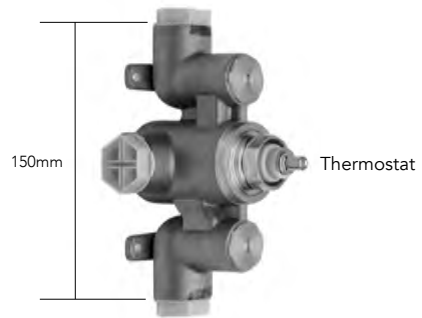
T1000-R
Roundel



T1000-CCR
Clear crystal roundel



T1000-CBR
Black crystal roundel



V133-IS Concealed thermostatic valve - rough

Requires T1000. This valve has 2 open outlets.
Use T1007 for each.

PRICING

Polished Chrome

Finish Band A

Finish Band B

Finish Band C

Finish Band D

ROUNDEL

€1,090

€1,242

€1,366

€1,488

€1,586

CRYSTAL

€1,726

€1,884

€2,074

€2,252

€2,378

ROUGH

€552

FITTING / APPROVALS

Feeds: 3/4"

Fitting depth: Min 88mm - Max 99mm
from finished tiled surface to rear of fixing,
when used with T1000 trim.

Extension kits are available V133-EXT
adding 25mm to fitting depth. If necessary
more than one extension kit can be used.
Further outlets can be configured.

FLOW RATES

0.5 bar 12.0 l/min

3.0 bar 32.0 l/min

Flow can be limited
eg. for BREEAM



Chrome Plate



CP
Polished Chrome

Band A



PN
Polished Nickel



R51
Polished Nickel &
Gloss Black Chrome

Band B



BGM
Brushed Gold Matt



SSB
Stainless Steel Finish
& Matt Black Chrome



SSF
Stainless Steel Finish

Band C



CTB
City Bronze



ABM
Antique Brass Matt



MBC
Matt Black Chrome



E40
Brushed Gold Matt
& City Bronze



S40
Stainless Steel
Finish & City Bronze

Band D



AG
Antique Gold

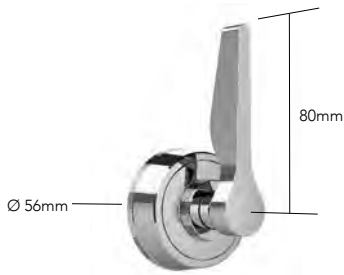


B51
Antique Gold &
Gloss Black Chrome

ONE HUNDRED COLLECTION Shower

T1007-LA or -LB Trim set for V607-IS flow control

Requires V607-IS

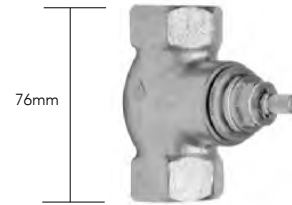


T1007-LA
Wing lever

Projection: 51mm T1007-LA



T1007-LB
Luxe lever



V607-IS Concealed flow control - rough
Requires T1007

PRICING

Polished Chrome	€664
Finish Band A	€764
Finish Band B	€836
Finish Band C	€908
Finish Band D	€984

WING/ LUXE

ROUGH

€160

FITTING / APPROVALS

Feeds: 3/4"

Fitting depth: Min 59mm - Max 69mm
from finished tiled surface to centre,
when used with T1007.

*Extension kits are available V607-EXT
adding 25mm to fitting depth. If necessary
more than one extension kit can be used.*

FLOW RATES

0.1 bar 22.2 l/min
3.0 bar 34.2 l/min
Flow can be limited
eg. for BREEAM



Chrome Plate



CP
Polished Chrome



Band A
PN
Polished Nickel



R51
Polished Nickel &
Gloss Black Chrome



Band B
BGM
Brushed Gold Matt



SSB
Stainless Steel Finish
& Matt Black Chrome



SSF
Stainless Steel Finish



Band C
CTB
City Bronze



ABM
Antique Brass Matt



MBC
Matt Black Chrome



E40
Brushed Gold Matt
& City Bronze



S40
Stainless Steel
Finish & City Bronze



AG
Antique Gold



B51
Antique Gold &
Gloss Black Chrome

ONE HUNDRED COLLECTION Shower

T1007-R or -CCR or -CBR Trim set for V607-IS flow control

Requires V607-IS



T1007-R
Roundel



T1007-CCR
Clear crystal roundel



T1007-CBR
Black crystal roundel



V607-IS Concealed flow control - rough
Requires T1007

PRICING

Polished Chrome

Finish Band A

Finish Band B

Finish Band C

Finish Band D

ROUNDEL

€664

€764

€836

€908

€984

CRYSTAL

€854

€976

€1,078

€1,152

€1,254

ROUGH

€160

FITTING / APPROVALS

Feeds: 3/4"

Fitting depth: Min 59mm - Max 69mm
from finished tiled surface to centre,
when used with T1007.

*Extension kits are available V607-EXT
adding 25mm to fitting depth. If necessary
more than one extension kit can be used.*

FLOW RATES

0.1 bar 22.2 l/min

3.0 bar 34.2 l/min

Flow can be limited

eg. for BREEAM



Chrome Plate



CP
Polished Chrome

Band A



PN
Polished Nickel



R51
Polished Nickel &
Gloss Black Chrome

Band B



BGM
Brushed Gold Matt



SSB
Stainless Steel Finish
& Matt Black Chrome



SSF
Stainless Steel Finish

Band C



CTB
City Bronze



ABM
Antique Brass Matt



MBC
Matt Black Chrome



E40
Brushed Gold Matt
& City Bronze



S40
Stainless Steel
Finish & City Bronze

Band D



AG
Antique Gold

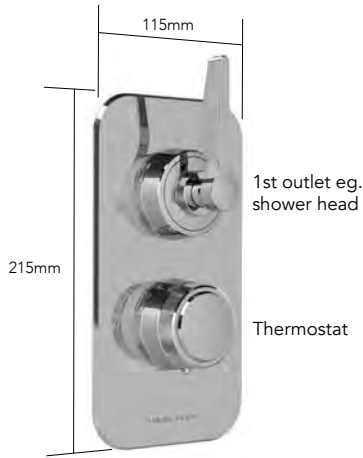


B51
Antique Gold &
Gloss Black Chrome

ONE HUNDRED COLLECTION Shower

T1001-LA or -LB Trim set for V134-IS thermostatic valve

Requires V134-IS

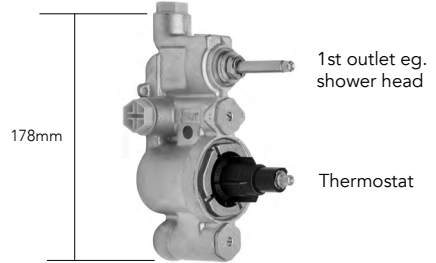


T1001-LA
Wing lever



T1001-LB
Luxe lever

Projection of valve: 55mm T1001-LA



V134-IS Concealed thermostatic valve - rough

Requires T1001. This valve has 1 controlled outlet.

PRICING

Polished Chrome

Finish Band A

Finish Band B

Finish Band C

Finish Band D

WING/ LUXE

€1,694

€1,914

€2,136

€2,306

€2,484

ROUGH

€712

FITTING / APPROVALS

Feeds: 1/2"

Fitting depth: Min 109mm - Max 120mm from finished tiled surface to rear of fixing, when used with T1001 trim.

Extension kits are available V134-EXT adding 25mm to fitting depth. If necessary more than one extension kit can be used.

FLOW RATES

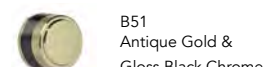
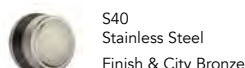
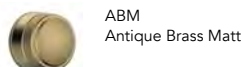
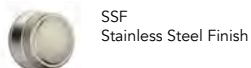
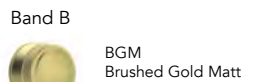
0.5 bar 10.0 l/min

3.0 bar 29.6 l/min

Flow can be limited eg. for BREEAM



Chrome Plate



ONE HUNDRED COLLECTION Shower

T1001-R or -CCR or -CBR Trim set for V134-IS thermostatic valve

Requires V134-IS



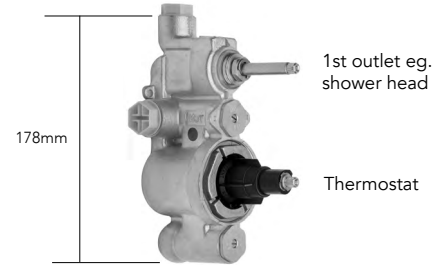
T1001-R
Roundel



T1001-CCR
Clear crystal roundel



T1001-CBR
Black crystal roundel



V134-IS Concealed thermostatic valve - rough
Requires T1001. This valve has 1 controlled outlet.

PRICING

Polished Chrome
Finish Band A
Finish Band B
Finish Band C
Finish Band D

ROUNDEL

€1,694
€1,914
€2,136
€2,306
€2,484

CRYSTAL

€2,254
€2,552
€2,830
€3,054
€3,282

ROUGH

€712

FITTING / APPROVALS

Feeds: 1/2"

Fitting depth: Min 109mm - Max 120mm
from finished tiled surface to rear of fixing,
when used with T1001 trim.

Extension kits are available V134-EXT
adding 25mm to fitting depth. If necessary
more than one extension kit can be used.

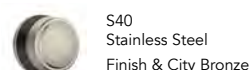
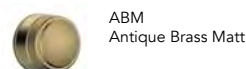
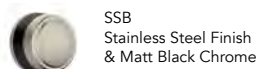
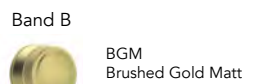
FLOW RATES

0.5 bar 10.0 l/min
3.0 bar 29.6 l/min

Flow can be limited
eg. for BREEAM



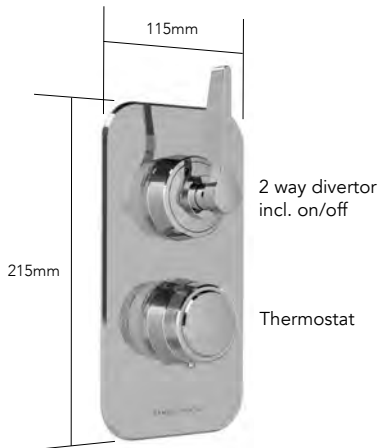
Chrome Plate



ONE HUNDRED COLLECTION Shower

T1011-LA or -LB Trim set for V111-IS thermostatic valve with 2-way diverter

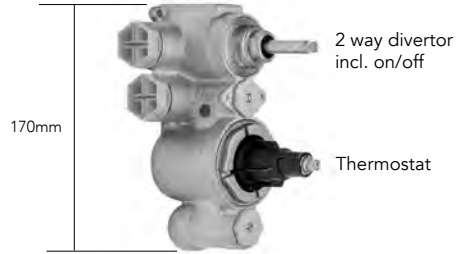
Requires V111-IS



T1011-LA
Wing lever



T1011-LB
Luxe lever



V111-IS Concealed thermostatic valve - rough
Requires T1011. This valve has a 2-way diverter.

Projection of valve: 55mm T1011-LA

PRICING

Polished Chrome

WING/ LUXE

€1,744

Finish Band A

€1,964

Finish Band B

€2,182

Finish Band C

€2,360

Finish Band D

€2,528

ROUGH

€788

FITTING / APPROVALS

Feeds: 1/2"

Fitting depth: Min 109mm - Max 120mm
from finished tiled surface to rear of fixing,
when used with T1011 trim.

Extension kits are available V111-EXT
adding 25mm to fitting depth. If necessary
more than one extension kit can be used.

FLOW RATES

0.5 bar 10.0 l/min

3.0 bar 29.6 l/min

Flow can be limited
eg. for BREEAM



WRAS approval pending

Chrome Plate



CP
Polished Chrome



Band A
PN
Polished Nickel



R51
Polished Nickel &
Gloss Black Chrome



Band B
BGM
Brushed Gold Matt



SSB
Stainless Steel Finish
& Matt Black Chrome



SSF
Stainless Steel Finish



Band C
CTB
City Bronze



ABM
Antique Brass Matt



MBC
Matt Black Chrome



E40
Brushed Gold Matt
& City Bronze



S40
Stainless Steel
Finish & City Bronze

Band D

AG
Antique Gold



B51
Antique Gold &
Gloss Black Chrome

ONE HUNDRED COLLECTION Shower

T1011-R or -CCR or -CBR Trim set for V111-IS thermostatic valve with 2-way diverter

Requires V111-IS



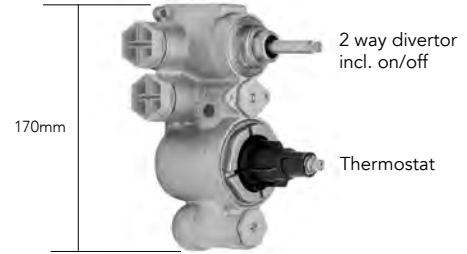
T1011-R
Roundel



T1011-CCR
Clear crystal roundel



T1011-CBR
Black crystal roundel



V111-IS Concealed thermostatic valve - rough
Requires T1011. This valve has a 2-way diverter.

PRICING

Polished Chrome

Finish Band A

Finish Band B

Finish Band C

Finish Band D

ROUNDEL

€1,744

€1,964

€2,182

€2,360

€2,528

CRYSTAL

€2,282

€2,578

€2,850

€3,078

€3,304

ROUGH

€788

FITTING / APPROVALS

Feeds: 1/2"

Fitting depth: Min 109mm - Max 120mm
from finished tiled surface to rear of fixing,
when used with T1011 trim.

Extension kits are available V111-EXT
adding 25mm to fitting depth. If necessary
more than one extension kit can be used.

FLOW RATES

0.5 bar 10.0 l/min

3.0 bar 29.6 l/min

Flow can be limited
eg. for BREEM



WRAS approval pending

Chrome Plate



CP
Polished Chrome

Band A



PN
Polished Nickel



R51
Polished Nickel &
Gloss Black Chrome

Band B



BGM
Brushed Gold Matt



SSB
Stainless Steel Finish
& Matt Black Chrome



SSF
Stainless Steel Finish

Band C



CTB
City Bronze



ABM
Antique Brass Matt



MBC
Matt Black Chrome



E40
Brushed Gold Matt
& City Bronze



S40
Stainless Steel
Finish & City Bronze

Band D



AG
Antique Gold

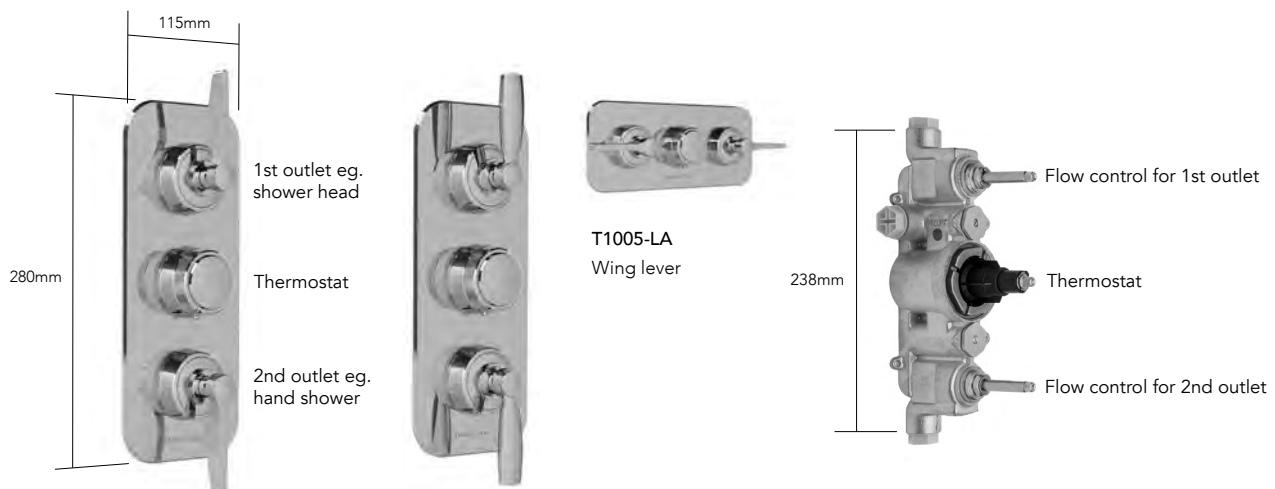


B51
Antique Gold &
Gloss Black Chrome

ONE HUNDRED COLLECTION Shower

T1002-LA or -LB, T1005-LA or -LB Trim set for V135-IS thermostatic valve - 2 separate flow controls

Requires V135-IS



T1002-LA
Wing lever

T1002-LB
Luxe lever

V135-IS Concealed thermostatic valve - rough

Requires T1002 or T1005. This valve has 2 controlled outlets which can operate simultaneously.

Projection of valve: 55mm T1002-LA

PRICING

Polished Chrome
Finish Band A
Finish Band B
Finish Band C
Finish Band D

WING/ LUXE

€2,380
€2,702
€2,996
€3,218
€3,464

ROUGH

€952

FITTING / APPROVALS

Feeds: 1/2"

Fitting depth: Min 109mm - Max 120mm
from finished tiled surface to rear of fixing,
when used with T1002 or T1005 trim.

Extension kits are available V135-EXT
adding 25mm to fitting depth. If necessary
more than one extension kit can be used.

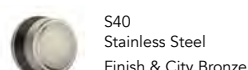
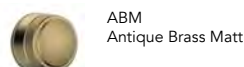
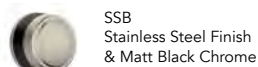
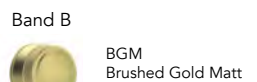
FLOW RATES

0.5 bar 12.0 l/min
3.0 bar 32.0 l/min

Flow can be limited
eg. for BREEAM



Chrome Plate



ONE HUNDRED COLLECTION Shower

T1002-R or -CCR or -CBR, T1005-R or -CCR or -CBR Trim set for V135-IS thermostatic valve - 2 separate flow controls

Requires V135-IS



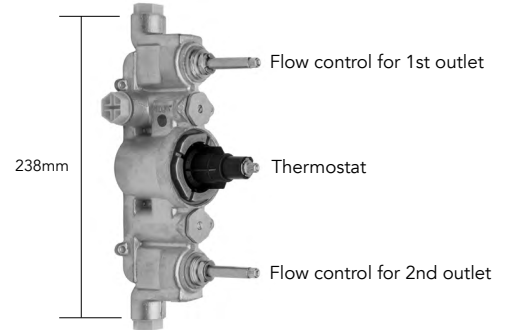
T1002-R
Roundel



T1002-CCR
Clear crystal roundel



T1002-CBR
Black crystal roundel



V135-IS Concealed thermostatic valve - rough

Requires T1002 or T1005. This valve has 2 controlled outlets which can operate simultaneously.

PRICING

Polished Chrome

Finish Band A

Finish Band B

Finish Band C

Finish Band D

ROUNDEL

€2,380

€2,702

€2,996

€3,218

€3,464

CRYSTAL

€3,078

€3,476

€3,852

€4,180

€4,478

ROUGH

€952

FITTING / APPROVALS

Feeds: 1/2"

Fitting depth: Min 109mm - Max 120mm
from finished tiled surface to rear of fixing,
when used with T1002 or T1005 trim.

Extension kits are available V135-EXT
adding 25mm to fitting depth. If necessary
more than one extension kit can be used.

FLOW RATES

0.5 bar 12.0 l/min

3.0 bar 32.0 l/min

Flow can be limited
eg. for BREEAM



Chrome Plate



CP
Polished Chrome

Band A



PN
Polished Nickel



R51
Polished Nickel &
Gloss Black Chrome

Band B



BGM
Brushed Gold Matt



SSB
Stainless Steel Finish
& Matt Black Chrome



SSF
Stainless Steel Finish

Band C



CTB
City Bronze



ABM
Antique Brass Matt



MBC
Matt Black Chrome



E40
Brushed Gold Matt
& City Bronze



S40
Stainless Steel
Finish & City Bronze

Band D



AG
Antique Gold

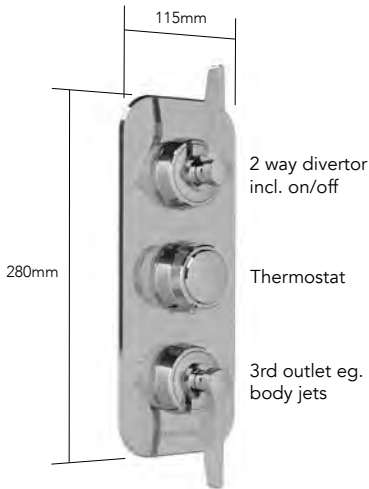


B51
Antique Gold &
Gloss Black Chrome

ONE HUNDRED COLLECTION Shower

T1003-LA or -LB Trim set for V132-IS thermostatic valve - 2- way divertor with flow control for 3rd outlet

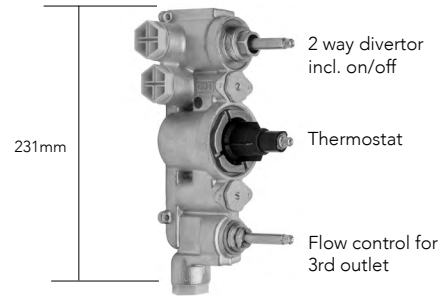
Requires V132-IS



T1003-LA
Wing lever



T1003-LB
Luxe lever



V132-IS Concealed thermostatic valve - rough

Requires T1003. This valve has a two-way divertor plus an extra controlled outlet giving 3 options.

Projection of valve: 55mm T1003-LA

PRICING

	WING/ LUXE
Polished Chrome	€2,380
Finish Band A	€2,702
Finish Band B	€2,996
Finish Band C	€3,218
Finish Band D	€3,464

ROUGH

€1,048

FITTING / APPROVALS

Feeds: 3/4"

Fitting depth: Min 109mm - Max 120mm from finished tiled surface to rear of fixing, when used with T1003 trim.

Extension kits are available V132-EXT adding 25mm to fitting depth. If necessary more than one extension kit can be used.

FLOW RATES

0.5 bar 15.0 l/min

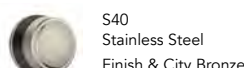
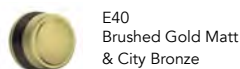
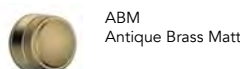
3.0 bar 40.5 l/min

Flow can be limited eg. for BREEAM



WRAS approval pending

Chrome Plate



ONE HUNDRED COLLECTION Shower

T1003-R, -CCR or -CBR Trim set for V132-IS thermostatic valve - 2- way diverter with flow control for 3rd outlet

Requires V132-IS



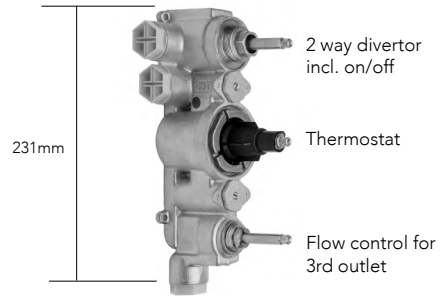
T1003-R
Roundel



T1003-CCR
Clear crystal roundel



T1003-CBR
Black crystal roundel



V132-IS Concealed thermostatic valve - rough
Requires T1003. This valve has a two-way diverter plus an extra controlled outlet giving 3 options.

PRICING

Polished Chrome
Finish Band A
Finish Band B
Finish Band C
Finish Band D

ROUNDEL

€2,380
€2,702
€2,996
€3,218
€3,464

CRYSTAL

€3,078
€3,476
€3,852
€4,180
€4,478

ROUGH

€1,048

FITTING / APPROVALS

Feeds: 3/4"

Fitting depth: Min 109mm - Max 120mm
from finished tiled surface to rear of fixing,
when used with T1003 trim.

Extension kits are available V132-EXT
adding 25mm to fitting depth. If necessary
more than one extension kit can be used.

FLOW RATES

0.5 bar 15.0 l/min
3.0 bar 40.5 l/min

Flow can be limited
eg. for BREEAM



WRAS approval pending

Chrome Plate



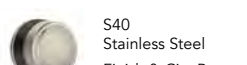
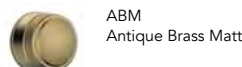
Band A



Band B



Band C



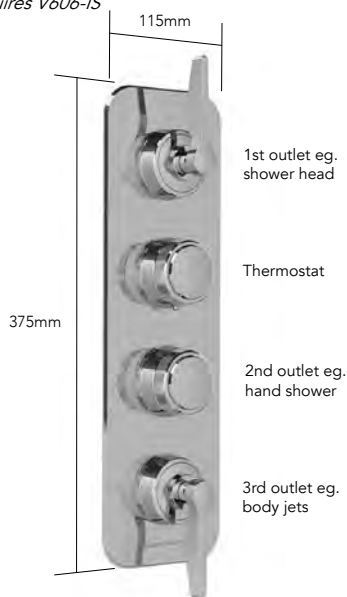
Band D



ONE HUNDRED COLLECTION Shower

T1006-LA or -LB Trim set for V606-IS thermostatic valve - 3 separate flow controls with 4th open outlet

Requires V606-IS

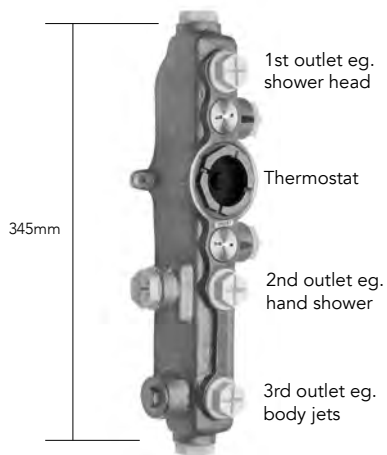


T1006-LA
Wing lever

Projection of valve: 55mm T1006-LA



T1006-LB
Luxe lever



V606-IS Concealed thermostatic valve - rough

Requires T1006. This valve has 3 controlled outlets and 1 open outlet giving 4 options, which can operate simultaneously. Open outlet requires T1007 if used

PRICING

PRICING	WING/ LUXE
Polished Chrome	€3,290
Finish Band A	€3,710
Finish Band B	€4,126
Finish Band C	€4,444
Finish Band D	€4,784

PRICING

€1,364

FITTING / APPROVALS

Feeds: 3/4"
Fitting depth: Min 108mm - Max 117mm from finished tiled surface to rear of fixing, when used with T1006 trim.

Extension kits are available V606-EXT adding 25mm to fitting depth.

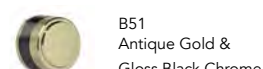
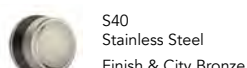
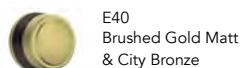
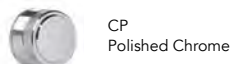
FLOW RATES

0.5 bar 12.0 l/min
3.0 bar 33.0 l/min

Flow can be limited eg. for BREEAM



Chrome Plate



ONE HUNDRED COLLECTION Shower

T1006-R, -CCR or -CBR Trim set for V606-IS thermostatic valve - 3 separate flow controls with 4th open outlet
Requires V606-IS



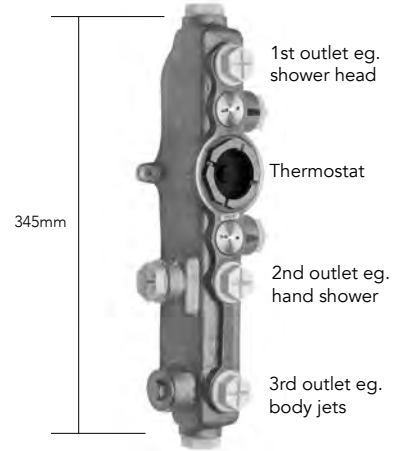
T1006-R
Roundel



T1006-CCR
Clear crystal roundel



T1006-CBR
Black crystal roundel



V606-IS Concealed thermostatic valve - rough
Requires T1006. This valve has 3 controlled outlets and 1 open outlet giving 4 options, which can operate simultaneously. Open outlet requires T1007 if used

PRICING

Polished Chrome
 Finish Band A
 Finish Band B
 Finish Band C
 Finish Band D

ROUNDEL

€3,290
 €3,710
 €4,126
 €4,444
 €4,784

CRYSTAL

€4,254
 €4,806
 €5,328
 €5,752
 €6,180

PRICING

€1,364

FITTING / APPROVALS

Feeds: 3/4"
 Fitting depth: Min 108mm - Max 117mm
 from finished tiled surface to rear of fixing,
 when used with T1006 trim.

Extension kits are available V606-EXT
 adding 25mm to fitting depth.

FLOW RATES

0.5 bar 12.0 l/min
 3.0 bar 33.0 l/min

Flow can be limited
 eg. for BREEAM



Chrome Plate



CP
Polished Chrome



Band A
PN
Polished Nickel



R51
Polished Nickel &
Gloss Black Chrome



Band B
BGM
Brushed Gold Matt



SSB
Stainless Steel Finish
& Matt Black Chrome



SSF
Stainless Steel Finish



Band C
CTB
City Bronze



ABM
Antique Brass Matt



MBC
Matt Black Chrome



E40
Brushed Gold Matt
& City Bronze



S40
Stainless Steel
Finish & City Bronze



Band D
AG
Antique Gold

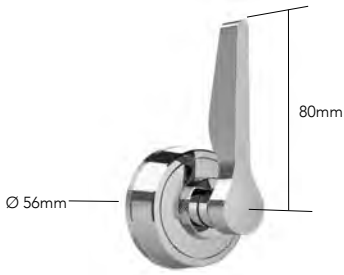


B51
Antique Gold &
Gloss Black Chrome

ONE HUNDRED COLLECTION Shower

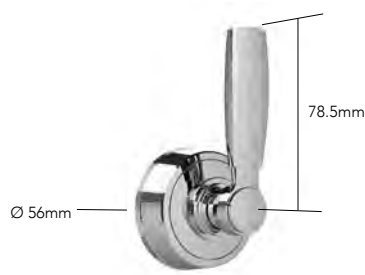
T1068 Trim set for V168-IS concealed 3 way diverter

Requires V168-IS

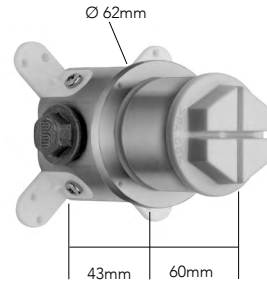


T1068-LA
Wing lever

Projection of valve: 51mm T1068-LA



T1068-LB
Luxe lever



V168-IS Concealed 3-way divertor - rough

Requires T1068.

- One inlet, three outlets (one can be closed off)

PRICING

	WING/LUXE
Polished Chrome	€664
Finish Band A	€764
Finish Band B	€836
Finish Band C	€908
Finish Band D	€984

PRICING

€452

FITTING / APPROVALS

Feeds: 1/2"

Fitting depth: Min 103mm - Max 114mm from finished tiled surface to rear of fixing, when used with T1068 trim.

Can be used for deck mounting providing the unit is supported sufficiently.

FLOW RATES

0.5 bar 14.0 l/min

3.0 bar 37.2 l/min



Chrome Plate



CP
Polished Chrome

Band A



PN
Polished Nickel



R51
Polished Nickel &
Gloss Black Chrome

Band B



BGM
Brushed Gold Matt



SSB
Stainless Steel Finish
& Matt Black Chrome



SSF
Stainless Steel Finish

Band C



CTB
City Bronze



ABM
Antique Brass Matt



MBC
Matt Black Chrome



E40
Brushed Gold Matt
& City Bronze



S40
Stainless Steel
Finish & City Bronze

Band D



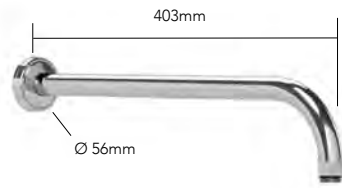
AG
Antique Gold



B51
Antique Gold &
Gloss Black Chrome

ONE HUNDRED COLLECTION Shower

T162 1/2" Overhead shower arm



For WRAS approved version order T162W.

CP	€600
PN	€668
BGM	€764
SSF	€692
CTB/ABM	€812
MBC	€790
AG	€836

V663 200mm Easy clean shower head

For swivel ball joint order V987.



FITTING / APPROVALS

Thread: 1/2"



For WRAS approved version order V663W.

CP	€562
PN	€610
BGM	€694
SSF	€634
CTB/ABM	€754
MBC	€718
AG	€776

T169, T169S, V669-EXT 1/2" Ceiling tube for shower head



- V669-EXT extension piece can replace the 157mm tube to give a 50mm projection for fitting close to ceiling
- More than one V669-EXT extension piece can be used

FITTING / APPROVALS



V669-EXT only.

	T169	T169S	V669-EXT
CP	€302	€252	€98
PN	€332	€278	€96
BGM	€376	€316	€122
SSF	€348	€290	€110
CTB/ABM	€406	€344	€120
MBC	€392	€326	€122
AG	€418	€354	€134

V665 300mm Easy clean shower head

For swivel ball joint order V987.

Due to its weight this product is best used with a ceiling tube, or the wall mounted shower arms V262, V662, V762, and T162; the pipework and shower arms must be rigidly secured. If used with exposed pipework additional support brackets will be required.



FITTING / APPROVALS

Thread: 1/2"



For WRAS approved version order V665W.

CP	€1,028
PN	€1,122
BGM	€1,276
SSF	€1,184
CTB/ABM	€1,382
MBC	€1,338
AG	€1,432

T179 Adjustable, 6-jet easy clean shower head



FITTING / APPROVALS

Thread: 1/2"



CP	€692
PN	€764
BGM	€886
SSF	€812
CTB/ABM	€954
MBC	€906
AG	€980

T179-8 Adjustable, 8-jet easy clean shower head



FITTING / APPROVALS

Thread: 1/2"



CP	€766
PN	€860
BGM	€954
SSF	€882
CTB/ABM	€1,050
MBC	€1,002
AG	€1,072

ONE HUNDRED COLLECTION Shower

V178 200mm Easy clean shower head



FITTING / APPROVALS

Thread: 1/2"



CP	€324
PN	€360
BGM	€502
SSF	€370
CTB/ABM	€502
MBC	€418
AG	€502

V378 200mm Square easy clean shower head



FITTING / APPROVALS

Thread: 1/2"



CP	€882
PN	€966
SSF	€1,018

V188 200mm Easy clean shower head



FITTING / APPROVALS

Thread: 1/2"



CP	€656
PN	€714
SSF	€752



For WRAS approved version order V188W.

V379 300mm Square easy clean shower head

Due to its weight this product is best used with a ceiling tube.
If used with exposed pipework additional support brackets will be required.



FITTING / APPROVALS

Thread: 1/2"



CP	€1,194
PN	€1,300
SSF	€1,360

V189 300mm Easy clean shower head

Due to its weight this product is best used with a ceiling tube.
If used with exposed pipework additional support brackets will be required.



FITTING / APPROVALS

Thread: 1/2"



CP	€956
PN	€1,048
SSF	€1,100



For WRAS approved version order V189W.

V987 Swivel ball joint

For use with V663 and V665 shower heads.



FITTING / APPROVALS

Thread: 1/2"



CP	€98
PN	€106
BGM	€120
SSF	€108
CTB/ABM	€140
MBC	€126
AG	€136

ONE HUNDRED COLLECTION Shower

T164 Wall outlet



FITTING / APPROVALS

Feed: 1/2"



CP	€182
PN	€202
BGM	€228
SSF	€210
CTB/ABM	€244
MBC	€236
AG	€252

T167 Wall bracket



CP	€322
PN	€358
BGM	€406
SSF	€372
CTB/ABM	€444
MBC	€432
AG	€454

V783 Angle bracket



FITTING / APPROVALS

Feed: 1/2"



CP	€156
PN	€168
BGM	€192
SSF	€184
CTB/ABM	€218
MBC	€204
AG	€230

T166 Combined wall outlet / bracket



FITTING / APPROVALS

Feed: 1/2"



CP	€230
PN	€250
BGM	€284
SSF	€266
CTB/ABM	€312
MBC	€294
AG	€320

T1080 Bath boss for hand shower

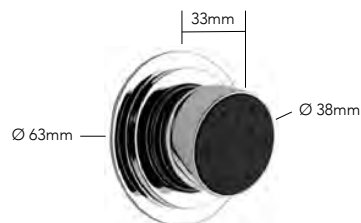


FITTING / APPROVALS

Max deck thickness: 50mm
Max drill hole: 48mm

CP	€302
PN	€328
BGM	€386
SSF	€348
CTB/ABM	€406
MBC	€396
AG	€418

V276 Body jet (high flow)



FITTING / APPROVAL

Feed: 1/2"

FLOW RATES

0.5 bar	6.0 l/min
1.0 bar	9.0 l/min
3.0 bar	14.0 l/min

CP	€362
PN	€416
BGM	€452
SSF	€416
CTB/ABM	€520
MBC	€472
AG	€508

ONE HUNDRED COLLECTION Shower

V176 1/2" Bodyjet



FITTING / APPROVALS

Thread: 1/2"	CP	€166
	PN	€182
Flow rates:	BGM	€216
0.5 bar 3.0 l/min	SSF	€194
1.0 bar 5.0 l/min	CTB/ABM	€266
3.0 bar 9.0 l/min	MBC	€216
	AG	€276

V654 Easy clean hand shower

For WRAS approved versions order V654W



FITTING / APPROVALS

Thread: 1/2"	CP	€420
	PN	€454
	BGM	€514
	SSF	€478
	CTB/ABM	€562
	MBC	€538
	AG	€574



V165W, V940W, V941, V942 Hoses

FITTING / APPROVALS

Thread: 1/2"



For WRAS approved versions order V165W, V940W, V941W or V942W.

	V165W	V940W	V941	V942
CP	€92	€92	€98	€110
PN	€100	€100	€98	€120
BGM	€114	€114	€168	€182
SSF	€104	€104	€134	€146
CTB/ABM	€120	€120	€266	€276
MBC	€116	€116	€146	€158
AG	€124	€124	€182	€192

T166-SPR Bidet spray

We recommend the use of a flow control with this bidet spray.



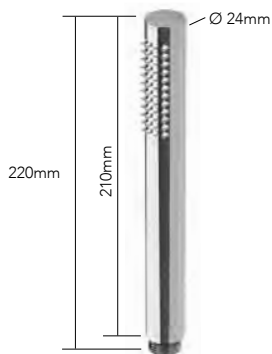
FITTING / APPROVALS

Feed: 1/2"



CP	€600
PN	€668
BGM	€764
SSF	€692
CTB/ABM	€812
MBC	€790
AG	€836

V182 Easy clean hand shower



FITTING / APPROVALS

Thread: 1/2"



For WRAS approved version order V182W.

CP	€204
PN	€230
BGM	€276
SSF	€240
CTB/ABM	€276
MBC	€266
AG	€286

ONE HUNDRED COLLECTION Shower

T170-KIT Slider rail kit



T170 Slider rail



FITTING / APPROVALS

Feed: 1/2"

CP	€1,716
PN	€1,908
BGM	€2,148
SSF	€1,980
CTB/ABM	€2,336
MBC	€2,240
AG	€2,410

CP	€1,098
PN	€1,216
BGM	€1,382
SSF	€1,266
CTB/ABM	€1,504
MBC	€1,432
AG	€1,550

ONE HUNDRED COLLECTION Accessories

N1437 Paper holder



Polished Chrome	€334
Finish Band A	€384
Finish Band B	€418
Finish Band C	€454
Finish Band D	€490

N1498-6, 8 Towel ring



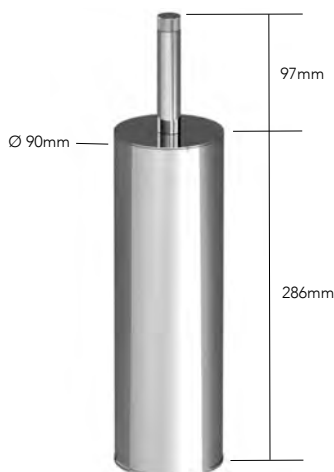
	-6	-8
Polished Chrome	€250	€276
Finish Band A	€288	€314
Finish Band B	€324	€348
Finish Band C	€348	€384
Finish Band D	€370	€406

N1452 Paper holder



Polished Chrome	€418
Finish Band A	€480
Finish Band B	€526
Finish Band C	€572
Finish Band D	€622

L7642K Wall mounted toilet brush
L7644K Freestanding toilet brush



	L7642K	L7644K
Polished Chrome	€356	€318
Finish Band A	€392	€350
Finish Band B	€426	€376
Finish Band C	€460	€410
Finish Band D	€512	€458

N1432 Robe hook



Polished Chrome	€250
Finish Band A	€288
Finish Band B	€324
Finish Band C	€348
Finish Band D	€370

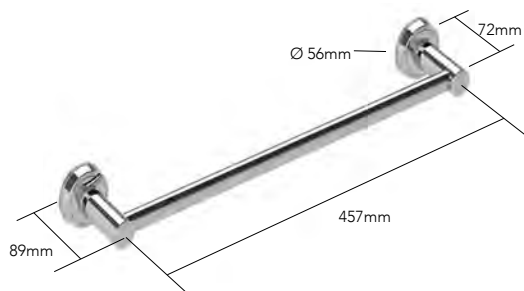
N1439-B Grab rail



Polished Chrome	€776
Finish Band A	€880
Finish Band B	€980
Finish Band C	€1,048
Finish Band D	€1,148

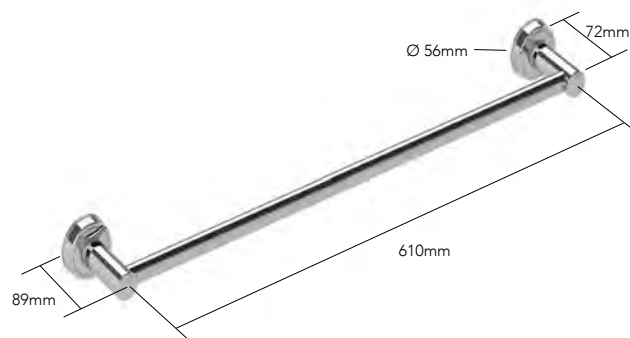
ONE HUNDRED COLLECTION Accessories

N1455 Towel rail



Polished Chrome	€598
Finish Band A	€692
Finish Band B	€766
Finish Band C	€812
Finish Band D	€882

N1455-A Towel rail



Polished Chrome	€622
Finish Band A	€714
Finish Band B	€788
Finish Band C	€860
Finish Band D	€906

Chrome Plate



CP
Polished Chrome

Band A



PN
Polished Nickel



R51
Polished Nickel &
Gloss Black Chrome

Band B



BGM
Brushed Gold Matt



SSB
Stainless Steel Finish
& Matt Black Chrome



SSF
Stainless Steel Finish

Band C



CTB
City Bronze



ABM
Antique Brass Matt



MBC
Matt Black Chrome



E40
Brushed Gold Matt
& City Bronze



S40
Stainless Steel
Finish & City Bronze

Band D



AG
Antique Gold



B51
Antique Gold &
Gloss Black Chrome

Landmark Pure single lever kitchen mixer and hand spray in city bronze



LANDMARK

The collection consists of two distinctive variants: Pure with its well-balanced, concise and direct lines and Industrial with its contemporary, bold and urban styling.

LANDMARK INDUSTRIAL – Pages 244 - 303

LANDMARK PURE – Pages 304 - 361

Both variants are available in 10 finishes including matt black chrome and a new matt lacquered Urban Brass (URM). We are also offering a range of spout heights and lengths.

LANDMARK INDUSTRIAL – Pages 244 - 303

Bold and authoritative with precisely machined detailing, Landmark Industrial fuses raw with refined in a celebration of contemporary design.



Industrial lever - **LK**



Industrial cross top - **XK**



Lathe lever - **LL**



Lathe wheel - **LW**

Lathe lever and wheel

The Landmark control offering is refreshed by the addition of unique Lathe Lever & Wheel handles that encompass design cues from both Industrial and Pure collections. The new reeded Lathe lever features a bold, straight silhouette and a grip with a fluted pattern, which instils a luxurious experience with every turn. The new Wheel handle references the circular wheel of a manual handlathe - traditional equipment which is still used to produce various products within Samuel Heath's factory. The intriguing pattern to the outer diameter of the wheel is created using the same precision machinery, using a knurling tool method.

LANDMARK PURE – Pages 304 - 361

With minimal embellishment and a deceptively simplistic composition, Landmark Pure is neutral and balanced with concise and direct lines.



Pure cross top - **XF**



Pure lever - **LF**

BASIN and BIDET



V7K09LK-LH
V7K10LK-LH



V7K19LK-LH



V7K31LK-LH



V7K09LK-RH
V7K10LK-RH



V7K19LK-RH



V7K31LK-RH

KITCHEN



V7K33LK
WRAS approval pending.



KITCHEN

V7K32LK
WRAS approval pending.



V7K13-1LK



V7K13-2LK



V7K13-3LK



V7K14



V7K15



V7K16



V7K14



V7K15



V7K16



Slim spout options are available for Landmark Industrial basin taps, see individual product pages.

LANDMARK INDUSTRIAL

BASIN



V7K20-1LK-LH
Also available V7K20-1LK-RH right handed
Also available without plate



V7K20-2LK-LH
Also available V7K20-2LK-RH right handed
Also available without plate



V7K20-3LK-LH
Also available V7K20-3LK-RH right handed
Also available without plate



V7K17-1



V7K17-2



V7K17-3



BATH



V7K37LK



V7K38-1LK



V7K38-2LK



V7K39-1LK



V7K39-2LK



V7K36LK



V7K48-1



V7K48-2



BATH



V7K35-1LK-LH
Also available V7K35-1LK-RH right handed
Also available without plate



V7K35-2LK-LH
Also available V7K35-2LK-RH right handed
Also available without plate



V7K43-1LK
Also available without plate



V7K43-2LK
Also available without plate



V7K44-1



V7K44-2



V7K47-1



V7K47-2



V7K41LK



V145



WC



V171
V172



V777

Landmark - Industrial is available to approved, displaying dealers only.
Includes brassware for low pressure gravity fed systems and water saving measures.
For accessories see page 302 -303.

LANDMARK INDUSTRIAL

SHOWER



V700



V707



Rough only



V701
V711



V701 Rough only



V702
V703



V702 Rough only



V706



Rough only



V705



Rough only



V7K6



Thermostatic valve only



V7B1



Rough only



V7B2



Rough only

LANDMARK INDUSTRIAL Basin - Slim spout

V7K09SLK-LH Basin mixer Ø 24mm slim spout, knurled lever, with PUW
 V7K10SLK-LH Basin mixer Ø 24mm slim spout, knurled lever, no PUW

V7K09SLL-LH Basin mixer Ø 24mm slim spout, lathe lever, with PUW
 V7K10SLL-LH Basin mixer Ø 24mm slim spout, lathe lever, no PUW



FITTING / APPROVALS

Feeds: 1/2"
 Max deck thickness: 38mm
 Max drill hole: Ø 41mm



FLOW RATES

0.1 bar	2.2 l/min (special order)
0.5 bar	1.7 l/min standard
	5.2 l/min (special order)
1.0 bar	2.5 l/min standard
3.0 bar	4.0 l/min standard

Flow can be limited eg. for BREEAM



FINISH

	With PUW	No PUW
CP	€1,584	€1,448
PN	€1,746	€1,594
URB	€1,828	€1,664
SSB/SSF	€1,896	€1,736
URM	€1,978	€1,816
MBC	€2,058	€1,884
CNB/CTB/ABM	€2,140	€1,956

V7K09SLK-RH Basin mixer Ø 24mm slim spout, knurled lever, with PUW
 V7K10SLK-RH Basin mixer Ø 24mm slim spout, knurled lever, no PUW

V7K09SLL-RH Basin mixer Ø 24mm slim spout, lathe lever, with PUW
 V7K10SLL-RH Basin mixer Ø 24mm slim spout, lathe lever, no PUW



FITTING / APPROVALS

Feeds: 1/2"
 Max deck thickness: 38mm
 Max drill hole: Ø 41mm



FLOW RATES

0.1 bar	2.2 l/min (special order)
0.5 bar	1.7 l/min standard
	5.2 l/min (special order)
1.0 bar	2.5 l/min standard
3.0 bar	4.0 l/min standard

Flow can be limited eg. for BREEAM



FINISH

	With PUW	No PUW
CP	€1,584	€1,448
PN	€1,746	€1,594
URB	€1,828	€1,664
SSB/SSF	€1,896	€1,736
URM	€1,978	€1,816
MBC	€2,058	€1,884
CNB/CTB/ABM	€2,140	€1,956



LANDMARK INDUSTRIAL Basin - Standard spout

V7K09LK-LH Basin mixer Ø 28mm spout, knurled lever, with PUW
 V7K10LK-LH Basin mixer Ø 28mm spout, knurled lever, no PUW



V7K09LL-LH Basin mixer Ø 28mm spout, lathe lever, with PUW
 V7K10LL-LH Basin mixer Ø 28mm spout, lathe lever, no PUW



FITTING / APPROVALS

Feeds: 1/2"
 Max deck thickness: 38mm
 Max drill hole: Ø 41mm



FLOW RATES

0.1 bar	2.2 l/min (special order)
0.5 bar	1.7 l/min standard
1.0 bar	5.2 l/min (special order)
2.5 bar	2.5 l/min standard
3.0 bar	4.0 l/min standard

Flow can be limited
 eg. for BREEAM



FINISH

	With PUW	No PUW
CP	€1,584	€1,448
PN	€1,746	€1,594
URB	€1,828	€1,664
SSB/SSF	€1,896	€1,736
URM	€1,978	€1,816
MBC	€2,058	€1,884
CNB/CTB/ABM	€2,140	€1,956

V7K09LK-RH Basin mixer Ø 28mm spout, knurled lever, with PUW
 V7K10LK-RH Basin mixer Ø 28mm spout, knurled lever, no PUW



V7K09LL-RH Basin mixer Ø 28mm spout, lathe lever, with PUW
 V7K10LL-RH Basin mixer Ø 28mm spout, lathe lever, no PUW



FITTING / APPROVALS

Feeds: 1/2"
 Max deck thickness: 38mm
 Max drill hole: Ø 41mm



FLOW RATES

0.1 bar	2.2 l/min (special order)
0.5 bar	1.7 l/min standard
1.0 bar	5.2 l/min (special order)
2.5 bar	2.5 l/min standard
3.0 bar	4.0 l/min standard

Flow can be limited
 eg. for BREEAM



FINISH

	With PUW	No PUW
CP	€1,584	€1,448
PN	€1,746	€1,594
URB	€1,828	€1,664
SSB/SSF	€1,896	€1,736
URM	€1,978	€1,816
MBC	€2,058	€1,884
CNB/CTB/ABM	€2,140	€1,956



CP
 Chrome plate



PN
 Polished nickel



URB
 Urban brass



SSB
 Stainless steel with matt black chrome



SSF
 Stainless steel finish



URM
 Urban brass matt lacquered



MBC
 Matt black chrome



CNB
 Country bronze



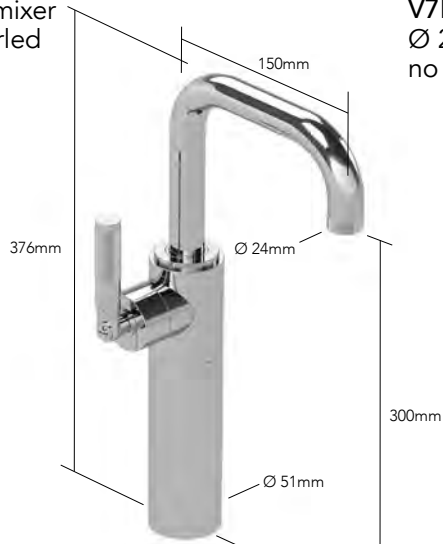
CTB
 City bronze



ABM
 Antique brass matt lacquered

LANDMARK INDUSTRIAL Basin - Slim spout

V7K31SLK-LH Tall basin mixer
 Ø 24mm slim spout, knurled
 lever, no PUW



V7K31SLL-LH Tall basin mixer
 Ø 24mm slim spout, lathe
 lever, no PUW



FITTING / APPROVALS

Feeds: 1/2"
 Max deck thickness: 35mm
 Max drill hole: Ø 40mm

FLOW RATES

0.1 bar	2.2 l/min (special order)
0.5 bar	1.7 l/min standard
	5.2 l/min (special order)
1.0 bar	2.5 l/min standard
3.0 bar	4.0 l/min standard

Flow can be limited
 eg. for BREEAM



FINISH

CP	€1,778
PN	€1,954
URB	€2,050
SSB/SSF	€2,134
URM	€2,230
MBC	€2,314
CNB/CTB/ABM	€2,410

PRICE

V7K31SLK-RH Tall basin mixer
 Ø 24mm slim spout, knurled
 lever, no PUW



V7K31SLL-RH Tall basin mixer
 Ø 24mm slim spout, lathe
 lever, no PUW



FITTING / APPROVALS

Feeds: 1/2"
 Max deck thickness: 35mm
 Max drill hole: Ø 40mm

FLOW RATES

0.1 bar	2.2 l/min (special order)
0.5 bar	1.7 l/min standard
	5.2 l/min (special order)
1.0 bar	2.5 l/min standard
3.0 bar	4.0 l/min standard

Flow can be limited
 eg. for BREEAM



FINISH

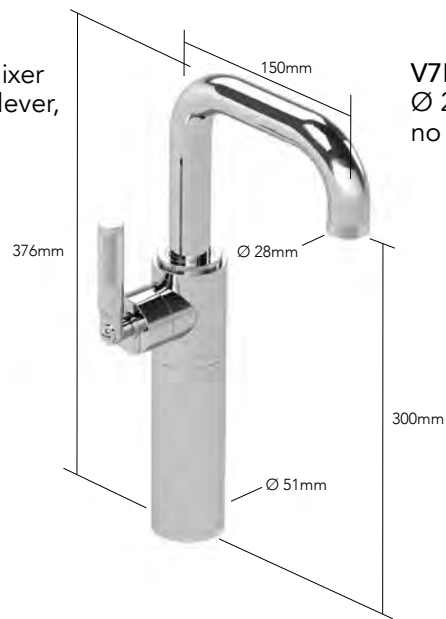
CP	€1,778
PN	€1,954
URB	€2,050
SSB/SSF	€2,134
URM	€2,230
MBC	€2,314
CNB/CTB/ABM	€2,410

PRICE



LANDMARK INDUSTRIAL Basin - Standard spout

V7K31LK-LH Tall basin mixer
 Ø 28mm spout, knurled lever,
 no PUW



V7K31LL-LH Tall basin mixer
 Ø 28mm spout, lathe lever,
 no PUW



FITTING / APPROVALS

Feeds: 1/2"
 Max deck thickness: 35mm
 Max drill hole: Ø 40mm

FLOW RATES

0.1 bar	2.2 l/min (special order)
0.5 bar	1.7 l/min standard
	5.2 l/min (special order)
1.0 bar	2.5 l/min standard
3.0 bar	4.0 l/min standard

Flow can be limited
 eg. for BREEAM



FINISH

CP	€1,778
PN	€1,954
URB	€2,050
SSB/SSF	€2,134
URM	€2,230
MBC	€2,314
CNB/CTB/ABM	€2,410

PRICE

V7K31LK-RH Tall basin mixer
 Ø 28mm spout, knurled lever,
 no PUW



V7K31LL-RH Tall basin mixer
 Ø 28mm spout, lathe lever,
 no PUW



FITTING / APPROVALS

Feeds: 1/2"
 Max deck thickness: 35mm
 Max drill hole: Ø 40mm

FLOW RATES

0.1 bar	2.2 l/min (special order)
0.5 bar	1.7 l/min standard
	5.2 l/min (special order)
1.0 bar	2.5 l/min standard
3.0 bar	4.0 l/min standard

Flow can be limited
 eg. for BREEAM



FINISH

CP	€1,778
PN	€1,954
URB	€2,050
SSB/SSF	€2,134
URM	€2,230
MBC	€2,314
CNB/CTB/ABM	€2,410

PRICE



V7K19-LH Single lever bidet mixer with pop-up waste (Left handed)



V7K19LK-LH



V7K19LL-LH

FITTING / APPROVALS

Feeds: 1/2"
Max deck thickness: 38mm
Max drill hole: Ø 41mm

FLOW RATES

0.5 bar	4.2 l/min
1.0 bar	6.2 l/min standard
3.0 bar	11.8 l/min standard

Flow can be limited
eg. for BREEAM



FINISH

CP	€1,658
PN	€1,826
URB	€1,908
SSB/SSF	€1,980
URM	€2,064
MBC	€2,146
CNB/CTB/ABM	€2,232

PRICE

V7K19-RH Single lever bidet mixer with pop-up waste (Right handed)



V7K19LK-RH



V7K19LL-RH

FITTING / APPROVALS

Feeds: 1/2"
Max deck thickness: 38mm
Max drill hole: Ø 41mm

FLOW RATES

0.5 bar	4.2 l/min
1.0 bar	6.2 l/min standard
3.0 bar	11.8 l/min standard

Flow can be limited
eg. for BREEAM



FINISH

CP	€1,658
PN	€1,826
URB	€1,908
SSB/SSF	€1,980
URM	€2,064
MBC	€2,146
CNB/CTB/ABM	€2,232

PRICE



LANDMARK INDUSTRIAL Kitchen

V7K33 Single lever kitchen mixer with hand spray
N7200 Deck mounted soap dispenser



FITTING / APPROVALS

Feeds: 1/2"
Max deck thickness: 40mm
Max drill hole: Ø 41mm
WRAS approval pending

FLOW RATES

0.5 bar 2.0 l/min tap
0.5 bar 2.5 l/min hand spray
3.0 bar 3.9 l/min tap
3.0 bar 6.3 l/min hand spray



V7K33LL



N7200

FINISH

	V7K33	N7200
CP	€2,704	€190
PN	€2,976	€208
URB	€3,112	€216
SSB/SSF	€3,112	€218
URM	€3,382	€232
MBC	€3,516	€246
CNB/CTB/ABM	€3,648	€258

V7K32 Single lever kitchen mixer
N7200 Deck mounted soap dispenser



FITTING / APPROVALS

Feeds: 1/2"
Max deck thickness: 40mm
Max drill hole: Ø 41mm
WRAS approval pending

FLOW RATES

0.5 bar 2.0 l/min
3.0 bar 3.9 l/min



V7K32LL



N7200

FINISH

	V7K32	N7200
CP	€2,006	€190
PN	€2,206	€208
URB	€2,308	€216
SSB/SSF	€2,308	€218
URM	€2,508	€232
MBC	€2,610	€246
CNB/CTB/ABM	€2,708	€258



CP
Chrome plate



PN
Polished nickel



URB
Urban brass



SSB
Stainless steel with matt black chrome



SSF
Stainless steel finish



URM
Urban brass matt lacquered



MBC
Matt black chrome



CNB
Country bronze



CTB
City bronze



ABM
Antique brass matt lacquered

LANDMARK INDUSTRIAL Basin - Slim spout

V7K13S-1LK 2 hole basin mixer, Ø 24mm slim spout, knurled lever, no PUW, low spout



V7K13S-1LL 2 hole basin mixer, Ø 24mm slim spout, lathe lever, no PUW, low spout



FITTING / APPROVALS

Feeds: 1/2"
Max deck thickness: 40mm
Max drill hole: Ø 48mm - side valve
Max drill hole: Ø 46mm - spout



FLOW RATES

0.5 bar	1.7 l/min
1.0 bar	2.5 l/min
3.0 bar	4.0 l/min

Flow can be limited
eg. for BREEAM



FINISH

FINISH	PRICE
CP	€1,690
PN	€1,868
URB	€1,944
SSB/SSF	€2,028
URM	€2,110
MBC	€2,202
CNB/CTB/ABM	€2,290

V7K13S-2LK 2 hole basin mixer, Ø 24mm slim spout, knurled lever, no PUW, medium spout



V7K13S-2LL 2 hole basin mixer, Ø 24mm slim spout, lathe lever, no PUW, medium spout



FITTING / APPROVALS

Feeds: 1/2"
Max deck thickness: 40mm
Max drill hole: Ø 48mm - side valve
Max drill hole: Ø 46mm - spout



FLOW RATES

0.5 bar	1.7 l/min
1.0 bar	2.5 l/min
3.0 bar	4.0 l/min

Flow can be limited
eg. for BREEAM



FINISH

FINISH	PRICE
CP	€1,760
PN	€1,940
URB	€2,020
SSB/SSF	€2,110
URM	€2,194
MBC	€2,290
CNB/CTB/ABM	€2,372



CP
Chrome
plate



PN
Polished
nickel



URB
Urban
brass



SSB
Stainless steel
with matt black
chrome



SSF
Stainless steel
finish



URM
Urban brass
matt lacquered



MBC
Matt black
chrome



CNB
Country
bronze



CTB
City bronze



ABM
Antique
brass matt
lacquered

LANDMARK INDUSTRIAL Basin - Standard spout

V7K13-1LK 2 hole basin mixer, Ø 28mm spout, knurled lever, with PUW, low spout



V7K13-1LL 2 hole basin mixer, Ø 28mm spout, lathe lever, with PUW, low spout



FITTING / APPROVALS

Feeds: 1/2"
 Max deck thickness: 40mm
 Max drill hole: Ø 48mm - side valve
 Max drill hole: Ø 46mm - spout



FLOW RATES

0.5 bar	1.7 l/min
1.0 bar	2.5 l/min
3.0 bar	4.0 l/min

Flow can be limited eg. for BREEAM



FINISH

CP	€1,730
PN	€1,908
URB	€1,990
SSB/SSF	€2,074
URM	€2,158
MBC	€2,252
CNB/CTB/ABM	€2,338

PRICE

V7K13-2LK 2 hole basin mixer, Ø 28mm spout, knurled lever, with PUW, medium spout



V7K13-2LL 2 hole basin mixer, Ø 28mm spout, lathe lever, with PUW, medium spout



FITTING / APPROVALS

Feeds: 1/2"
 Max deck thickness: 40mm
 Max drill hole: Ø 48mm - side valve
 Max drill hole: Ø 46mm - spout



FLOW RATES

0.5 bar	1.7 l/min
1.0 bar	2.5 l/min
3.0 bar	4.0 l/min

Flow can be limited eg. for BREEAM



FINISH

CP	€1,800
PN	€1,980
URB	€2,064
SSB/SSF	€2,156
URM	€2,242
MBC	€2,338
CNB/CTB/ABM	€2,420

PRICE



LANDMARK INDUSTRIAL Basin - Slim spout

V7K13S-3LK 2 hole basin mixer, Ø 24mm slim spout, knurled lever, no PUW, high spout

V7K13S-3LL 2 hole basin mixer, Ø 24mm slim spout, lathe lever, no PUW, high spout



FITTING / APPROVALS

Feeds: 1/2"
 Max deck thickness: 40mm
 Max drill hole: Ø 48mm - side valve
 Max drill hole: Ø 46mm - spout



FLOW RATES

0.5 bar	1.7 l/min
1.0 bar	2.5 l/min
3.0 bar	4.0 l/min

Flow can be limited
 eg. for BREEAM



FINISH

FINISH	PRICE
CP	€1,820
PN	€1,996
URB	€2,088
SSB/SSF	€2,180
URM	€2,280
MBC	€2,374
CNB/CTB/ABM	€2,452



CP
 Chrome
 plate



PN
 Polished
 nickel



URB
 Urban
 brass



SSB
 Stainless steel
 with matt black
 chrome



SSF
 Stainless steel
 finish



URM
 Urban brass
 matt lacquered



MBC
 Matt black
 chrome



CNB
 Country
 bronze



CTB
 City bronze



ABM
 Antique
 brass matt
 lacquered

LANDMARK INDUSTRIAL Basin - Standard spout

V7K13-3LK 2 hole basin mixer, Ø 28mm spout, knurled lever, with PUW, high spout

V7K13-3LL 2 hole basin mixer, Ø 28mm spout, lathe lever, with PUW, high spout



FITTING / APPROVALS

Feeds: 1/2"
 Max deck thickness: 40mm
 Max drill hole: Ø 48mm - side valve
 Max drill hole: Ø 46mm - spout



FLOW RATES

0.5 bar	1.7 l/min
1.0 bar	2.5 l/min
3.0 bar	4.0 l/min

Flow can be limited
 eg. for BREEAM



FINISH

CP	€1,860
PN	€2,038
URB	€2,134
SSB/SSF	€2,230
URM	€2,328
MBC	€2,422
CNB/CTB/ABM	€2,504

PRICE



- CP
Chrome plate
- PN
Polished nickel
- URB
Urban brass
- SSB
Stainless steel with matt black chrome
- SSF
Stainless steel finish
- URM
Urban brass matt lacquered
- MBC
Matt black chrome
- CNB
Country bronze
- CTB
City bronze
- ABM
Antique brass matt lacquered

LANDMARK INDUSTRIAL Basin - Slim spout

V7K14S 3 hole basin mixer without PUW, Ø24mm slim spout, low height



V7K14SLK



V7K14SXC



V7K14SLL



V7K14SLW

FITTING / APPROVALS

Feeds: 1/2"
 Max deck thickness: 40mm
 Max drill hole: Ø 40mm - side valve
 Max drill hole: Ø 46mm - spout



FLOW RATES

0.1 bar	2.6 l/min (special order)
0.5 bar	1.8 l/min standard
	6.4 l/min (special order)
1.0 bar	2.5 l/min standard
3.0 bar	4.0 l/min standard

Flow can be limited
 eg. for BREEAM



FINISH

CP	€2,038
PN	€2,234
URB	€2,334
SSB/SSF	€2,436
URM	€2,540
MBC	€2,642
CNB/CTB/ABM	€2,746

For the Ø24mm slim spout please use code V7K14S and add the lever variant (e.g. LK).
 Slim spout versions always come without a pop-up waste.



CP
 Chrome
 plate



PN
 Polished
 nickel



URB
 Urban
 brass



SSB
 Stainless steel
 with matt black
 chrome



SSF
 Stainless steel
 finish



URM
 Urban brass
 matt lacquered



MBC
 Matt black
 chrome



CNB
 Country
 bronze



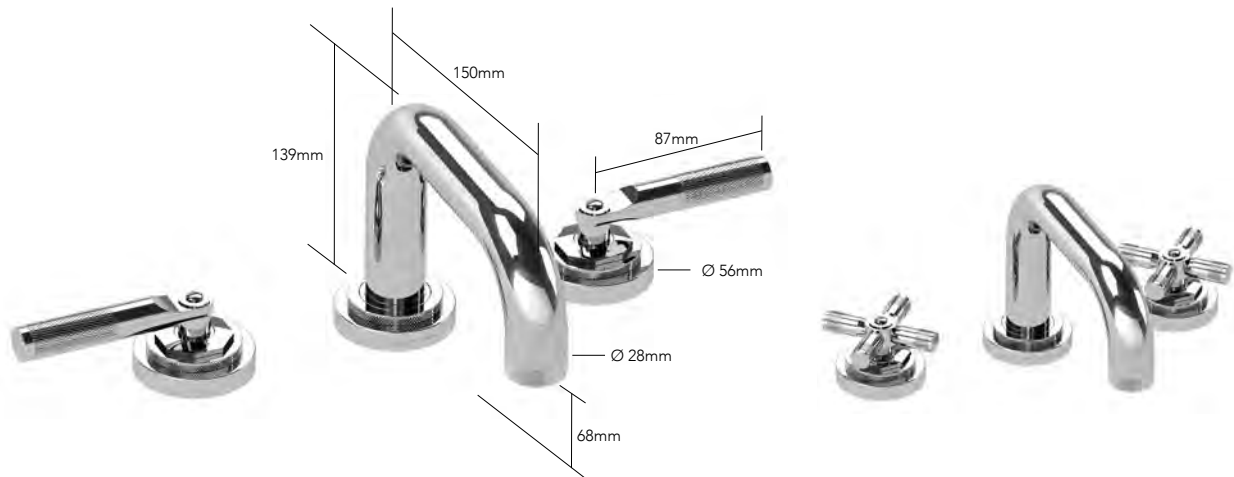
CTB
 City bronze



ABM
 Antique
 brass matt
 lacquered

LANDMARK INDUSTRIAL Basin - Standard spout

V7K14 3 hole basin mixer with or without PUW, Ø28mm spout, low height



V7K14LK

V7K14XK



V7K14LL



V7K14LW

FITTING / APPROVALS

Feeds: 1/2"
 Max deck thickness: 40mm
 Max drill hole: Ø 40mm - side valve
 Max drill hole: Ø 46mm - spout



FLOW RATES

0.1 bar	2.6 l/min (special order)
0.5 bar	1.8 l/min standard
	6.4 l/min (special order)
1.0 bar	2.5 l/min standard
3.0 bar	4.0 l/min standard

Flow can be limited eg. for BREEAM



FINISH

	With PUW	No PUW
CP	€2,038	€1,888
PN	€2,234	€2,084
URB	€2,334	€2,174
SSB/SSF	€2,436	€2,264
URM	€2,540	€2,360
MBC	€2,642	€2,450
CNB/CTB/ABM	€2,746	€2,552

To order the Ø28mm spout without a pop-up waste add NP to the code (e.g. V7K14LKNP).



- CP
Chrome plate
- PN
Polished nickel
- URB
Urban brass
- SSB
Stainless steel with matt black chrome
- SSF
Stainless steel finish
- URM
Urban brass matt lacquered
- MBC
Matt black chrome
- CNB
Country bronze
- CTB
City bronze
- ABM
Antique brass matt lacquered

LANDMARK INDUSTRIAL Basin - Slim spout

V7K15S 3 hole basin mixer without PUW, Ø24mm slim spout, medium height



FITTING / APPROVALS

Feeds: 1/2"
 Max deck thickness: 40mm
 Max drill hole: Ø 40mm - side valve
 Max drill hole: Ø 46mm - spout



FLOW RATES

0.1 bar	2.6 l/min (special order)
0.5 bar	1.8 l/min standard 6.4 l/min (special order)
1.0 bar	2.5 l/min standard
3.0 bar	4.0 l/min standard

Flow can be limited eg. for BREEAM



FINISH

CP	€1,504
PN	€1,662
URB	€1,732
SSB/SSF	€1,822
URM	€1,888
MBC	€1,980
CNB/CTB/ABM	€2,046

For the Ø24mm slim spout please use code V7K15S and add the lever variant (e.g. LK).
 Slim spout versions always come without a pop-up waste.



CP
Chrome plate

PN
Polished nickel

URB
Urban brass

SSB
Stainless steel with matt black chrome

SSF
Stainless steel finish

URM
Urban brass matt lacquered

MBC
Matt black chrome

CNB
Country bronze

CTB
City bronze

ABM
Antique brass matt lacquered

LANDMARK INDUSTRIAL Basin - Standard spout

V7K15 3 hole basin mixer with or without PUW, Ø28mm spout, medium height



V7K15LK

V7K15XK



V7K15LL



V7K15LW

FITTING / APPROVALS

Feeds: 1/2"

Max deck thickness: 40mm

Max drill hole: Ø 40mm - side valve

Max drill hole: Ø 46mm - spout



FLOW RATES

0.1 bar	2.6 l/min (special order)
0.5 bar	1.8 l/min standard
	6.4 l/min (special order)
1.0 bar	2.5 l/min standard
3.0 bar	4.0 l/min standard

Flow can be limited
eg. for BREEAM



FINISH

	With PUW	No PUW
CP	€2,092	€1,948
PN	€2,298	€2,140
URB	€2,404	€2,234
SSB/SSF	€2,508	€2,332
URM	€2,610	€2,426
MBC	€2,724	€2,516
CNB/CTB/ABM	€2,828	€2,620

To order the Ø28mm spout without a pop-up waste add NP to the code (e.g. V7K15LKNP).



CP
Chrome
plate



PN
Polished
nickel



URB
Urban
brass



SSB
Stainless steel
with matt black
chrome



SSF
Stainless steel
finish



URM
Urban brass
matt lacquered



MBC
Matt black
chrome



CNB
Country
bronze



CTB
City bronze



ABM
Antique
brass matt
lacquered

LANDMARK INDUSTRIAL Basin - Slim spout

V7K16S 3 hole basin mixer without PUW, Ø24mm slim spout, high height



FITTING / APPROVALS

Feeds: 1/2"
 Max deck thickness: 40mm
 Max drill hole: Ø 40mm - side valve
 Max drill hole: Ø 46mm - spout



FLOW RATES

0.1 bar	2.6 l/min (special order)
0.5 bar	1.8 l/min standard 6.4 l/min (special order)
1.0 bar	2.5 l/min standard
3.0 bar	4.0 l/min standard

Flow can be limited
 eg. for BREEAM



FINISH

CP	€2,140
PN	€2,358
URB	€2,462
SSB/SSF	€2,562
URM	€2,676
MBC	€2,782
CNB/CTB/ABM	€2,884

For the Ø24mm slim spout please use code V7K16S and add the lever variant (e.g. LK).
 Slim spout versions always come without a pop-up waste.



CP
 Chrome
 plate



PN
 Polished
 nickel



URB
 Urban
 brass



SSB
 Stainless steel
 with matt black
 chrome



SSF
 Stainless steel
 finish



URM
 Urban brass
 matt lacquered



MBC
 Matt black
 chrome



CNB
 Country
 bronze



CTB
 City bronze



ABM
 Antique
 brass matt
 lacquered

LANDMARK INDUSTRIAL Basin - Standard spout

V7K16 3 hole basin mixer with or without PUW, Ø28mm spout, high height



FITTING / APPROVALS

Feeds: 1/2"

Max deck thickness: 40mm

Max drill hole: Ø 40mm - side valve

Max drill hole: Ø 46mm - spout



FLOW RATES

0.1 bar 2.6 l/min (special order)

0.5 bar 1.8 l/min standard

6.4 l/min (special order)

1.0 bar 2.5 l/min standard

3.0 bar 4.0 l/min standard

Flow can be limited
eg. for BREEAM



FINISH

	With PUW	No PUW
CP	€2,140	€1,980
PN	€2,358	€2,184
URB	€2,462	€2,280
SSB/SSF	€2,562	€2,380
URM	€2,676	€2,484
MBC	€2,782	€2,578
CNB/CTB/ABM	€2,884	€2,678

To order the Ø28mm spout without a pop-up waste add NP to the code (e.g. V7K16LKNP).



CP
Chrome
plate



PN
Polished
nickel



URB
Urban
brass



SSB
Stainless steel
with matt black
chrome



SSF
Stainless steel
finish



URM
Urban brass
matt lacquered



MBC
Matt black
chrome



CNB
Country
bronze



CTB
City bronze



ABM
Antique
brass matt
lacquered

LANDMARK INDUSTRIAL Basin - Slim spout

V7K20S-1LK, -2LK or -3LK Wall mounted basin mixer trim set, Ø 24mm slim spout, knurled lever, with plate

V7K20S-1LL, -2LL or -3LL Wall mounted basin mixer trim set, Ø 24mm slim spout, lathe lever, with plate

For left handed version put -LH at end of code

For right handed version put -RH at end of code

All require V720V2-LH-IS or V720V2-RH-IS installation kit.



FITTING / APPROVALS

All require V720V2-LH-IS or V720V2-RH-IS installation kit.

WRAS approval pending

FLOW RATES

0.1 bar	2.5 l/min (special order)
0.5 bar	3.0 l/min standard
	6.5 l/min (special order)
1.0 bar	4.2 l/min standard
3.0 bar	4.5 l/min standard

Flow can be limited eg. for BREEAM



FINISH

	V7K20S-1	V7K20S-2	V7K20S-3
CP	€1,824	€1,834	€1,848
PN	€2,000	€2,028	€2,028
URB	€2,098	€2,112	€2,120
SSB/SSF	€2,180	€2,206	€2,206
URM	€2,278	€2,302	€2,300
MBC	€2,374	€2,398	€2,394
CNB/CTB/ABM	€2,466	€2,478	€2,494

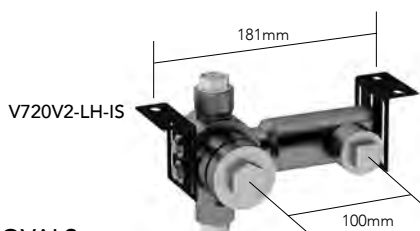


Available also without wall plate. If required without wall plate please add -NP to the end of the product code.

FINISH

	-1-NP	-2-NP	-3-NP
CP	€1,668	€1,694	€1,694
PN	€1,848	€1,860	€1,862
URB	€1,930	€1,944	€1,944
SSB/SSF	€2,002	€2,026	€2,028
URM	€2,088	€2,112	€2,110
MBC	€2,170	€2,194	€2,194
CNB/CTB/ABM	€2,254	€2,276	€2,278

V720V2-LH-IS Left handed rough - only for use with Landmark
V720V2-RH-IS Right handed rough - only for use with Landmark



FITTING / APPROVALS

Feeds: 1/2"

Fitting depth: Min 73mm - Max 84mm from finished tiled surface to rear of fixing.

Fixing brackets can be rotated 90 degrees.

V720V2-LH-IS-XX
V720V2-RH-IS-XX

€482
€482



CP
Chrome
plate



PN
Polished
nickel



URB
Urban
brass



SSB
Stainless steel
with matt black
chrome



SSF
Stainless steel
finish



URM
Urban brass
matt lacquered



MBC
Matt black
chrome



CNB
Country
bronze



CTB
City bronze



ABM
Antique
brass matt
lacquered

LANDMARK INDUSTRIAL Basin - Standard spout

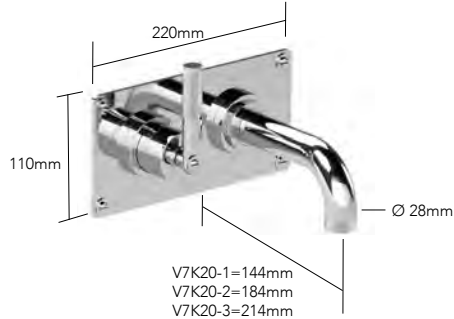
V7K20-1LK, -2LK or -3LK Wall mounted basin mixer trim set, Ø 28mm spout, knurled lever, with plate

V7K20-1LL, -2LL or -3LL Wall mounted basin mixer trim set, Ø 28mm spout, lathe lever, with plate

For left handed version put -LH at end of code

For right handed version put -RH at end of code

All require V720V2-LH-IS or V720V2-RH-IS installation kit.



FITTING / APPROVALS

All require V720V2-LH-IS or V720V2-RH-IS installation kit.



FLOW RATES

0.1 bar	2.5 l/min (special order)
0.5 bar	3.0 l/min standard
	6.5 l/min (special order)
1.0 bar	4.2 l/min standard
3.0 bar	4.5 l/min standard

Flow can be limited eg. for BREEAM



FINISH

	V7K20-1	V7K20-2	V7K20-3
CP	€1,824	€1,834	€1,848
PN	€2,000	€2,028	€2,028
URB	€2,098	€2,112	€2,120
SSB/SSF	€2,180	€2,206	€2,206
URM	€2,278	€2,302	€2,300
MBC	€2,374	€2,398	€2,394
CNB/CTB/ABM	€2,466	€2,478	€2,494

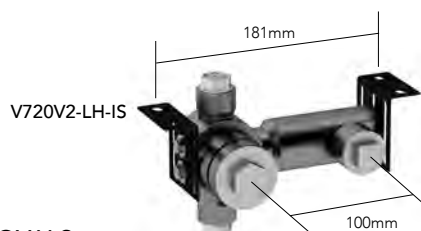


Available also without wall plate. If required without wall plate please add -NP to the end of the product code.

FINISH

	-1-NP	-2-NP	-3-NP
CP	€1,668	€1,694	€1,694
PN	€1,848	€1,860	€1,862
URB	€1,930	€1,944	€1,944
SSB/SSF	€2,002	€2,026	€2,028
URM	€2,088	€2,112	€2,110
MBC	€2,170	€2,194	€2,194
CNB/CTB/ABM	€2,254	€2,276	€2,278

V720V2-LH-IS Left handed rough - only for use with Landmark
V720V2-RH-IS Right handed rough - only for use with Landmark



FITTING / APPROVALS

Feeds: 1/2"

Fitting depth: Min 73mm - Max 84mm from finished tiled surface to rear of fixing.

Fixing brackets can be rotated 90 degrees.



V720V2-LH-IS-XX	€482
V720V2-RH-IS-XX	€482



CP
Chrome
plate



PN
Polished
nickel



URB
Urban
brass



SSB
Stainless steel
with matt black
chrome



SSF
Stainless steel
finish



URM
Urban brass
matt lacquered



MBC
Matt black
chrome



CNB
Country
bronze



CTB
City bronze

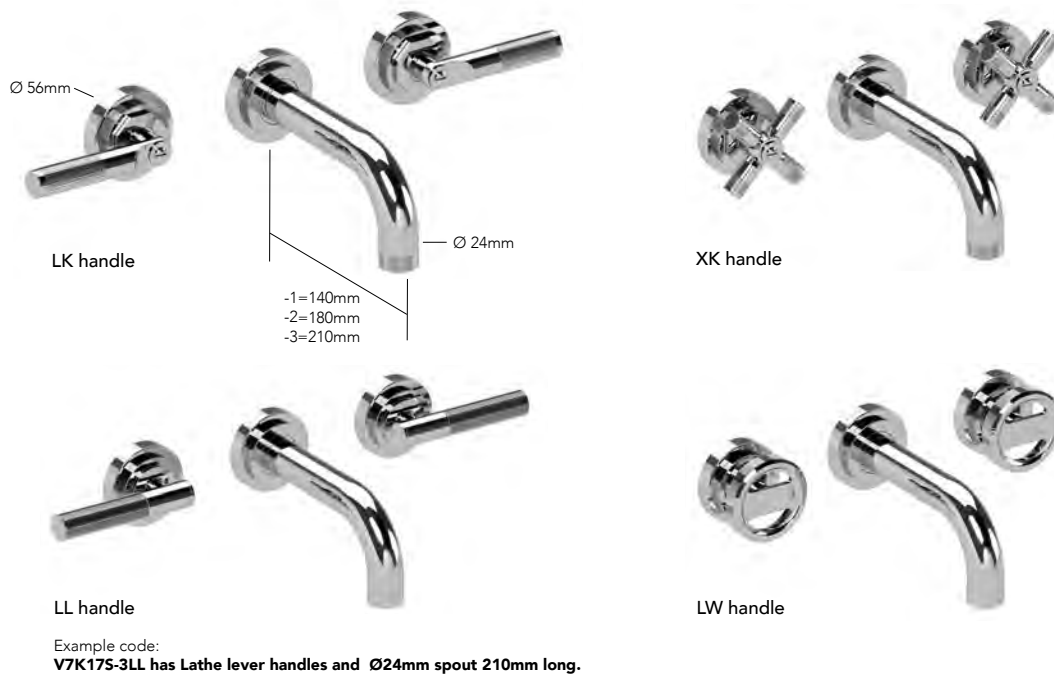


ABM
Antique
brass matt
lacquered

LANDMARK INDUSTRIAL Basin - Slim spout

V7K17S-1, -2 or -3 Wall mounted basin mixer, trim set, Ø 24mm slim spout, three lengths

requires V718-IS or V818-IS



Example code:
V7K17S-3LL has Lathe lever handles and Ø24mm spout 210mm long.

FITTING / APPROVALS

All require V718-IS or V818-IS installation kit.

WRAS approval pending

FLOW RATES

0.1 bar	2.5 l/min (special order)
0.5 bar	1.7 l/min standard
	6.2 l/min (special order)
1.0 bar	2.5 l/min standard
3.0 bar	4.0 l/min standard

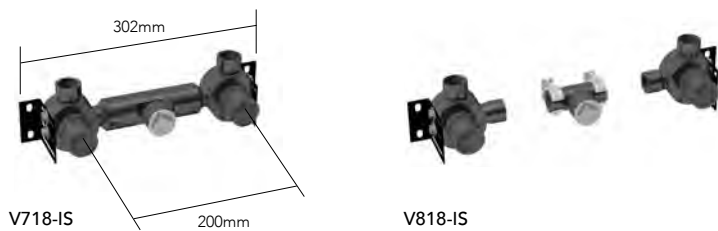
Flow can be limited eg. for BREEAM



FINISH

	V7K17S-1	V7K17S-2	V7K17S-3
CP	€1,908	€1,954	€2,002
PN	€2,094	€2,138	€2,198
URB	€2,188	€2,242	€2,290
SSB/SSF	€2,290	€2,348	€2,392
URM	€2,382	€2,442	€2,498
MBC	€2,472	€2,532	€2,604
CNB/CTB/ABM	€2,570	€2,634	€2,696

V718-IS or V818-IS Roughs - only for use with Landmark



FITTING / APPROVALS

Feeds: 3/4" female with adaptor for 1/2" female
 Fitting depth: Min 76mm

V718-IS-XX	€400
V818-IS-XX	€400



LANDMARK INDUSTRIAL Basin - Standard spout

V7K17-1, -2 or -3 Wall mounted basin mixer, trim set, Ø 28mm spout, three lengths

requires V718-IS or V818-IS



Example code:
V7K17-1LK has knurled lever handles and Ø28mm spout 140mm long.

FITTING / APPROVALS

All require V718-IS or V818-IS installation kit.



FLOW RATES

0.1 bar	2.5 l/min (special order)
0.5 bar	1.7 l/min standard
	6.2 l/min (special order)
1.0 bar	2.5 l/min standard
3.0 bar	4.0 l/min standard

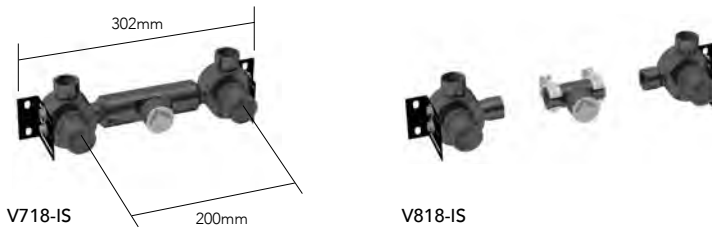
Flow can be limited eg. for BREEAM



FINISH

	V7K17-1	V7K17-2	V7K17-3
CP	€1,908	€1,954	€2,002
PN	€2,094	€2,138	€2,198
URB	€2,188	€2,242	€2,290
SSB/SSF	€2,290	€2,348	€2,392
URM	€2,382	€2,442	€2,498
MBC	€2,472	€2,532	€2,604
CNB/CTB/ABM	€2,570	€2,634	€2,696

V718-IS or V818-IS Roughs - only for use with Landmark



FITTING / APPROVALS

Feeds: 3/4" female with adaptor for 1/2" female
 Fitting depth: Min 76mm



V718-IS-XX	€400
V818-IS-XX	€400



V193 1 1/4" Basin bottle trap

500mm extension tube available, order V193-500



FINISH	V193	V193-500 tube only
CP	€276	€182
PN	€306	€200
URB	€318	€206
SSF	€318	€206
URM	€370	€234
MBC	€358	€234
CNB/CTB/ABM	€370	€242

V192 1 1/4" Basin click-clack waste, slotted

For free-flow please order V192-FF



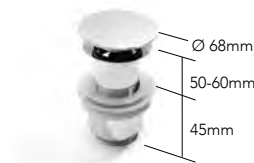
FINISH	PRICE
CP	€96
PN	€146
URB	€146
SSF	€146
URM	€156
MBC	€168
CNB/CTB/ABM	€168

VA60 1 1/4" Basin waste with metal plug, chain and stay



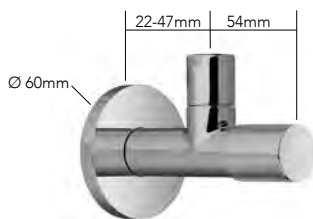
FINISH	PRICE
CP	€132
PN	€144
SSF	€150

V192-UNS 1 1/4" Basin click-clack waste, unslotted



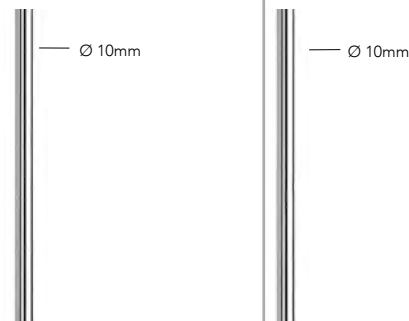
FINISH	PRICE
CP	€96
PN	€146
URB	€146
SSF	€146
URM	€156
MBC	€168
CNB/CTB/ABM	€168

V190 Angle valve



FITTING / APPROVALS	FINISH	PRICE
Feed: 1/2" Outlet: 3/8" or 10mm	CP	€166
	PN	€182
	URB	€286
	SSF	€250
	URM	€286
	MBC	€266
	CNB/CTB/ABM	€286

V986-300 300mm Tube V986-500 500mm Tube



FINISH	PRICE	FINISH	PRICE
CP	€92	CP	€122
PN	€98	PN	€132
URB	€102	URB	€140
SSF	€102	SSF	€140
URM	€110	URM	€150
MBC	€114	MBC	€156
CNB/CTB/ABM	€120	CNB/CTB/ABM	€162

Landmark Industrial wall mounted basin mixer with slim spout in city bronze



V7K36 Floor mounted single lever bath / shower mixer

requires V736-IS



FITTING / APPROVALS

Requires V736-IS floor rough (below)



FLOW RATES

Min. 3.0 bar
3.0 bar 23.2 l/min

FINISH

- CP €6,084
- PN €6,692
- URB €7,000
- SSB/SSF €7,296
- URM €7,606
- MBC €7,902
- CNB/CTB/ABM €8,210

PRICE

V736-IS Floor rough for single lever bath / shower mixer

FITTING / APPROVALS

Feeds: 1/2"

Fitting depth: Min 99.5mm - Max 159.5mm



XX

€1,480



CP
Chrome
plate



PN
Polished
nickel



URB
Urban
brass



SSB
Stainless steel
with matt black
chrome



SSF
Stainless steel
finish



URM
Urban brass
matt lacquered



MBC
Matt black
chrome



CNB
Country
bronze



CTB
City bronze



ABM
Antique
brass matt
lacquered

LANDMARK INDUSTRIAL Bath

V7K37 Deck mounted mixer, single lever control



FINISH	PRICE
CP	€980
PN	€1,086
URB	€1,134
SSB/SSF	€1,184
URM	€1,228
MBC	€1,276
CNB/CTB/ABM	€1,324

FITTING / APPROVALS

Feeds: 1/2"

Max deck thickness: 55mm

Max drill hole: Ø 52mm



Version 2

V7K38-1LK, V7K38-2LK Deck mounted 2 hole bath filler (2 spout lengths)



FITTING / APPROVALS

Feeds: 1/2"

Max deck thickness: 50mm

Max drill hole: Ø 48mm - side valve

Max drill hole: Ø 48mm - spout

FLOW RATES

Min. 2.0 bar
2.0 bar 26.3 l/min

FINISH

FINISH	V7K38-1LK	V7K38-2LK
CP	€2,110	€2,134
PN	€2,326	€2,348
URB	€2,420	€2,446
SSF	€2,528	€2,550
URM	€2,634	€2,660
MBC	€2,742	€2,764
CNB/CTB/ABM	€2,834	€2,872



CP
Chrome
plate



PN
Polished
nickel



URB
Urban
brass



SSB
Stainless steel
with matt black
chrome



SSF
Stainless steel
finish



URM
Urban brass
matt lacquered



MBC
Matt black
chrome



CNB
Country
bronze



CTB
City bronze



ABM
Antique
brass matt
lacquered

V7K39-1LK, V7K39-2LK Deck mounted 3 hole bath filler (2 spout lengths) (divertor at back of spout)



V7K39-1LK

V7K39-2LK



V7K39-1LL



V7K39-2LL

FITTING / APPROVALS

Feeds: 1/2"
 Max deck thickness: 50mm
 Max drill hole: Ø 48mm - side valve
 Max drill hole: Ø 48mm - spout
 Max drill hole: Ø 45mm - handset

FLOW RATES

2.0 bar 26.3 l/min
 3.0 bar 31.0 l/min



FINISH

	V7K39-1LK	V7K39-2LK
CP	€3,398	€3,422
PN	€3,742	€3,766
URB	€3,910	€3,942
SSB/SSF	€4,078	€4,112
URM	€4,242	€4,278
MBC	€4,420	€4,458
CNB/CTB/ABM	€4,588	€4,624



CP
Chrome plate



PN
Polished nickel



URB
Urban brass



SSB
Stainless steel with matt black chrome



SSF
Stainless steel finish



URM
Urban brass matt lacquered



MBC
Matt black chrome



CNB
Country bronze



CTB
City bronze



ABM
Antique brass matt lacquered

LANDMARK INDUSTRIAL Bath

V7K44-1, V7K44-2 Deck mounted 3 hole bath filler (2 spout lengths)



V7K44-1LK
V7K44-2LK

V7K44-1XK
V7K44-2XK



V7K44-1LL
V7K44-2LL



V7K44-1LW
V7K44-2LW

FITTING / APPROVALS

Feeds: 1/2"

Max deck thickness: 50mm

Max drill hole: Ø 42mm - side valve

Max drill hole: Ø 48mm - spout



FLOW RATES

1.0 bar 21.0 l/min

3.0 bar 45.0 l/min



FINISH

	V7K44-1	V7K44-2
CP	€2,658	€2,660
PN	€2,920	€2,932
URB	€3,050	€3,062
SSB/SSF	€3,182	€3,192
URM	€3,312	€3,326
MBC	€3,458	€3,456
CNB/CTB/ABM	€3,588	€3,600



CP
Chrome
plate



PN
Polished
nickel



URB
Urban
brass



SSB
Stainless steel
with matt black
chrome



SSF
Stainless steel
finish



URM
Urban brass
matt lacquered



MBC
Matt black
chrome



CNB
Country
bronze



CTB
City bronze



ABM
Antique
brass matt
lacquered

V7K48-1, V7K48-2 Deck mounted 4 hole bath filler (2 spout lengths)



V7K48-1XK
V7K48-2XK



V7K48-1LL
V7K48-2LL



V7K48-1LW
V7K48-2LW

FITTING / APPROVALS

Feeds: 3/4"
Max deck thickness: 50mm
Max drill hole: Ø 42mm - side valve
Max drill hole: Ø 48mm - spout
Max drill hole: Ø 45mm - handset



FLOW RATES
1.0 bar 21.6 l/min
3.0 bar 40.0 l/min



FINISH

	V7K48-1	V7K48-2
CP	€3,860	€3,942
PN	€4,242	€4,338
URB	€4,432	€4,540
SSB/SSF	€4,624	€4,730
URM	€4,826	€4,932
MBC	€5,016	€5,122
CNB/CTB/ABM	€5,206	€5,326



CP
Chrome
plate



PN
Polished
nickel



URB
Urban
brass



SSB
Stainless steel
with matt black
chrome



SSF
Stainless steel
finish



URM
Urban brass
matt lacquered



MBC
Matt black
chrome



CNB
Country
bronze



CTB
City bronze



ABM
Antique
brass matt
lacquered

LANDMARK INDUSTRIAL Bath

V7K35-1, V7K35-2 Wall mounted 2 hole bath filler (2 spout lengths) left handed

requires V720V2-LH-IS



V7K35-1LL-LH
V7K35-2LL-LH

FITTING / APPROVALS

Requires V720V2-LH-IS



FLOW RATES

1.0 bar 20.0 l/min
3.0 bar 35.0 l/min



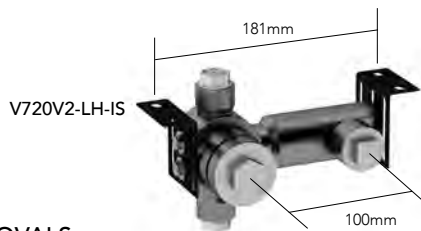
Also now available without trim plate.
V7K35-1-NP, V7K35-2-NP
Can be mounted left or right handed
using **V720V2-LH-IS** or **V720V2-RH-IS**

FINISH

	V7K35-1-LH	V7K35-2-LH
CP	€1,860	€1,860
PN	€2,038	€2,052
URB	€2,134	€2,148
SSB/SSF	€2,230	€2,230
URM	€2,326	€2,326
MBC	€2,420	€2,420
CNB/CTB/ABM	€2,502	€2,514

	V7K35-1-NP	V7K35-2-NP
CP	€1,706	€1,706
PN	€1,872	€1,882
URB	€1,954	€1,968
SSB/SSF	€2,038	€2,052
URM	€2,120	€2,134
MBC	€2,208	€2,216
CNB/CTB/ABM	€2,302	€2,300

V720V2-LH-IS Left handed rough - only for use with Landmark



FITTING / APPROVALS

Feeds: 1/2"

Fitting depth: Min 73mm - Max 84mm from finished tiled surface to rear of fixing.

Fixing brackets can be rotated 90 degrees.



V720V2-LH-IS-XX €482



CP
Chrome
plate

PN
Polished
nickel

URB
Urban
brass

SSB
Stainless steel
with matt black
chrome

SSF
Stainless steel
finish

URM
Urban brass
matt lacquered

MBC
Matt black
chrome

CNB
Country
bronze

CTB
City bronze

ABM
Antique
brass matt
lacquered

V7K35-1, V7K35-2 Wall mounted 2 hole bath filler (2 spout lengths) right handed

requires V720V2-RH-IS



V7K35-1LL-RH
V7K35-2LL-RH

FITTING / APPROVALS

Requires V720V2-RH-IS



Also now available without trim plate.
V7K35-1-NP, V7K35-2-NP
Can be mounted left or right handed
using **V720V2-LH-IS** or **V720V2-RH-IS**

FLOW RATES

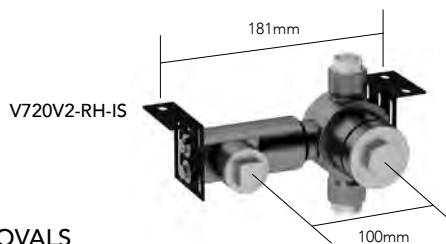
1.0 bar 20.0 l/min
3.0 bar 35.0 l/min

FINISH

	V7K35-1-RH	V7K35-2-RH
CP	€1,860	€1,860
PN	€2,038	€2,052
URB	€2,134	€2,148
SSB/SSF	€2,230	€2,230
URM	€2,326	€2,326
MBC	€2,420	€2,420
CNB/CTB/ABM	€2,502	€2,514

	V7K35-1-NP	V7K35-2-NP
CP	€1,706	€1,706
PN	€1,872	€1,882
URB	€1,954	€1,968
SSB/SSF	€2,038	€2,052
URM	€2,120	€2,134
MBC	€2,208	€2,216
CNB/CTB/ABM	€2,302	€2,300

V720V2-RH-IS Right handed rough - only for use with Landmark



FITTING / APPROVALS

Feeds: 1/2"
Fitting depth: Min 73mm - Max 84mm from finished tiled surface to rear of fixing.
Fixing brackets can be rotated 90 degrees.



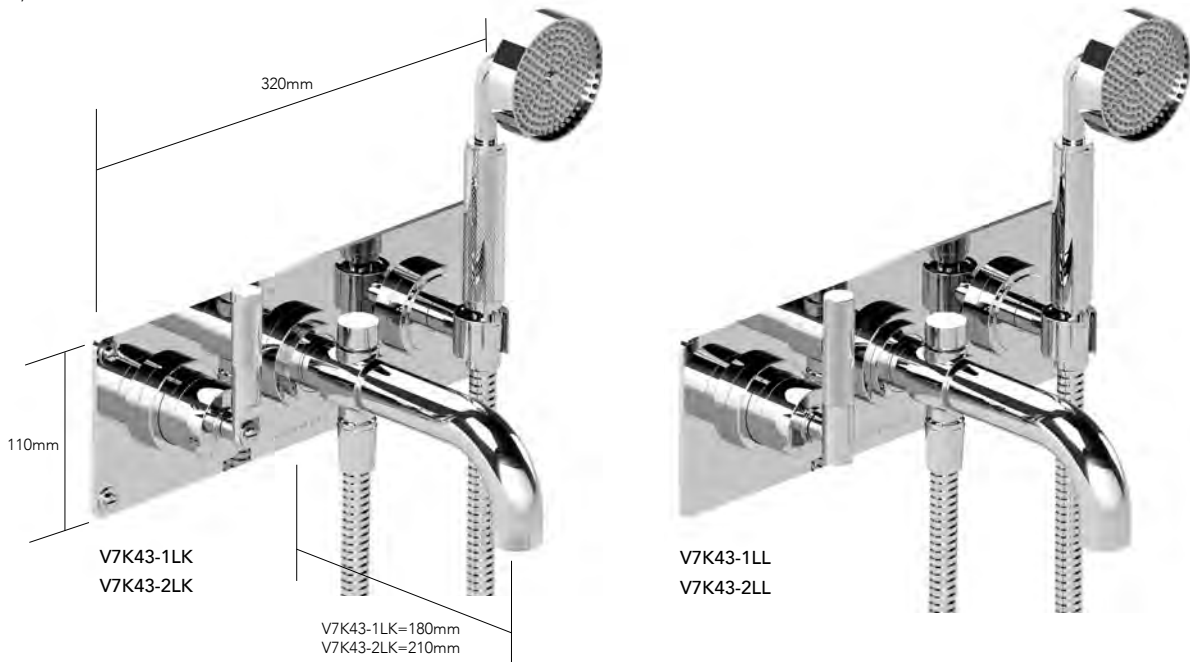
V720V2-RH-IS-XX €482



LANDMARK INDUSTRIAL Bath

V7K43-1, V7K43-2 Wall mounted 3 hole bath filler with diverter (2 spout lengths)

requires V720V2-LH-IS



FITTING / APPROVALS

Requires V720V2-LH-IS



FLOW RATES

Min 3.0 bar
3.0 bar 21.0 l/min



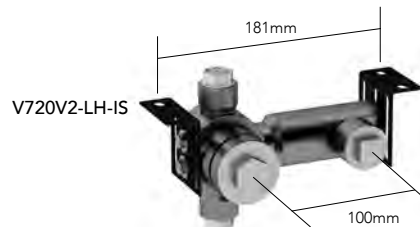
Also now available without trim plate. **V7K43-1-NP, V7K43-2-NP**

FINISH

	V7K43-1-LH	V7K43-2-LH
CP	€3,718	€3,742
PN	€4,088	€4,112
URB	€4,278	€4,302
SSB/SSF	€4,458	€4,482
URM	€4,638	€4,674
MBC	€4,826	€4,860
CNB/CTB/ABM	€5,014	€5,040

	V7K43-1-NP	V7K43-2-NP
CP	€3,718	€3,718
PN	€4,088	€4,088
URB	€4,278	€4,278
SSB/SSF	€4,458	€4,458
URM	€4,638	€4,638
MBC	€4,826	€4,826
CNB/CTB/ABM	€5,014	€5,014

V720V2-LH-IS Left handed rough - only for use with Landmark



FITTING / APPROVALS

Feeds: 1/2"

Fitting depth: Min 73mm - Max 84mm from finished tiled surface to rear of fixing.

Fixing brackets can be rotated 90 degrees.



V720V2-LH-IS-XX €482

LANDMARK INDUSTRIAL Bath

V7K47-1, V7K47-2 Wall mounted bath filler, trim set

requires V718-IS or V818-IS



FITTING / APPROVALS

Requires V718-IS or V818-IS



FLOW RATES

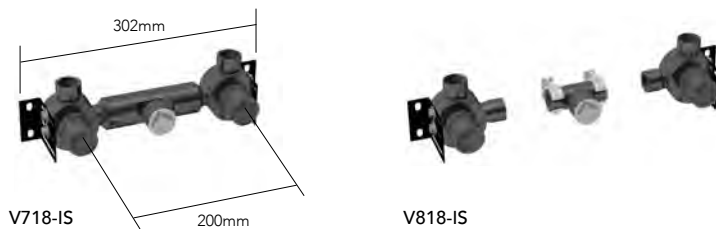
0.5 bar 25.2 l/min
1.0 bar 36.5 l/min
3.0 bar 67.3 l/min



FINISH

	V7K47-1	V7K47-2
CP	€2,000	€2,110
PN	€2,192	€2,326
URB	€2,300	€2,432
SSB/SSF	€2,394	€2,540
URM	€2,504	€2,646
MBC	€2,598	€2,744
CNB/CTB/ABM	€2,696	€2,850

V718-IS or V818-IS Roughs - only for use with Landmark



FITTING / APPROVALS

Feeds: 3/4" female with adaptor for 1/2" female
Fitting depth: Min 76mm



V718-IS-XX	€400
V818-IS-XX	€400



CP
Chrome
plate



PN
Polished
nickel



URB
Urban
brass



SSB
Stainless steel
with matt black
chrome



SSF
Stainless steel
finish



URM
Urban brass
matt lacquered



MBC
Matt black
chrome



CNB
Country
bronze



CTB
City bronze



ABM
Antique
brass matt
lacquered

LANDMARK INDUSTRIAL Bath

V7K42 Deck mounted side valves (pair) for overflow filler
requires V145



V7K42LK



V7K42XK



V7K42LL



V7K42LW

FITTING / APPROVALS

Feeds: 3/4"
 Max deck thickness: 50mm
 Max drill hole: Ø 42mm

FLOW RATES

0.5 bar 22.0 l/min
 3.0 bar 57.0 l/min



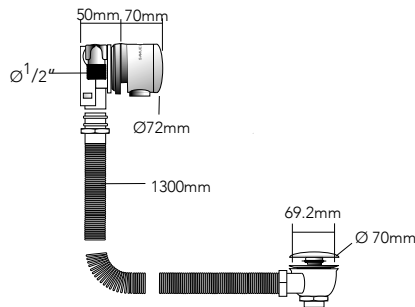
FINISH

CP €1,826
 PN €2,000
 URB €2,086
 SSB/SSF €2,180
 URM €2,276
 MBC €2,360
 CNB/CTB/ABM €2,456

PRICE

V145 Overflow filler (high pressure) with click waste

requires V7K42



FITTING / APPROVALS

Feeds: 1/2"
 For baths up to 8mm thick.
 For baths 8-30mm thick please
 order extra V145-EXT

FLOW RATES

1.0 bar 19.0 l/min
 3.0 bar 35.0 l/min

FINISH

CP €644
 PN €704
 URB €742
 SSF €870
 URM €870
 MBC €834
 CNB/CTB/ABM €872

PRICE

V145-EXT €122

V746-1K, V746-2K Wall mounted spout, trim sets
requires V758-IS



FITTING / APPROVALS

Fitting depth: Min 83mm
- Max 99mm



FINISH	V746-1	V746-2
CP	€704	€704
PN	€776	€778
URB	€812	€810
SSB/SSF	€848	€848
URM	€870	€882
MBC	€908	€918
CNB/CTB/ABM	€944	€954

V780-K Bath boss for hand shower



FINISH	PRICE
CP	€216
PN	€240
URB	€252
SSB/SSF	€266
URM	€276
MBC	€288
CNB/CTB/ABM	€286

V758-IS Spout rough for V746-1K and V746-2K



FITTING / APPROVALS

Feeds: 1/2"



XX	€166
----	------

V783 Angle bracket



FITTING / APPROVALS

Feeds: 1/2"



FINISH	PRICE
CP	€156
PN	€168
URB	€184
SSB/SSF	€184
URM	€192
MBC	€204
CNB/CTB/ABM	€218

V7K41 Deck mounted diverter



FITTING / APPROVALS	FINISH	PRICE
Feeds: 1/2" Max deck thickness: 55mm	CP	€918
	PN	€1,018
	URB	€1,064
	SSB/SSF	€1,110
	URM	€1,156
	MBC	€1,194
	CNB/CTB/ABM	€1,240

V165W, V940W, V941, V942 Hoses

FITTING / APPROVALS

Feeds: 1/2"



For WRAS approved versions order V165W, V940W, V941W or V942W.



	V165W	V940W	V941	V942
CP	€92	€92	€98	€110
PN	€100	€100	€98	€120
URB	€104	€104	€134	€146
SSF	€104	€104	€134	€146
URM	€116	€116	€158	€168
MBC	€116	€116	€146	€158
CNB/CTB/ABM	€120	€120	€266	€276

V754-K Easy clean hand shower



FITTING / APPROVALS

Feed: 1/2"



For WRAS approved version order V754W-K.

FLOW RATES

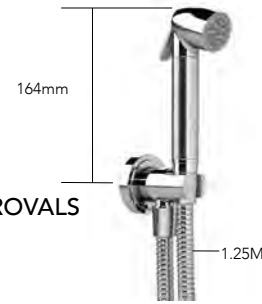
0.5 bar	3.5 l/min
1.0 bar	5.0 l/min
3.0 bar	5.6 l/min



FINISH	PRICE
CP	€504
PN	€558
URB	€586
SSF	€610
URM	€634
MBC	€658
CNB/CTB/ABM	€680

V766K-SPR Bidet spray

We recommend the use of a flow control with this bidet spray



FITTING / APPROVALS

Feed: 1/2"



For WRAS approved version order V754W-K.

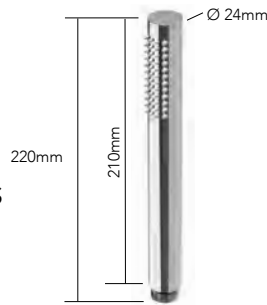
FLOW RATES

0.5 bar	4.0 l/min
1.0 bar	6.0 l/min
3.0 bar	7.4 l/min



FINISH	PRICE
CP	€646
PN	€646
URB	€668
SSF	€668
URM	€752
MBC	€742
CNB/CTB/ABM	€752

V182 Easy clean hand shower



FITTING / APPROVALS

Feed: 1/2"



For WRAS approved version order V182W.

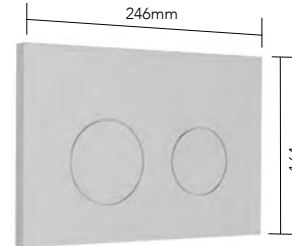
FLOW RATES

0.1 bar	3.2 l/min
1.0 bar	10.0 l/min
3.0 bar	13.34 l/min



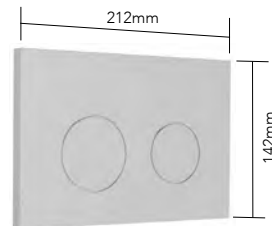
FINISH	PRICE
CP	€204
PN	€230
URB	€240
SSF	€240
URM	€276
MBC	€266
CNB/CTB/ABM	€276

V171 WC Dual flush plate to suit Geberit Sigma concealed cistern



FINISH	PRICE
CP	€1,922
PN	€2,002
URB	€2,070
SSF	€2,070
URM	€2,112
MBC	€2,126
CNB/CTB/ABM	€2,138

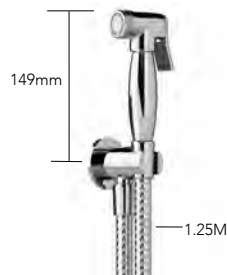
V172 WC Dual flush plate to suit Geberit Omega concealed cistern



FINISH	PRICE
CP	€1,922
PN	€2,002
URB	€2,070
SSF	€2,070
URM	€2,112
MBC	€2,126
CNB/CTB/ABM	€2,138

V299 Bidet spray

We recommend the use of a flow control with this bidet spray



FITTING / APPROVALS

Feed: 1/2"

FLOW RATES

0.5 bar	4.0 l/min
1.0 bar	6.0 l/min
3.0 bar	7.4 l/min



FINISH	PRICE
CP	€348
PN	€384
URB	€478
SSF	€478
URM	€598
MBC	€598
CNB/CTB/ABM	€718

V777 Cistern lever

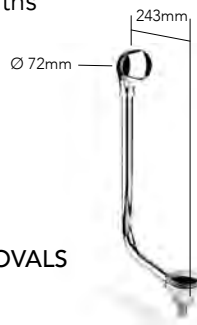
V777EXT Extended cistern lever

Not compatible with air-activated systems



FINISH	V777LK	V777EXT-LK
CP	€432	€562
PN	€478	€622
URB	€502	€646
SSB/SSF	€514	€680
URM	€538	€704
MBC	€562	€728
CNB/CTB/ABM	€584	€764

V197 Bath click-clack waste with overflow for freestanding baths



FITTING / APPROVALS

Waste: 1 1/2"

An extended version for baths with a central waste is available.

FINISH	V197	V197-EXT
CP	€400	€582
PN	€442	€642
URB	€460	€670
SSB/SSF	€460	€670
URM	€562	€728
MBC	€562	€756
CNB/CTB/ABM	€562	€786

VA66 1 1/2" Auto pop-up waste



FITTING / APPROVALS

Waste: 1 1/2"

FINISH	PRICE
CP	€292
PN	€322
SSF	€334
MBC	€376
CNB/CTB/ABM	€394

V392 1 1/2" Bath click-clack waste, slotted
V392-UNS 1 1/2" Bath click-clack waste, unslotted



V392

V392-UNS

FINISH	V392	V392-UNS
CP	€138	€138
PN	€146	€146
URB	€164	€164
SSB/SSF	€164	€164
URM	€242	€242
MBC	€242	€242
CNB/CTB/ABM	€240	€240

VA67 1 1/2" Auto pop-up waste, extended for large baths



FITTING / APPROVALS

Waste: 1 1/2"

FINISH	PRICE
CP	€322
PN	€352
URB	€368
SSF	€368
URM	€400
MBC	€412
CNB/CTB/ABM	€430

VA65 1 1/2" Combined bath waste and overflow with metal plug and chain



FITTING / APPROVALS

Waste: 1 1/2"

FINISH	PRICE
CP	€164
PN	€180
URB	€250
SSB/SSF	€250
URM	€366
MBC	€250
CNB/CTB/ABM	€278

V195 Low P trap for freestanding bath



FITTING / APPROVALS

Waste: 1 1/2"

FINISH	PRICE
CP	€134
PN	€166
SSF	€192

Landmark Industrial thermostatic shower valve with knurled levers and cross top in urban brass



Landmark Industrial thermostatic shower with lathe levers and cross top in polished nickel



LANDMARK INDUSTRIAL Shower

V7K6XLK9 Exposed 1/2" thermostatic shower set



V7K6LLK9



V7K6LLL9



V7K6WLL9

FITTING / APPROVALS

Feeds: 1/2"

Centres: 147mm - 190mm

Height extensions are available, please contact our sales office.



Thermostatic valve only.

FINISH

FINISH	PRICE
CP	€7,348
PN	€8,074
URB	€8,420
SSB/SSF	€8,752
URM	€9,154
MBC	€9,514
CNB/CTB/ABM	€9,868



CP
Chrome
plate



PN
Polished
nickel



URB
Urban
brass



SSB
Stainless steel
with matt black
chrome



SSF
Stainless steel
finish



URM
Urban brass
matt lacquered



MBC
Matt black
chrome



CNB
Country
bronze



CTB
City bronze



ABM
Antique
brass matt
lacquered

V7B2 1/2" Concealed thermostatic shower, 2 flow controls

includes V663 easy clean shower head and V754 handshower.

Requires V135-IS concealed valve



V7B2XLK9



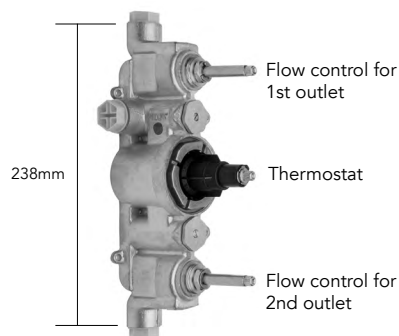
V7B2WLL9



V7B2TLX9

V135-IS Concealed thermostatic valve - rough

Requires V7B2. This valve has 2 controlled outlets which can operate simultaneously.



FITTING / APPROVALS

Feeds: 1/2"

Projection of valve: 44mm

Extension kits are available.

FINISH

CP	€4,816
PN	€5,282
URB	€5,506
SSB/SSF	€5,674
URM	€5,982
MBC	€6,210
CNB/CTB/ABM	€6,446

PRICE

ROUGH

€952

FITTING / APPROVALS

Feeds: 1/2"

Fitting depth: Min 108mm - Max 119mm from finished tiled surface to rear of fixing, when used with Landmark.

Extension kits are available V135-EXT adding 25mm to fitting depth. If necessary more than one extension kit can be used.

FLOW RATES

0.5 bar 12.0 l/min

3.0 bar 32.0 l/min

Flow can be limited eg. for BREEAM



CP
Chrome plate

PN
Polished nickel

URB
Urban brass

SSB
Stainless steel with matt black chrome

SSF
Stainless steel finish

URM
Urban brass matt lacquered

MBC
Matt black chrome

CNB
Country bronze

CTB
City bronze

ABM
Antique brass matt lacquered

LANDMARK INDUSTRIAL Shower

V7B1 1/2" Concealed thermostatic shower, 2 flow controls

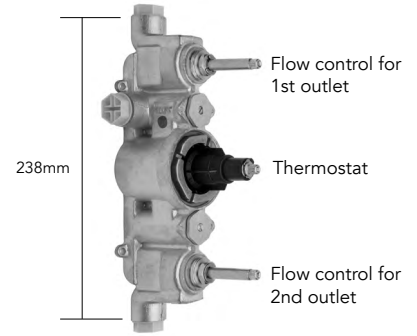
includes V663 easy clean shower head and V754 handshower.

Requires V135-IS concealed valve



V135-IS Concealed thermostatic valve - rough

Requires V7B1. This valve has 2 controlled outlets which can operate simultaneously.



FITTING / APPROVALS

Feeds: 1/2"

Projection of valve: 44mm

Extension kits are available.

FINISH

FINISH	PRICE
CP	€5,538
PN	€6,072
URB	€6,346
SSB/SSF	€6,516
URM	€6,896
MBC	€7,160
CNB/CTB/ABM	€7,418

ROUGH

€952

FITTING / APPROVALS

Feeds: 1/2"

Fitting depth: Min 108mm - Max 119mm
from finished tiled surface to rear of fixing,
when used with Landmark.

Extension kits are available V135-EXT
adding 25mm to fitting depth. If necessary
more than one extension kit can be used.

FLOW RATES

0.5 bar 12.0 l/min

3.0 bar 32.0 l/min

Flow can be limited

eg. for BREEAM



CP
Chrome
plate



PN
Polished
nickel



URB
Urban
brass



SSB
Stainless steel
with matt black
chrome



SSF
Stainless steel
finish



URM
Urban brass
matt lacquered



MBC
Matt black
chrome



CNB
Country
bronze



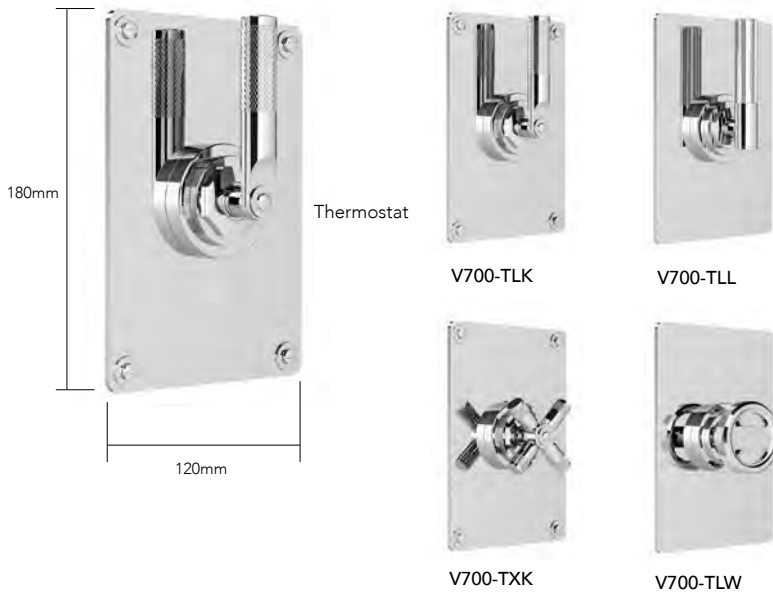
CTB
City bronze



ABM
Antique
brass matt
lacquered

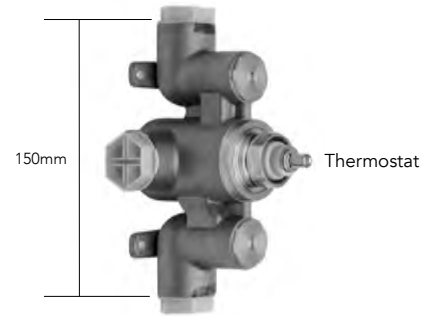
V700-T Trim set for V133-IS thermostatic valve

Requires V133-IS



V133-IS Concealed thermostatic valve - rough

Requires V700-T. This valve has 2 open outlets. Use V707 for each.



FITTING / APPROVALS

Feeds: 3/4"
Projection of valve: 44mm
Options: V707 flow control

FINISH	PRICE
CP	€1,496
PN	€1,644
URB	€1,714
SSB/SSF	€1,786
URM	€1,874
MBC	€1,946
CNB/CTB/ABM	€2,016

ROUGH

€552

FITTING / APPROVALS

Feeds: 3/4"
Fitting depth: Min 102mm - Max 113mm
from finished tiled surface to rear of fixing,
when used with V700 trim.

Extension kits are available V133-EXT
adding 25mm to fitting depth. If necessary
more than one extension kit can be used.
Further outlets can be configured.

FLOW RATES

0.5 bar 12.0 l/min
3.0 bar 32.0 l/min

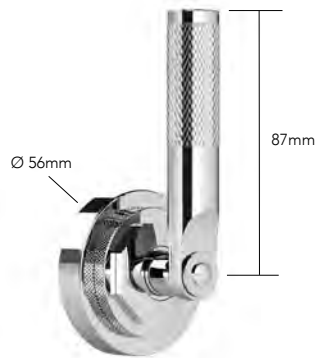
Flow can be limited
eg. for BREEAM



LANDMARK INDUSTRIAL Shower

V707-T Trim set for V607-IS flow control

Requires V607-IS



V707-TLK



V707-TLL



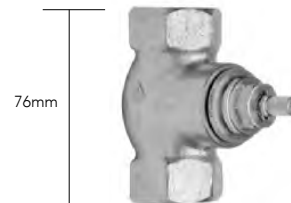
V707-TXK



V707-TLW

V607-IS Concealed flow control - rough

Requires V707-T



FITTING / APPROVALS

Feeds: 3/4"
Projection of valve: 40mm



FINISH

FINISH	PRICE
CP	€780
PN	€862
URB	€900
SSB/SSF	€938
URM	€974
MBC	€1,008
CNB/CTB/ABM	€1,060

PRICE

ROUGH

€160

FITTING / APPROVALS

Feeds: 3/4"
Fitting depth: Min 59.5 - Max 70.5mm
from finished tiled surface to centre,
when used with Landmark.

*Extension kits are available V607-EXT
adding 25mm to fitting depth. If necessary
more than one extension kit can be used.*

FLOW RATES

0.1 bar 22.2 l/min
3.0 bar 34.2 l/min
Flow can be limited
eg. for BREEAM



CP
Chrome
plate



PN
Polished
nickel



URB
Urban
brass



SSB
Stainless steel
with matt black
chrome



SSF
Stainless steel
finish



URM
Urban brass
matt lacquered



MBC
Matt black
chrome



CNB
Country
bronze



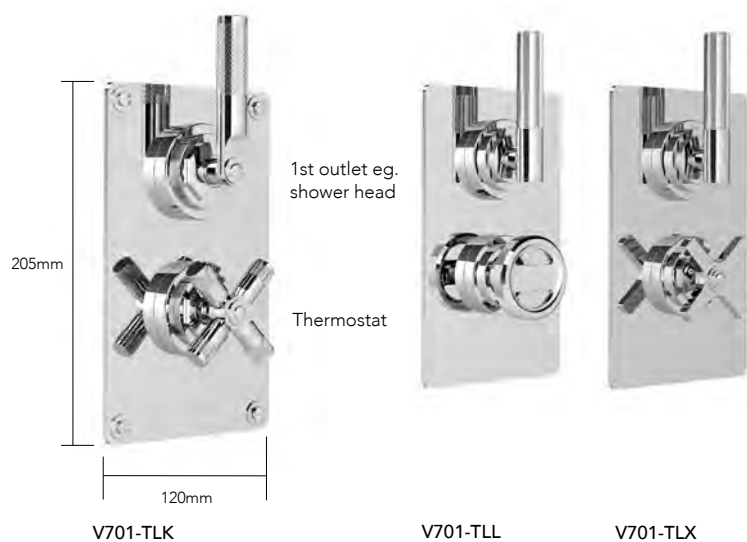
CTB
City bronze



ABM
Antique
brass matt
lacquered

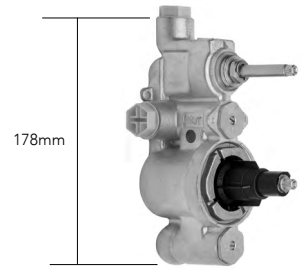
V701-T Trim set for V134-IS thermostatic valve

Requires V134-IS



V134-IS Concealed thermostatic valve - rough

Requires V701-T. This valve has 1 controlled outlet



FITTING / APPROVALS

Projection of valve: 44mm

FINISH

CP	€2,118
PN	€2,324
URB	€2,432
SSB/SSF	€2,542
URM	€2,638
MBC	€2,748
CNB/CTB/ABM	€2,860

PRICE

ROUGH

€712

FITTING / APPROVALS

Feeds: 1/2"

Fitting depth: Min 108mm - Max 119mm from finished tiled surface to rear of fixing, when used with Landmark.

Extension kits are available V134-EXT adding 25mm to fitting depth. If necessary more than one extension kit can be used.

FLOW RATES

0.5 bar 10.0 l/min

3.0 bar 29.6 l/min

Flow can be limited

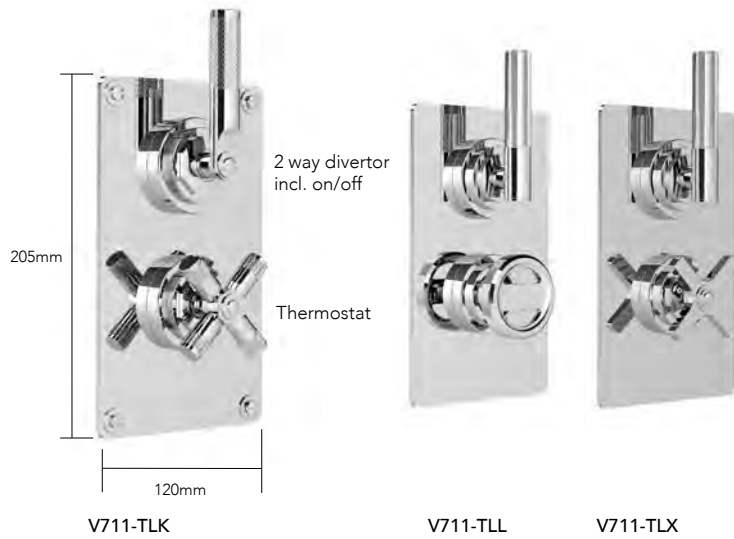
eg. for BREEAM



LANDMARK INDUSTRIAL Shower

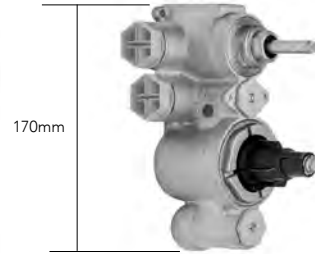
V711-T Trim set for V111-IS thermostatic valve

Requires V111-IS



V111-IS Concealed thermostatic valve - rough

Requires V711-T. This valve has a two way divertor



FITTING / APPROVALS

Projection of valve: 44mm

FINISH

FINISH	PRICE
CP	€2,118
PN	€2,324
URB	€2,432
SSB/SSF	€2,542
URM	€2,638
MBC	€2,750
CNB/CTB/ABM	€2,860

ROUGH

€788

FITTING / APPROVALS

Feeds: 1/2"

Fitting depth: Min 108mm - Max 119mm from finished tiled surface to rear of fixing, when used with Landmark.

Extension kits are available V111-EXT adding 25mm to fitting depth. If necessary more than one extension kit can be used.

WRAS approval pending

FLOW RATES

0.5 bar 10.0 l/min

3.0 bar 29.6 l/min

Flow can be limited eg. for BREEAM



CP
Chrome plate



PN
Polished nickel



URB
Urban brass



SSB
Stainless steel with matt black chrome



SSF
Stainless steel finish



URM
Urban brass matt lacquered



MBC
Matt black chrome



CNB
Country bronze



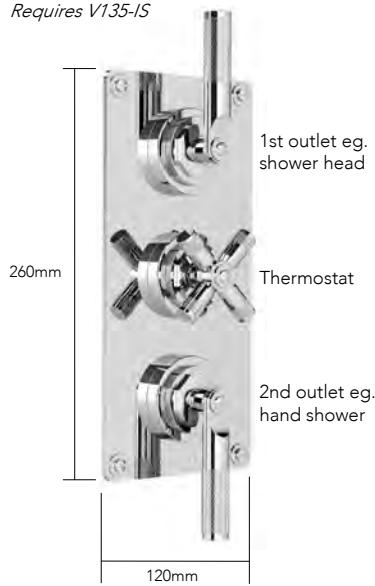
CTB
City bronze



ABM
Antique brass matt lacquered

V702-T, V705-T Trim set for V135-IS thermostatic valve - 2 separate flow controls

Requires V135-IS

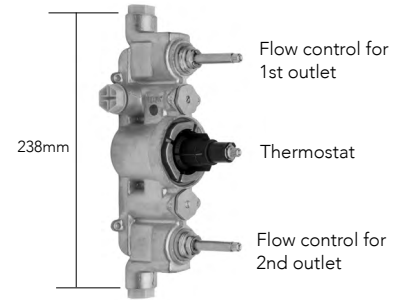


V702-TLK



V135-IS Concealed thermostatic valve - rough

Requires V702-T or V705-T. This valve has 2 controlled outlets which can operate simultaneously



FITTING / APPROVALS

Projection of valve: 44mm

FINISH

	V702-T	V705-T
CP	€2,880	€2,880
PN	€3,162	€3,162
URB	€3,308	€3,308
SSB/SSF	€3,452	€3,452
URM	€3,598	€3,598
MBC	€3,730	€3,730
CNB/CTB/ABM	€3,878	€3,878

ROUGH

€952

FITTING / APPROVALS

Feeds: 1/2"

Fitting depth: Min 108mm - Max 119mm from finished tiled surface to rear of fixing, when used with Landmark.

Extension kits are available V135-EXT adding 25mm to fitting depth. If necessary more than one extension kit can be used.

FLOW RATES

0.5 bar 12.0 l/min

3.0 bar 32.0 l/min

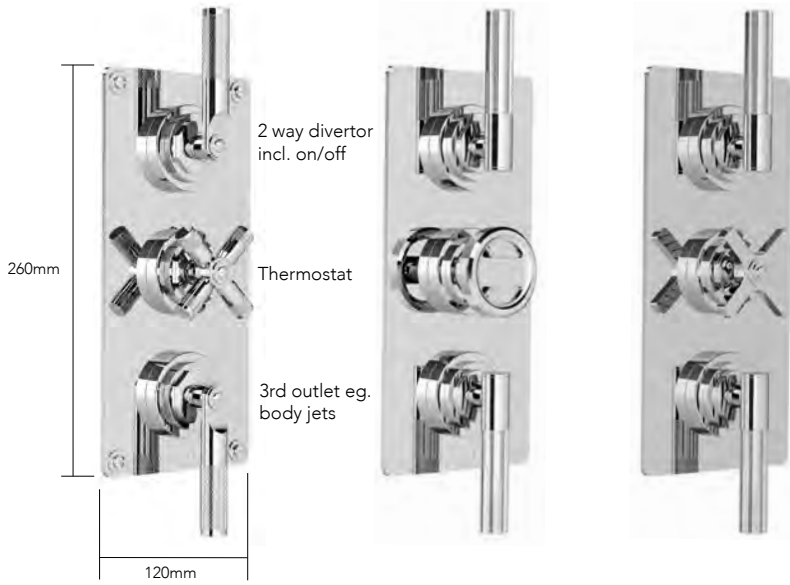
Flow can be limited eg. for BREEAM



LANDMARK INDUSTRIAL Shower

V703-T Trim set for V132-IS thermostatic valve - 2- way diverter with flow control for 3rd outlet

Requires V132-IS



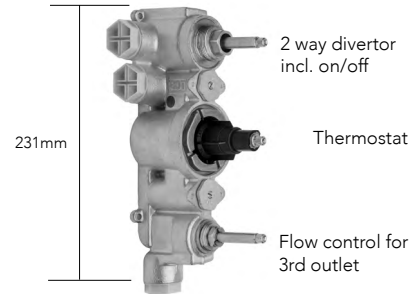
V703-TLK

V703-TLL

V703-TLX

V132-IS Concealed thermostatic valve - rough

Requires V703-T. This valve has a two-way divertor plus an extra controlled outlet giving 3 options



FITTING / APPROVALS

Projection of valve: 44mm

FINISH

CP	€2,880
PN	€3,162
URB	€3,308
SSB/SSF	€3,452
URM	€3,598
MBC	€3,730
CNB/CTB/ABM	€3,878

PRICE

ROUGH

€1,048

FITTING / APPROVALS

Feeds: 3/4"

Fitting depth: Min 108mm - Max 119mm from finished tiled surface to rear of fixing, when used with Landmark.

Extension kits are available V132-EXT adding 25mm to fitting depth. If necessary more than one extension kit can be used.

WRAS approval pending

FLOW RATES

0.5 bar 15.0 l/min

3.0 bar 40.5 l/min

Flow can be limited

eg. for BREEAM



CP
Chrome plate



PN
Polished nickel



URB
Urban brass



SSB
Stainless steel with matt black chrome



SSF
Stainless steel finish



URM
Urban brass matt lacquered



MBC
Matt black chrome



CNB
Country bronze



CTB
City bronze

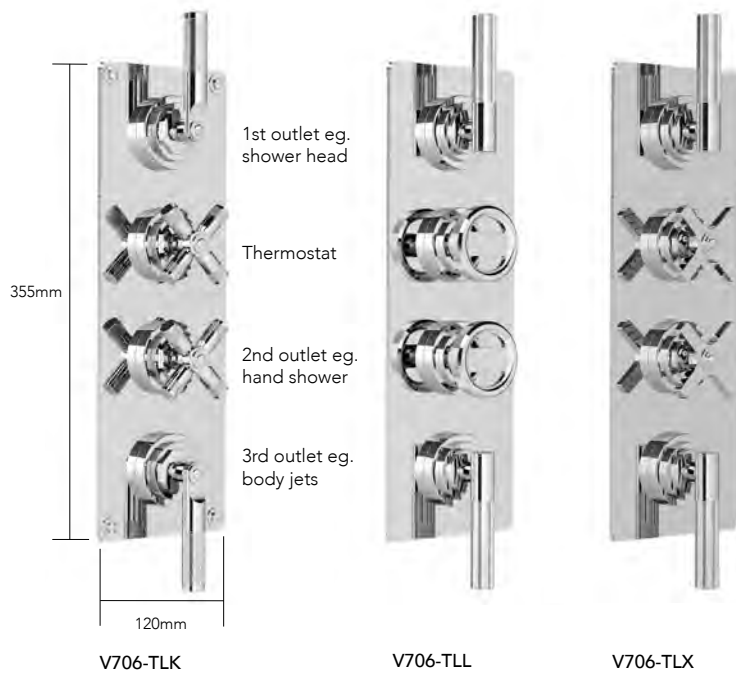


ABM
Antique brass matt lacquered

LANDMARK INDUSTRIAL Shower

V706-T Trim set for V606-IS thermostatic valve - 3 separate flow controls with 4th open outlet

Requires V606-IS

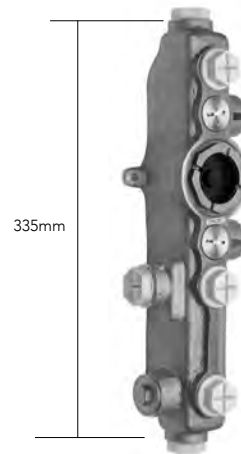


V606-IS Concealed thermostatic valve - rough

Requires V706-T. This valve has 3 controlled outlets and

1 open outlet giving 4 options, which can operate simultaneously.

Open outlet requires V707 if used



FITTING / APPROVALS

Projection of valve: 44mm
Options: V707 flow control

FINISH

CP	€4,000
PN	€4,400
URB	€4,608
SSB/SSF	€4,804
URM	€5,008
MBC	€5,198
CNB/CTB/ABM	€5,410

PRICE

ROUGH

€1,364

FITTING / APPROVALS

Feeds: 3/4"

Fitting depth: Min 110.5mm - Max 120.5mm
from finished tiled surface to rear of fixing,
when used with Landmark.

Extension kits are available V606-EXT
adding 25mm to fitting depth. If necessary
more than one extension kit can be used.
Further outlets can be configured.

FLOW RATES

0.5 bar 12.0 l/min

3.0 bar 33.0 l/min

Flow can be limited
eg. for BREEAM



CP
Chrome
plate



PN
Polished
nickel



URB
Urban
brass



SSB
Stainless steel
with matt black
chrome



SSF
Stainless steel
finish



URM
Urban brass
matt lacquered



MBC
Matt black
chrome



CNB
Country
bronze



CTB
City bronze



ABM
Antique
brass matt
lacquered

LANDMARK INDUSTRIAL Shower

V768-T Trim set for V168-IS concealed 3 way diverter

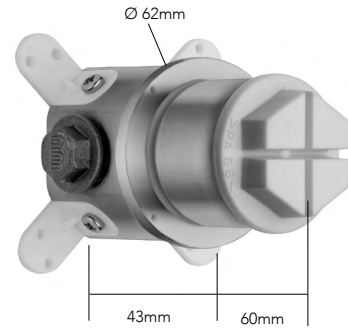
Requires V168-IS



V168-IS Concealed 3-way diverter rough

Requires V768-T

- One inlet, three outlets (one can be closed off)



FITTING / APPROVALS

Feeds: 1/2"
Projection of valve: 40mm

FINISH

CP	€802
PN	€890
URB	€928
SSB/SSF	€964
URM	€1,016
MBC	€1,050
CNB/CTB/ABM	€1,090

PRICE

ROUGH

€452

FITTING / APPROVALS

Feeds: 1/2"
Fitting depth: Min 103.5mm - Max 114.5mm
from finished tiled surface to rear of fixing,
when used with Landmark.

Can be used for deck mounting providing
the unit is supported sufficiently.

FLOW RATES

0.1 bar 6.4 l/min
1.0 bar 20.4 l/min
3.0 bar 37.2 l/min

Flow can be limited
eg. for BREEAM



CP
Chrome
plate



PN
Polished
nickel



URB
Urban
brass



SSB
Stainless steel
with matt black
chrome



SSF
Stainless steel
finish



URM
Urban brass
matt lacquered



MBC
Matt black
chrome



CNB
Country
bronze



CTB
City bronze



ABM
Antique
brass matt
lacquered

V762 1/2" Overhead shower arm



FITTING / APPROVALS	FINISH	PRICE
Feed: 1/2" Max installation depth: 87mm Projection: 490mm	CP	€546
	PN	€610
	URB	€634
	SSF	€634
	URM	€692
	MBC	€718
	CNB/CTB/ABM	€742



For WRAS approved version order V762W.

V663 200mm Easy clean shower head

For swivel ball joint order V987.

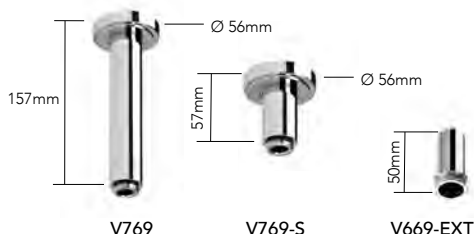


FITTING / APPROVALS	FINISH	PRICE
Feed: 1/2"	CP	€562
	PN	€610
	URB	€634
	SSF	€634
	URM	€694
	MBC	€718
	CNB/CTB/ABM	€754



For WRAS approved version order V663W.

V769, V769-S, V669-EXT 1/2" Ceiling tube for shower head



- V669-EXT extension piece can replace the 157mm tube to give a 50mm projection for fitting close to ceiling
- More than one V669-EXT extension piece can be used

FITTING / APPROVALS	FINISH	V769	V769-S	V669-EXT
	CP	€252	€184	€98
	PN	€276	€204	€96
	URB	€288	€204	€110
	SSF	€288	€204	€110
	URM	€314	€230	€122
	MBC	€324	€240	€122
	CNB/CTB/ABM	€334	€240	€120

V665 300mm Easy clean shower head

For swivel ball joint order V987.

Due to its weight this product is best used with a ceiling tube, or the wall mounted shower arms V262, V662, V762, and T162; the pipework and shower arms must be rigidly secured. If used with exposed pipework additional support brackets will be required.



FITTING / APPROVALS	FINISH	PRICE
Feed: 1/2"	CP	€1,028
	PN	€1,122
	URB	€1,184
	SSF	€1,184
	URM	€1,276
	MBC	€1,338
	CNB/CTB/ABM	€1,382



For WRAS approved version order V665W.

V779 Adjustable, 6-jet easy clean shower head



FITTING / APPROVALS	FINISH	PRICE
Feed: 1/2"	CP	€644
	PN	€706
	URB	€740
	SSF	€740
	URM	€802
	MBC	€836
	CNB/CTB/ABM	€860



V779-8 Adjustable, 8-jet easy clean shower head



FITTING / APPROVALS	FINISH	PRICE
Feed: 1/2"	CP	€692
	PN	€740
	URB	€764
	SSF	€764
	URM	€836
	MBC	€870
	CNB/CTB/ABM	€898



LANDMARK INDUSTRIAL Shower

V178 200mm Easy clean shower head



FITTING / APPROVALS	FINISH	PRICE
Feed: 1/2"	CP	€324
	PN	€360
	URB	€502
	SSF	€370
	URM	€502
	MBC	€418
	CNB/CTB/ABM	€502



V198 120mm Dual function easy clean shower head



FITTING / APPROVALS	FINISH	PRICE
Feed: 1/2"	CP	€286



V188 200mm Easy clean shower head



FITTING / APPROVALS

Feed: 1/2"



For WRAS approved version order V188W.

FINISH	PRICE
CP	€656
PN	€714
SSF	€752

V378 200mm Square easy clean shower head



FITTING / APPROVALS

Feed: 1/2"



FINISH	PRICE
CP	€882
PN	€966
SSF	€1,018

V189 300mm Easy clean shower head

Due to its weight this product is best used with a ceiling tube. If used with exposed pipework additional support brackets will be required.



FITTING / APPROVALS	FINISH	PRICE
Feed: 1/2"	CP	€956
	PN	€1,048
	SSF	€1,100



For WRAS approved version order V189W.

V379 300mm Square easy clean shower head

Due to its weight this product is best used with a ceiling tube. If used with exposed pipework additional support brackets will be required.



FITTING / APPROVALS	FINISH	PRICE
Feed: 1/2"	CP	€1,194
	PN	€1,300
	SSF	€1,360



V764 Wall outlet



FITTING / APPROVALS	FINISH	PRICE
Feed: 1/2"	CP	€152
	PN	€164
	URB	€176
	SSF	€176
	URM	€192
	MBC	€196
	CNB/CTB/ABM	€202



For WRAS approved version order V764W.

V767 Wall bracket



FITTING / APPROVALS	FINISH	PRICE
Feed: 1/2"	CP	€240
	PN	€250
	URB	€266
	SSF	€266
	URM	€286
	MBC	€302
	CNB/CTB/ABM	€312

V766 Combined wall outlet / bracket



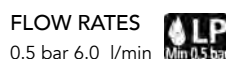
FITTING / APPROVALS	FINISH	PRICE
Feed: 1/2"	CP	€166
	PN	€194
	URB	€204
	SSF	€204
	URM	€216
	MBC	€230
	CNB/CTB/ABM	€230



V276 Body jet (high flow)



FITTING / APPROVALS	FINISH	PRICE
Feed: 1/2"	CP	€362
	PN	€416
	URB	€414
	SSF	€416
	URM	€512
	MBC	€472
	CNB/CTB/ABM	€520



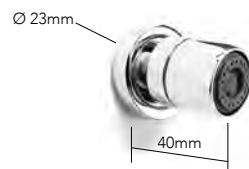
FLOW RATES
0.5 bar 6.0 l/min
1.0 bar 9.0 l/min
3.0 bar 14.0 l/min

V780-K Bath boss for hand shower



FINISH	PRICE
CP	€216
PN	€240
URB	€252
SSF	€266
URM	€276
MBC	€288
CNB/CTB/ABM	€286

V176 1/2" Bodyjet



FITTING / APPROVALS	FINISH	PRICE
Feed: 1/2"	CP	€166
	PN	€182
	URB	€194
	SSF	€194
	URM	€216
	MBC	€216
	CNB/CTB/ABM	€266



FLOW RATES
0.5 bar 3.0 l/min
1.0 bar 5.0 l/min
3.0 bar 9.0 l/min

V783 Angle bracket



FITTING / APPROVALS	FINISH	PRICE
Feed: 1/2"	CP	€156
	PN	€168
	URB	€184
	SSF	€184
	URM	€192
	MBC	€204
	CNB/CTB/ABM	€218



V987 Swivel ball joint

For use with V663 and V665 shower heads.



FITTING / APPROVALS	FINISH	PRICE
Feed: 1/2"	CP	€98
	PN	€106
	URB	€192
	SSF	€108
	URM	€218
	MBC	€126
	CNB/CTB/ABM	€140

V165W, V940W, V941, V942 Hoses

FITTING / APPROVALS

Feeds: 1/2"



For WRAS approved versions order V165W, V940W, V941W or V942W.



	V165W	V940W	V941	V942
CP	€92	€92	€98	€110
PN	€100	€100	€98	€120
URB	€104	€104	€134	€146
SSF	€104	€104	€134	€146
URM	€116	€116	€158	€168
MBC	€116	€116	€146	€158
CNB/CTB/ABM	€120	€120	€266	€276

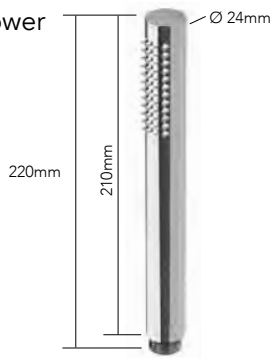
V182 Easy clean hand shower

FITTING / APPROVALS

Feed: 1/2"



For WRAS approved version order V182W.



FINISH	PRICE
CP	€204
PN	€230
URB	€240
SSF	€240
URM	€276
MBC	€266
CNB/CTB/ABM	€276

V754-K Easy clean hand shower

FITTING / APPROVALS

Feed: 1/2"



For WRAS approved version order V754W-K.



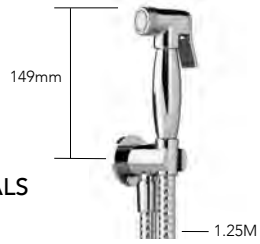
FINISH	PRICE
CP	€504
PN	€558
URB	€586
SSF	€610
URM	€634
MBC	€658
CNB/CTB/ABM	€680

V299 Bidet spray

We recommend the use of a flow control with this bidet spray

FITTING / APPROVALS

Feeds: 1/2"



FINISH	PRICE
CP	€348
PN	€384
URB	€478
SSF	€478
URM	€598
MBC	€598
CNB/CTB/ABM	€718

V766K-SPR Bidet spray

We recommend the use of a flow control with this bidet spray

FITTING / APPROVALS

Feed: 1/2"



FINISH	PRICE
CP	€646
PN	€646
URB	€668
SSF	€668
URM	€752
MBC	€742
CNB/CTB/ABM	€752

V79... Optional indices



V790-K (Plain)



V791-K-C (Cold)



V791-K-H (Hot)

FINISH	PRICE
CP	€50
PN	€64
URB	€62
SSF	€62
URM	€62
MBC	€62
CNB/CTB/ABM	€72

V770-KITK Slider rail kit

V770 Slider rail



FITTING / APPROVALS

Feed: 1/2"

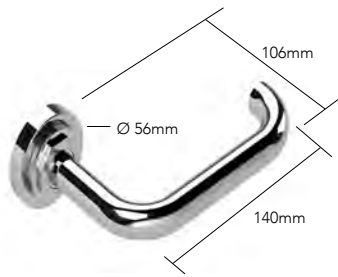
FINISH	PRICE
CP	€1,492
PN	€1,644
URB	€1,716
SSB/SSF	€1,742
URM	€1,872
MBC	€1,932
CNB/CTB/ABM	€2,014

FINISH	PRICE
CP	€752
PN	€834
URB	€870
SSB/SSF	€872
URM	€944
MBC	€980
CNB/CTB/ABM	€1,016

Landmark Industrial robe hook in urban brass



N7637K-RH Paper holder



FINISH	PRICE
CP	€318
PN	€350
URB	€362
SSB/SSF	€376
URM	€394
MBC	€410
CNB/CTB/ABM	€428

N7634K Soap holder



FINISH	PRICE
CP	€372
PN	€408
URB	€432
SSB/SSF	€446
URM	€470
MBC	€484
CNB/CTB/ABM	€502

N7637K-LH Paper holder



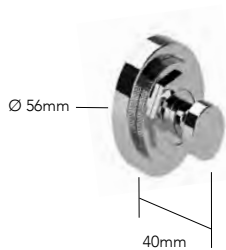
FINISH	PRICE
CP	€318
PN	€350
URB	€362
SSB/SSF	€376
URM	€394
MBC	€410
CNB/CTB/ABM	€428

N7635K Tumbler holder



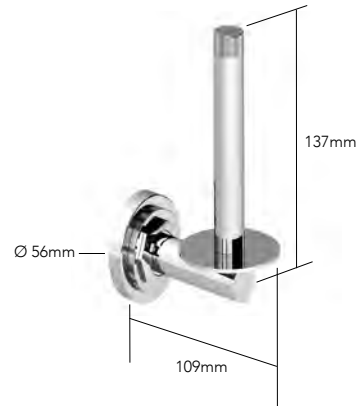
FINISH	PRICE
CP	€372
PN	€408
URB	€432
SSB/SSF	€446
URM	€470
MBC	€484
CNB/CTB/ABM	€502

N7632K Robe hook



FINISH	PRICE
CP	€192
PN	€210
URB	€222
SSB/SSF	€232
URM	€240
MBC	€248
CNB/CTB/ABM	€258

N7691K Spare paper holder



FINISH	PRICE
CP	€328
PN	€362
URB	€378
SSB/SSF	€396
URM	€410
MBC	€430
CNB/CTB/ABM	€444

N7648K Single robe hook



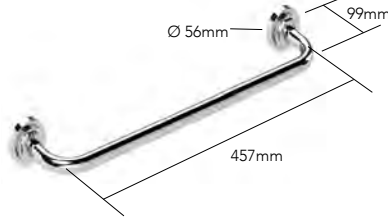
FINISH	PRICE
CP	€258
PN	€284
URB	€298
SSB/SSF	€312
URM	€322
MBC	€334
CNB/CTB/ABM	€348

N7698K-6, N7698K-8 Towel ring



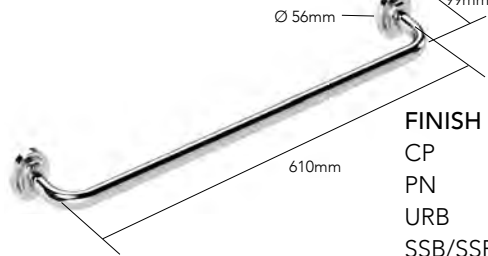
FINISH	N7698K-6	N7698K-8
CP	€240	€252
PN	€264	€280
URB	€276	€290
SSB/SSF	€288	€306
URM	€302	€318
MBC	€314	€326
CNB/CTB/ABM	€324	€344

N7655K Short towel rail



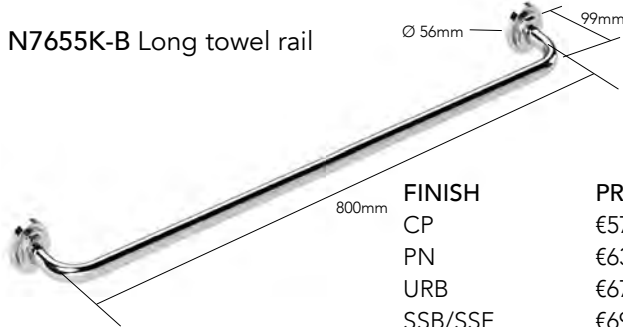
FINISH	PRICE
CP	€542
PN	€598
URB	€634
SSB/SSF	€658
URM	€682
MBC	€704
CNB/CTB/ABM	€742

N7655K-A Medium towel rail



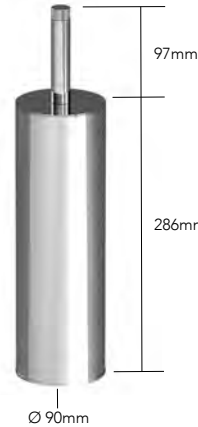
FINISH	PRICE
CP	€554
PN	€610
URB	€644
SSB/SSF	€670
URM	€692
MBC	€728
CNB/CTB/ABM	€752

N7655K-B Long towel rail



FINISH	PRICE
CP	€574
PN	€634
URB	€670
SSB/SSF	€692
URM	€728
MBC	€752
CNB/CTB/ABM	€788

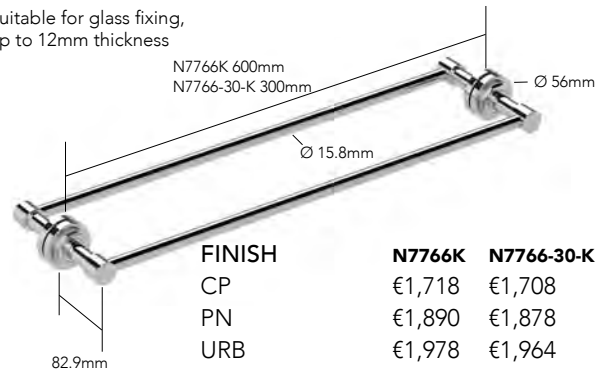
L7642K Wall mounted toilet brush
L7644K Freestanding toilet brush



FINISH	L7642K	L7644K
CP	€356	€318
PN	€392	€350
URB	€408	€362
SSB/SSF	€426	€376
URM	€444	€394
MBC	€460	€410
CNB/CTB/ABM	€476	€428

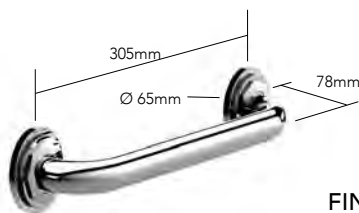
N7766K, N7766-30-K Back to back shower door rail

Suitable for glass fixing, up to 12mm thickness



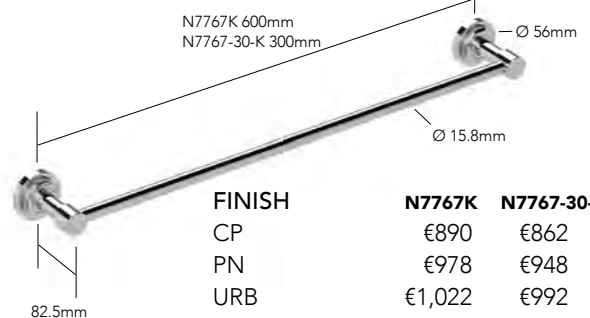
FINISH	N7766K	N7766-30-K
CP	€1,718	€1,708
PN	€1,890	€1,878
URB	€1,978	€1,964
SSB/SSF	€2,064	€2,050
URM	€2,150	€2,134
MBC	€2,234	€2,220
CNB/CTB/ABM	€2,320	€2,306

N7739K Grab rail



FINISH	PRICE
CP	€764
PN	€836
URB	€870
SSB/SSF	€908
URM	€954
MBC	€992
CNB/CTB/ABM	€1,026

N7767K, N7767-30-K Towel Rail



FINISH	N7767K	N7767-30-K
CP	€890	€862
PN	€978	€948
URB	€1,022	€992
SSB/SSF	€1,068	€1,034
URM	€1,112	€1,078
MBC	€1,156	€1,120
CNB/CTB/ABM	€1,200	€1,164



LANDMARK PURE

BASIN and BIDET



V7K09LF-LH
V7K10LF-LH



V7K19LF-LH



V7K31LF-LH

KITCHEN



V7K33LF
WRAS approval pending.



V7K09LF-RH
V7K10LF-RH



V7K19LF-RH



V7K31LF-RH

KITCHEN



V7K32LF
WRAS approval pending.



V7K13-1LF



V7K13-2LF



V7K13-3LF



V7K14



V7K15



V7K16



V7K14



V7K15



V7K16



Slim spout options are available for Landmark Pure basin taps, see individual product pages.

LANDMARK PURE

BASIN



V7K20-1LF-LH
Also available V7K20-1LF-RH right handed
Also available without plate



V7K20-2LF-LH
Also available V7K20-2LF-RH right handed
Also available without plate



V7K20-3LF-LH
Also available V7K20-3LF-RH right handed
Also available without plate



V7K17-1



V7K17-2



V7K17-3



BATH



V7K37LF



V7K38-1LF



V7K38-2LF



V7K39-1LF



V7K39-2LF



V7K36LF



V7K48-1



V7K48-2



LANDMARK PURE

BATH



V7K35-1LF-LH
Also available V7K35-1LF-RH right handed
Also available without plate



V7K35-2LF-LH
Also available V7K35-2LF-RH right handed
Also available without plate



V7K43-1LF
Also available without plate



V7K43-2LF
Also available without plate



V7K44-1



V7K44-2



V7K47-1



V7K47-2



V7K41LF



V145



WC



V171
V172



V777

Landmark - Pure is available to approved, displaying dealers only.
Includes brassware for low pressure gravity fed systems and water saving measures.
For accessories see page 360 -361.

LANDMARK PURE

SHOWER



V700



V707



Rough only



V701

V711



V701 Rough only



V702

V703



V702 Rough only



Rough only



V705



Rough only



V7K6



Thermostatic valve only



V7B1



Rough only



V7B2



Rough only



LANDMARK PURE Basin - Slim spout

V7K09SLF-LH Basin mixer Ø 24mm slim spout, with PUW
 V7K10SLF-LH Basin mixer Ø 24mm slim spout, no PUW



FITTING / APPROVALS

Feeds: 1/2"
 Max deck thickness: 38mm
 Max drill hole: Ø 41mm



FLOW RATES

0.1 bar	2.2 l/min (special order)
0.5 bar	1.7 l/min standard
1.0 bar	5.2 l/min (special order)
2.5 bar	2.5 l/min standard
3.0 bar	4.0 l/min standard

Flow can be limited
 eg. for BREEAM



FINISH

	With PUW	No PUW
CP	€1,456	€1,956
PN	€1,594	€1,884
URB	€1,676	€1,594
SSB/SSF	€1,736	€1,736
URM	€1,816	€1,664
MBC	€1,896	€1,956
CNB/CTB/ABM	€1,964	€1,448

V7K09SLF-RH Basin mixer Ø 24mm slim spout, with PUW
 V7K10SLF-RH Basin mixer Ø 24mm slim spout, no PUW



FITTING / APPROVALS

Feeds: 1/2"
 Max deck thickness: 38mm
 Max drill hole: Ø 41mm



FLOW RATES

0.1 bar	2.2 l/min (special order)
0.5 bar	1.7 l/min standard
1.0 bar	5.2 l/min (special order)
2.5 bar	2.5 l/min standard
3.0 bar	4.0 l/min standard

Flow can be limited
 eg. for BREEAM



FINISH

	With PUW	No PUW
CP	€1,456	€1,956
PN	€1,594	€1,884
URB	€1,676	€1,594
SSB/SSF	€1,736	€1,736
URM	€1,816	€1,664
MBC	€1,896	€1,956
CNB/CTB/ABM	€1,964	€1,448



CP
 Chrome
 plate



PN
 Polished
 nickel



URB
 Urban
 brass



SSB
 Stainless steel
 with matt black
 chrome



SSF
 Stainless steel
 finish



URM
 Urban brass
 matt lacquered



MBC
 Matt black
 chrome



CNB
 Country
 bronze



CTB
 City bronze



ABM
 Antique
 brass matt
 lacquered

LANDMARK PURE Basin - Standard spout

V7K09LF-LH Basin mixer Ø 28mm spout, with PUW
 V7K10LF-LH Basin mixer Ø 28mm spout, no PUW



FITTING / APPROVALS

Feeds: 1/2"
 Max deck thickness: 38mm
 Max drill hole: Ø 41mm



FLOW RATES

0.1 bar	2.2 l/min (special order)
0.5 bar	1.7 l/min standard
1.0 bar	5.2 l/min (special order)
2.5 bar	2.5 l/min standard
3.0 bar	4.0 l/min standard

Flow can be limited
 eg. for BREEAM



FINISH

	With PUW	No PUW
CP	€1,456	€1,308
PN	€1,594	€1,448
URB	€1,676	€1,516
SSB/SSF	€1,736	€1,574
URM	€1,816	€1,644
MBC	€1,896	€1,702
CNB/CTB/ABM	€1,964	€1,770

V7K09LF-RH Basin mixer Ø 28mm spout, with PUW
 V7K10LF-RH Basin mixer Ø 28mm spout, no PUW



FITTING / APPROVALS

Feeds: 1/2"
 Max deck thickness: 38mm
 Max drill hole: Ø 41mm



FLOW RATES

0.1 bar	2.2 l/min (special order)
0.5 bar	1.7 l/min standard
1.0 bar	5.2 l/min (special order)
2.5 bar	2.5 l/min standard
3.0 bar	4.0 l/min standard

Flow can be limited
 eg. for BREEAM



FINISH

	With PUW	No PUW
CP	€1,456	€1,308
PN	€1,594	€1,448
URB	€1,676	€1,516
SSB/SSF	€1,736	€1,574
URM	€1,816	€1,644
MBC	€1,896	€1,702
CNB/CTB/ABM	€1,964	€1,770



CP
 Chrome plate



PN
 Polished nickel



URB
 Urban brass



SSB
 Stainless steel with matt black chrome



SSF
 Stainless steel finish



URM
 Urban brass matt lacquered



MBC
 Matt black chrome



CNB
 Country bronze



CTB
 City bronze



ABM
 Antique brass matt lacquered

LANDMARK PURE Basin - Slim spout

V7K31SLF-LH Tall basin mixer
 Ø 24mm slim spout, no PUW



FITTING / APPROVALS

Feeds: 1/2"
 Max deck thickness: 35mm
 Max drill hole: Ø 40mm

FLOW RATES

0.1 bar	2.2 l/min (special order)
0.5 bar	1.7 l/min standard
	5.2 l/min (special order)
1.0 bar	2.5 l/min standard
3.0 bar	4.0 l/min standard

Flow can be limited
 eg. for BREEAM



FINISH

FINISH	PRICE
CP	€1,632
PN	€1,798
URB	€1,882
SSB/SSF	€1,954
URM	€2,050
MBC	€2,134
CNB/CTB/ABM	€2,208

V7K31SLF-RH Tall basin mixer
 Ø 24mm slim spout, no PUW



FITTING / APPROVALS

Feeds: 1/2"
 Max deck thickness: 35mm
 Max drill hole: Ø 40mm

FLOW RATES

0.1 bar	2.2 l/min (special order)
0.5 bar	1.7 l/min standard
	5.2 l/min (special order)
1.0 bar	2.5 l/min standard
3.0 bar	4.0 l/min standard

Flow can be limited
 eg. for BREEAM



FINISH

FINISH	PRICE
CP	€1,632
PN	€1,798
URB	€1,882
SSB/SSF	€1,954
URM	€2,050
MBC	€2,134
CNB/CTB/ABM	€2,208



CP
 Chrome
 plate



PN
 Polished
 nickel



URB
 Urban
 brass



SSB
 Stainless steel
 with matt black
 chrome



SSF
 Stainless steel
 finish



URM
 Urban brass
 matt lacquered



MBC
 Matt black
 chrome



CNB
 Country
 bronze



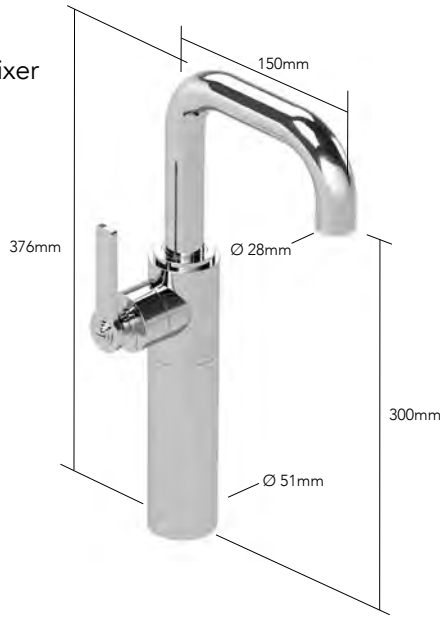
CTB
 City bronze



ABM
 Antique
 brass matt
 lacquered

LANDMARK PURE Basin - Standard spout

V7K31LF-LH Tall basin mixer
 Ø 28mm spout, no PUW



FITTING / APPROVALS

Feeds: 1/2"
 Max deck thickness: 35mm
 Max drill hole: Ø 40mm

FLOW RATES

0.1 bar	2.2 l/min (special order)
0.5 bar	1.7 l/min standard
	5.2 l/min (special order)
1.0 bar	2.5 l/min standard
3.0 bar	4.0 l/min standard

Flow can be limited
 eg. for BREEAM



FINISH

CP	€1,632
PN	€1,798
URB	€1,882
SSB/SSF	€1,954
URM	€2,050
MBC	€2,134
CNB/CTB/ABM	€2,208

PRICE

V7K31LF-RH Tall basin mixer
 Ø 28mm spout, no PUW



FITTING / APPROVALS

Feeds: 1/2"
 Max deck thickness: 35mm
 Max drill hole: Ø 40mm

FLOW RATES

0.1 bar	2.2 l/min (special order)
0.5 bar	1.7 l/min standard
	5.2 l/min (special order)
1.0 bar	2.5 l/min standard
3.0 bar	4.0 l/min standard

Flow can be limited
 eg. for BREEAM



FINISH

CP	€1,632
PN	€1,798
URB	€1,882
SSB/SSF	€1,954
URM	€2,050
MBC	€2,134
CNB/CTB/ABM	€2,208

PRICE



CP
 Chrome plate

PN
 Polished nickel

URB
 Urban brass

SSB
 Stainless steel with matt black chrome

SSF
 Stainless steel finish

URM
 Urban brass matt lacquered

MBC
 Matt black chrome

CNB
 Country bronze

CTB
 City bronze

ABM
 Antique brass matt lacquered

LANDMARK PURE Bidet

V7K19LF-LH Single lever bidet mixer with pop-up waste (Left handed)



FITTING / APPROVALS

Feeds: 1/2"
 Max deck thickness: 38mm
 Max drill hole: Ø 41mm

FLOW RATES

0.5 bar	4.2 l/min
1.0 bar	6.2 l/min standard
3.0 bar	11.8 l/min standard

Flow can be limited
 eg. for BREEAM



FINISH

CP	€1,526
PN	€1,668
URB	€1,752
SSB/SSF	€1,814
URM	€1,908
MBC	€1,980
CNB/CTB/ABM	€2,050

PRICE

V7K19LF-RH Single lever bidet mixer with pop-up waste (Right handed)



FITTING / APPROVALS

Feeds: 1/2"
 Max deck thickness: 38mm
 Max drill hole: Ø 41mm

FLOW RATES

0.5 bar	4.2 l/min
1.0 bar	6.2 l/min standard
3.0 bar	11.8 l/min standard

Flow can be limited
 eg. for BREEAM



FINISH

CP	€1,526
PN	€1,668
URB	€1,752
SSB/SSF	€1,814
URM	€1,908
MBC	€1,980
CNB/CTB/ABM	€2,050

PRICE



LANDMARK PURE Kitchen

V7K33LF Single lever kitchen mixer with hand spray
N7200 Deck mounted soap dispenser



N7200

FITTING / APPROVALS

Feeds: 1/2"
Max deck thickness: 40mm
Max drill hole: Ø 41mm

WRAS approval pending

FLOW RATES

0.5 bar 2.0 l/min tap
0.5 bar 2.5 l/min hand spray
3.0 bar 3.9 l/min tap
3.0 bar 6.3 l/min hand spray



FINISH

	V7K33LF	N7200
CP	€2,562	€190
PN	€2,822	€208
URB	€2,946	€216
SSB/SSF	€2,984	€218
URM	€3,206	€232
MBC	€3,332	€246
CNB/CTB/ABM	€3,458	€258

V7K32LF Single lever kitchen mixer
N7200 Deck mounted soap dispenser



N7200

FITTING / APPROVALS

Feeds: 1/2"
Max deck thickness: 40mm
Max drill hole: Ø 41mm

WRAS approval pending

FLOW RATES

0.5 bar 2.0 l/min
3.0 bar 3.9 l/min



FINISH

	V7K32LF	N7200
CP	€1,888	€190
PN	€2,078	€208
URB	€2,172	€216
SSB/SSF	€2,266	€218
URM	€2,360	€232
MBC	€2,456	€246
CNB/CTB/ABM	€2,548	€258



CP
Chrome plate



PN
Polished nickel



URB
Urban brass



SSB
Stainless steel with matt black chrome



SSF
Stainless steel finish



URM
Urban brass matt lacquered



MBC
Matt black chrome



CNB
Country bronze



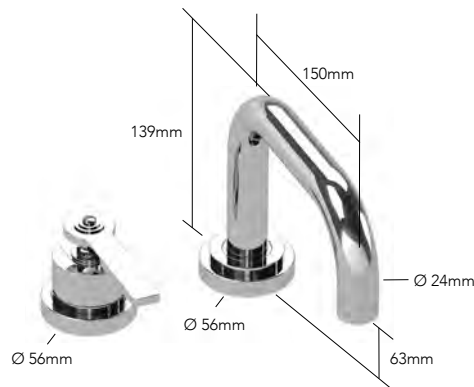
CTB
City bronze



ABM
Antique brass matt lacquered

LANDMARK PURE Basin - Slim spout

V7K13S-1LF 2 hole basin mixer, Ø 24mm slim spout, no PUW, low spout



FITTING / APPROVALS

Feeds: 1/2"
 Max deck thickness: 40mm
 Max drill hole: Ø 48mm - side valve
 Max drill hole: Ø 46mm - spout

FLOW RATES

0.5 bar	1.7 l/min
1.0 bar	2.5 l/min
3.0 bar	4.0 l/min

Flow can be limited
 eg. for BREEAM



FINISH

FINISH	PRICE
CP	€1,830
PN	€1,710
URB	€1,790
SSB/SSF	€1,848
URM	€1,942
MBC	€2,012
CNB/CTB/ABM	€2,092

V7K13S-2LF 2 hole basin mixer, Ø 24mm slim spout, no PUW, medium spout



FITTING / APPROVALS

Feeds: 1/2"
 Max deck thickness: 40mm
 Max drill hole: Ø 48mm - side valve
 Max drill hole: Ø 46mm - spout

FLOW RATES

0.5 bar	1.7 l/min
1.0 bar	2.5 l/min
3.0 bar	4.0 l/min

Flow can be limited
 eg. for BREEAM



FINISH

FINISH	PRICE
CP	€1,620
PN	€1,782
URB	€1,862
SSB/SSF	€1,936
URM	€2,026
MBC	€2,094
CNB/CTB/ABM	€2,180



CP
Chrome
plate



PN
Polished
nickel



URB
Urban
brass



SSB
Stainless steel
with matt black
chrome



SSF
Stainless steel
finish



URM
Urban brass
matt lacquered



MBC
Matt black
chrome



CNB
Country
bronze



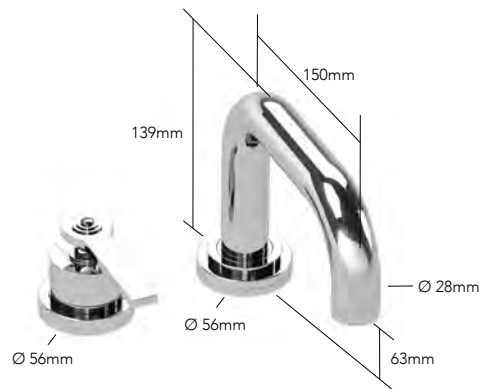
CTB
City bronze



ABM
Antique
brass matt
lacquered

LANDMARK PURE Basin - Standard spout

V7K13-1LF 2 hole basin mixer, Ø 28mm spout, with PUW, low spout



FITTING / APPROVALS

Feeds: 1/2"
 Max deck thickness: 40mm
 Max drill hole: Ø 48mm - side valve
 Max drill hole: Ø 46mm - spout



FLOW RATES

0.5 bar	1.7 l/min
1.0 bar	2.5 l/min
3.0 bar	4.0 l/min

Flow can be limited
 eg. for BREEAM



FINISH

FINISH	PRICE
CP	€1,874
PN	€1,752
URB	€1,836
SSB/SSF	€1,896
URM	€1,990
MBC	€2,064
CNB/CTB/ABM	€2,146

V7K13-2LF 2 hole basin mixer, Ø 28mm spout, with PUW, medium spout



FITTING / APPROVALS

Feeds: 1/2"
 Max deck thickness: 40mm
 Max drill hole: Ø 48mm - side valve
 Max drill hole: Ø 46mm - spout



FLOW RATES

0.5 bar	1.7 l/min
1.0 bar	2.5 l/min
3.0 bar	4.0 l/min

Flow can be limited
 eg. for BREEAM



FINISH

FINISH	PRICE
CP	€1,658
PN	€1,824
URB	€1,908
SSB/SSF	€1,982
URM	€2,074
MBC	€2,146
CNB/CTB/ABM	€2,232



CP
 Chrome plate



PN
 Polished nickel



URB
 Urban brass



SSB
 Stainless steel with matt black chrome



SSF
 Stainless steel finish



URM
 Urban brass matt lacquered



MBC
 Matt black chrome



CNB
 Country bronze



CTB
 City bronze



ABM
 Antique brass matt lacquered

LANDMARK PURE Basin - Slim spout

V7K13S-3LF 2 hole basin mixer, Ø 24mm slim spout, no PUW, high spout



FITTING / APPROVALS

Feeds: 1/2"
 Max deck thickness: 40mm
 Max drill hole: Ø 48mm - side valve
 Max drill hole: Ø 46mm - spout

FLOW RATES

0.5 bar	1.7 l/min
1.0 bar	2.5 l/min
3.0 bar	4.0 l/min

Flow can be limited
 eg. for BREEAM



FINISH

FINISH	PRICE
CP	€1,674
PN	€1,840
URB	€1,938
SSB/SSF	€2,004
URM	€2,096
MBC	€2,178
CNB/CTB/ABM	€2,262



CP
Chrome
plate



PN
Polished
nickel



URB
Urban
brass



SSB
Stainless steel
with matt black
chrome



SSF
Stainless steel
finish



URM
Urban brass
matt lacquered



MBC
Matt black
chrome



CNB
Country
bronze



CTB
City bronze



ABM
Antique
brass matt
lacquered

LANDMARK PURE Basin - Standard spout

V7K13-3LF 2 hole basin mixer, Ø 28mm spout, with PUW, high spout



FITTING / APPROVALS

Feeds: 1/2"
 Max deck thickness: 40mm
 Max drill hole: Ø 48mm - side valve
 Max drill hole: Ø 46mm - spout



FLOW RATES

0.5 bar	1.7 l/min
1.0 bar	2.5 l/min
3.0 bar	4.0 l/min

Flow can be limited
 eg. for BREEAM



FINISH

CP	€1,714
PN	€1,882
URB	€1,980
SSB/SSF	€2,050
URM	€2,148
MBC	€2,230
CNB/CTB/ABM	€2,314

PRICE



CP
Chrome
plate

PN
Polished
nickel

URB
Urban
brass

SSB
Stainless steel
with matt black
chrome

SSF
Stainless steel
finish

URM
Urban brass
matt lacquered

MBC
Matt black
chrome

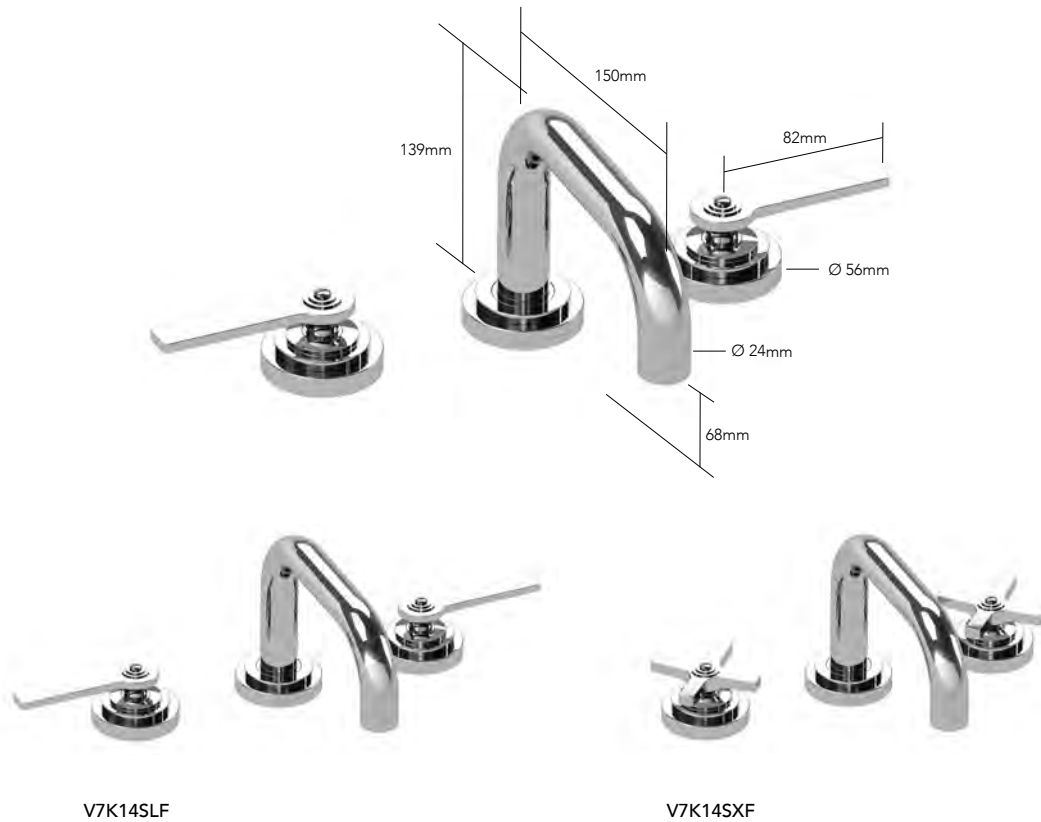
CNB
Country
bronze

CTB
City bronze

ABM
Antique
brass matt
lacquered

LANDMARK PURE Basin - Slim spout

V7K14S 3 hole basin mixer without PUW, Ø24mm slim spout, low height



FITTING / APPROVALS

Feeds: 1/2"
 Max deck thickness: 40mm
 Max drill hole: Ø 40mm - side valve
 Max drill hole: Ø 46mm - spout



FLOW RATES

0.1 bar	2.6 l/min (special order)
0.5 bar	1.8 l/min standard
	6.4 l/min (special order)
1.0 bar	2.5 l/min standard
3.0 bar	4.0 l/min standard

Flow can be limited
 eg. for BREEAM



FINISH

CP	€1,712
PN	€1,866
URB	€1,956
SSB/SSF	€2,028
URM	€2,118
MBC	€2,208
CNB/CTB/ABM	€2,288

Slim spout versions always come without a pop-up waste.



CP
 Chrome
 plate

PN
 Polished
 nickel

URB
 Urban
 brass

SSB
 Stainless steel
 with matt black
 chrome

SSF
 Stainless steel
 finish

URM
 Urban brass
 matt lacquered

MBC
 Matt black
 chrome

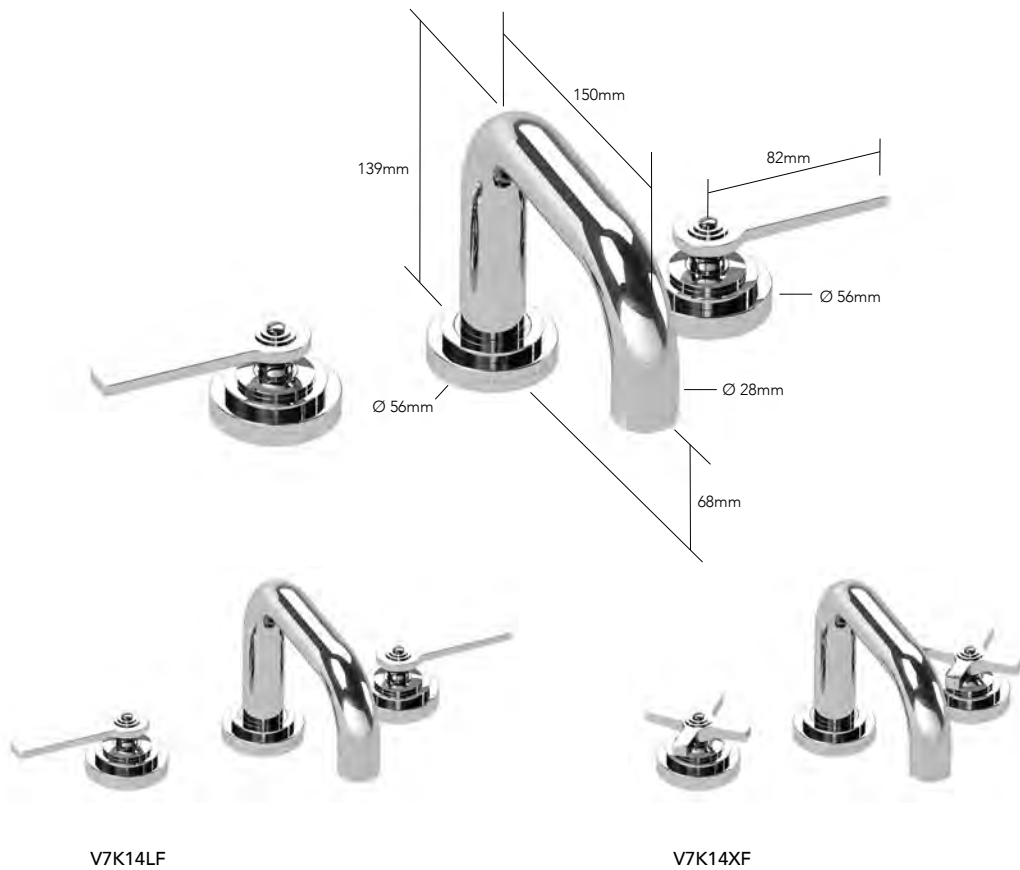
CNB
 Country
 bronze

CTB
 City bronze

ABM
 Antique
 brass matt
 lacquered

LANDMARK PURE Basin - Standard spout

V7K14 3 hole basin mixer with or without PUW, Ø28mm spout, low height



V7K14LF

V7K14XF

FITTING / APPROVALS

Feeds: 1/2"

Max deck thickness: 40mm

Max drill hole: Ø 40mm - side valve

Max drill hole: Ø 46mm - spout



FLOW RATES

0.1 bar	2.6 l/min (special order)
0.5 bar	1.8 l/min standard
	6.4 l/min (special order)
1.0 bar	2.5 l/min standard
3.0 bar	4.0 l/min standard

Flow can be limited eg. for BREEAM



FINISH

	With PUW	No PUW
CP	€1,712	€1,558
PN	€1,866	€1,716
URB	€1,956	€1,798
SSB/SSF	€2,028	€1,856
URM	€2,118	€1,946
MBC	€2,208	€2,026
CNB/CTB/ABM	€2,288	€2,094

To order without a pop-up waste add NP to the code (e.g. V7K14LFNP).



CP
Chrome
plate



PN
Polished
nickel



URB
Urban
brass



SSB
Stainless steel
with matt black
chrome



SSF
Stainless steel
finish



URM
Urban brass
matt lacquered



MBC
Matt black
chrome



CNB
Country
bronze



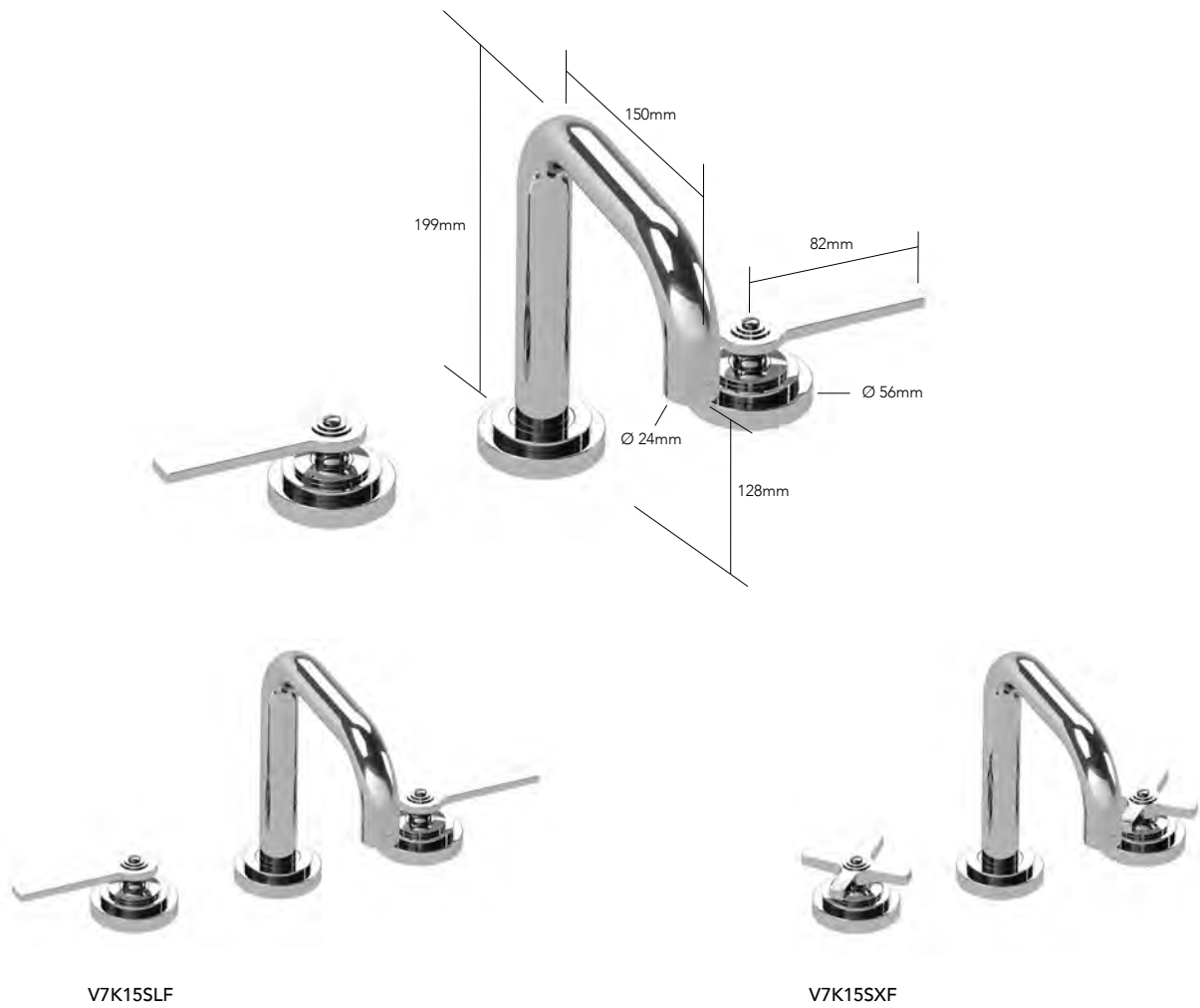
CTB
City bronze



ABM
Antique
brass matt
lacquered

LANDMARK PURE Basin - Slim spout

V7K15S 3 hole basin mixer without PUW, Ø24mm slim spout, medium height



FITTING / APPROVALS

Feeds: 1/2"
 Max deck thickness: 40mm
 Max drill hole: Ø 40mm - side valve
 Max drill hole: Ø 46mm - spout



FLOW RATES

0.1 bar	2.6 l/min (special order)
0.5 bar	1.8 l/min standard
	6.4 l/min (special order)
1.0 bar	2.5 l/min standard
3.0 bar	4.0 l/min standard

Flow can be limited
 eg. for BREEAM



FINISH

CP	€1,762
PN	€1,938
URB	€2,028
SSB/SSF	€2,094
URM	€2,200
MBC	€2,288
CNB/CTB/ABM	€2,370

Slim spout versions always come without a pop-up waste.



CP
 Chrome
 plate

PN
 Polished
 nickel

URB
 Urban
 brass

SSB
 Stainless steel
 with matt black
 chrome

SSF
 Stainless steel
 finish

URM
 Urban brass
 matt lacquered

MBC
 Matt black
 chrome

CNB
 Country
 bronze

CTB
 City bronze

ABM
 Antique
 brass matt
 lacquered

LANDMARK PURE Basin - Standard spout

V7K15 3 hole basin mixer with or without PUW, Ø28mm spout, medium height



V7K15LF



V7K15XF

FITTING / APPROVALS

Feeds: 1/2"

Max deck thickness: 40mm

Max drill hole: Ø 40mm - side valve

Max drill hole: Ø 46mm - spout



FLOW RATES

0.1 bar	2.6 l/min (special order)
0.5 bar	1.8 l/min standard
	6.4 l/min (special order)
1.0 bar	2.5 l/min standard
3.0 bar	4.0 l/min standard

Flow can be limited eg. for BREEAM



FINISH

	With PUW	No PUW
CP	€1,762	€1,704
PN	€1,938	€1,872
URB	€2,028	€1,956
SSB/SSF	€2,094	€2,042
URM	€2,200	€2,042
MBC	€2,288	€2,212
CNB/CTB/ABM	€2,370	€2,296

To order the Ø28mm spout without a pop-up waste add NP to the code (e.g. V7K15LFNP).



CP
Chrome
plate



PN
Polished
nickel



URB
Urban
brass



SSB
Stainless steel
with matt black
chrome



SSF
Stainless steel
finish



URM
Urban brass
matt lacquered



MBC
Matt black
chrome



CNB
Country
bronze



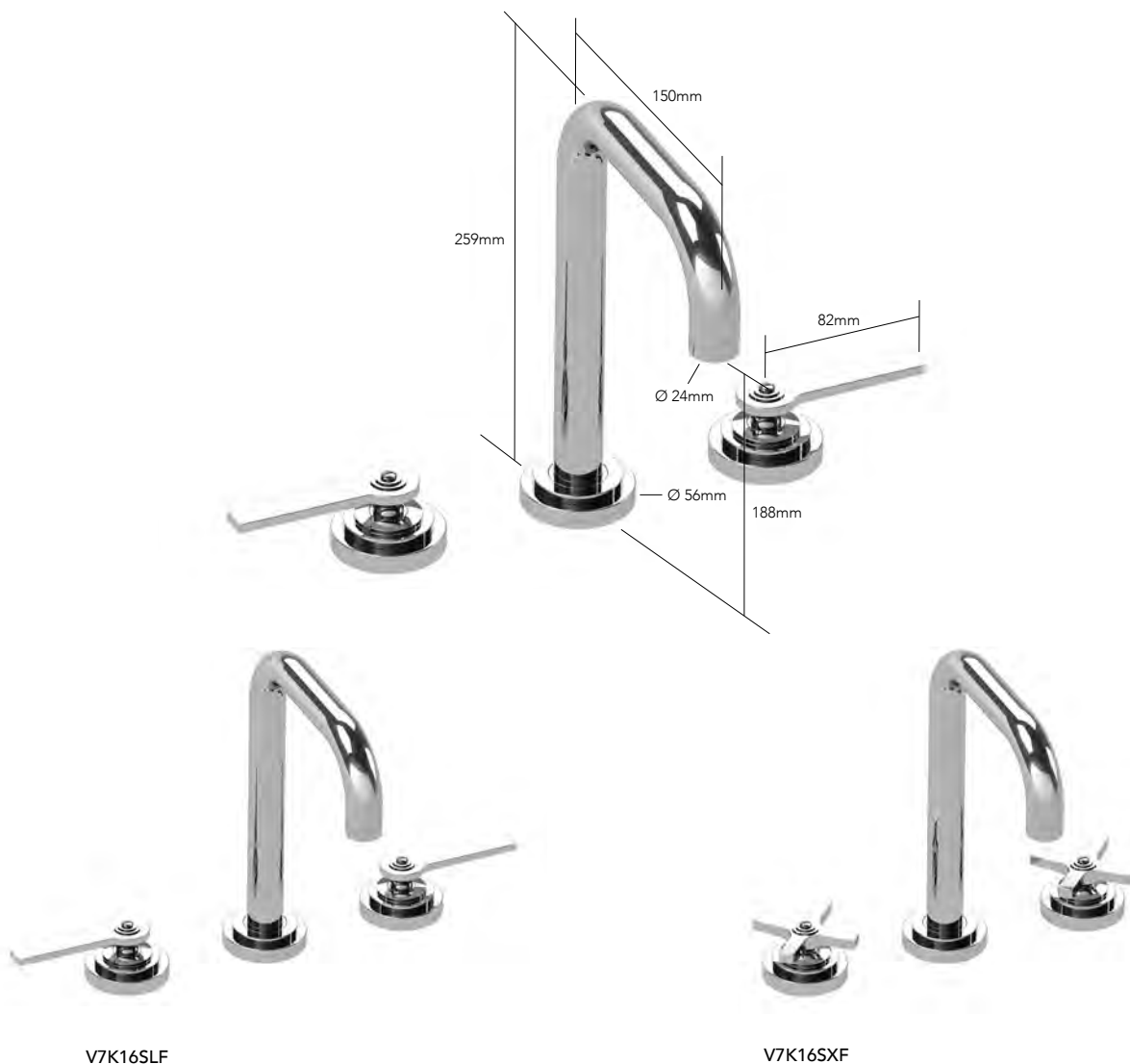
CTB
City bronze



ABM
Antique
brass matt
lacquered

LANDMARK PURE Basin - Slim spout

V7K16S 3 hole basin mixer without PUW, Ø24mm slim spout, high height



FITTING / APPROVALS

Feeds: 1/2"
 Max deck thickness: 40mm
 Max drill hole: Ø 40mm - side valve
 Max drill hole: Ø 46mm - spout



FLOW RATES

0.1 bar	2.6 l/min (special order)
0.5 bar	1.8 l/min standard
	6.4 l/min (special order)
1.0 bar	2.5 l/min standard
3.0 bar	4.0 l/min standard

Flow can be limited
 eg. for BREEAM



FINISH

CP	€1,820
PN	€2,002
URB	€2,094
SSB/SSF	€2,174
URM	€2,278
MBC	€2,370
CNB/CTB/ABM	€2,462

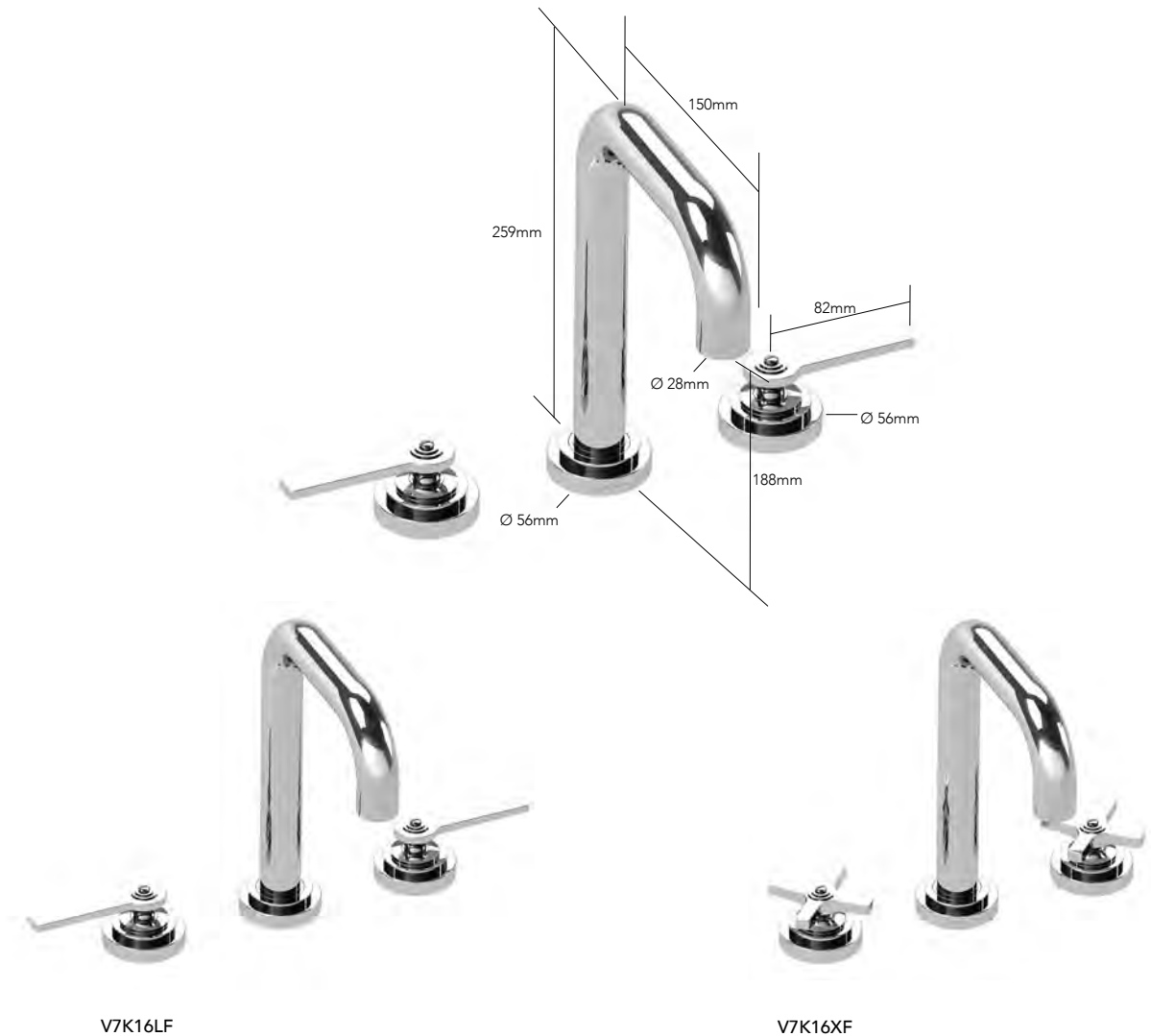
Slim spout versions always come without a pop-up waste.



CP Chrome plate	PN Polished nickel	URB Urban brass	SSB Stainless steel with matt black chrome	SSF Stainless steel finish	URM Urban brass matt lacquered	MBC Matt black chrome	CNB Country bronze	CTB City bronze	ABM Antique brass matt lacquered
--------------------	-----------------------	--------------------	---	-------------------------------	-----------------------------------	--------------------------	-----------------------	--------------------	-------------------------------------

LANDMARK PURE Basin - Standard spout

V7K16 3 hole basin mixer with or without PUW, Ø28mm spout, high height



V7K16LF

V7K16XF

FITTING / APPROVALS

Feeds: 1/2"
 Max deck thickness: 40mm
 Max drill hole: Ø 40mm - side valve
 Max drill hole: Ø 46mm - spout



FLOW RATES

0.1 bar	2.6 l/min (special order)
0.5 bar	1.8 l/min standard
	6.4 l/min (special order)
1.0 bar	2.5 l/min standard
3.0 bar	4.0 l/min standard

Flow can be limited eg. for BREEAM



FINISH

	With PUW	No PUW
CP	€1,820	€1,672
PN	€2,002	€1,840
URB	€2,094	€1,920
SSB/SSF	€2,174	€1,990
URM	€2,278	€2,084
MBC	€2,370	€2,174
CNB/CTB/ABM	€2,462	€2,252

To order the Ø28mm spout without a pop-up waste add NP to the code (e.g. V7K16LFNP).



LANDMARK PURE Basin - Slim spout

V7K20S-1LF, -2LF or -3LF Wall mounted basin mixer trim set, Ø 24mm slim spout, with plate

For left handed version put -LH at end of code

For right handed version put -RH at end of code

All require V720V2-LH-IS or V720V2-RH-IS installation kit.



FITTING / APPROVALS

All require V720V2-LH-IS or V720V2-RH-IS installation kit.

WRAS approval pending

FLOW RATES

0.1 bar	2.5 l/min (special order)
0.5 bar	3.0 l/min standard
	6.5 l/min (special order)
1.0 bar	4.2 l/min standard
3.0 bar	4.5 l/min standard

Flow can be limited eg. for BREEAM



FINISH

	V7K20S-1	V7K20S-2	V7K20S-3
CP	€1,596	€1,596	€1,596
PN	€1,752	€1,762	€1,764
URB	€1,834	€1,836	€1,848
SSB/SSF	€1,908	€1,908	€1,918
URM	€1,990	€2,002	€2,002
MBC	€2,062	€2,074	€2,086
CNB/CTB/ABM	€2,146	€2,156	€2,158

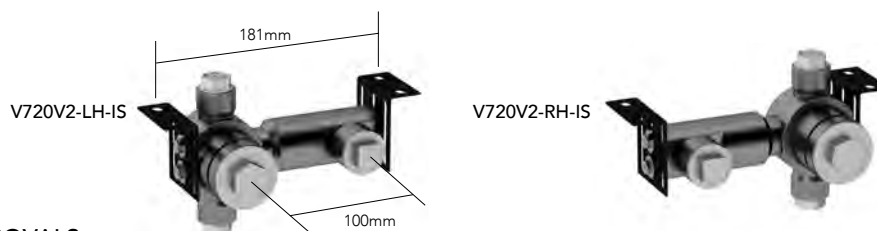


Available also without wall plate. If required without wall plate please add -NP to the end of the product code.

FINISH

	-1-NP	-2-NP	-3-NP
CP	€1,456	€1,454	€1,454
PN	€1,600	€1,596	€1,612
URB	€1,670	€1,680	€1,680
SSB/SSF	€1,730	€1,742	€1,740
URM	€1,812	€1,824	€1,824
MBC	€1,884	€1,896	€1,898
CNB/CTB/ABM	€1,956	€1,968	€1,968

V720V2-LH-IS Left handed rough - only for use with Landmark
V720V2-RH-IS Right handed rough - only for use with Landmark



FITTING / APPROVALS

Feeds: 1/2"

Fitting depth: Min 73mm - Max 84mm from finished tiled surface to rear of fixing.

Fixing brackets can be rotated 90 degrees.



V720V2-LH-IS-XX
V720V2-RH-IS-XX

€482
€482



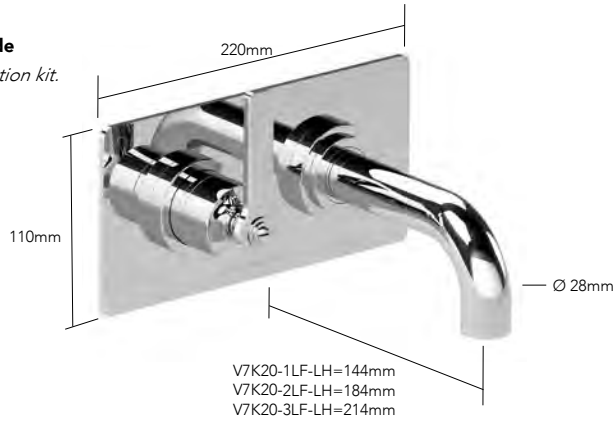
LANDMARK PURE Basin - Standard spout

V7K20-1LF, -2LF or -3LF Wall mounted basin mixer trim set, Ø 28mm spout, with plate

For left handed version put -LH at end of code

For right handed version put -RH at end of code

All require V720V2-LH-IS or V720V2-RH-IS installation kit.



FITTING / APPROVALS

All require V720V2-LH-IS or V720V2-RH-IS installation kit.



FLOW RATES

0.1 bar	2.5 l/min (special order)
0.5 bar	3.0 l/min standard
	6.5 l/min (special order)
1.0 bar	4.2 l/min standard
3.0 bar	4.5 l/min standard

Flow can be limited eg. for BREEAM



FINISH

FINISH	V7K20-1	V7K20-2	V7K20-3
CP	€1,596	€1,596	€1,596
PN	€1,752	€1,762	€1,764
URB	€1,834	€1,836	€1,848
SSB/SSF	€1,908	€1,908	€1,918
URM	€1,990	€2,002	€2,002
MBC	€2,062	€2,074	€2,086
CNB/CTB/ABM	€2,146	€2,156	€2,158

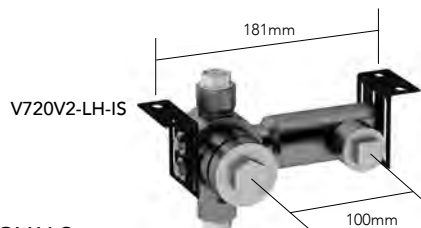


Available also without wall plate. If required without wall plate please add -NP to the end of the product code.

FINISH

FINISH	-1-NP	-2-NP	-3-NP
CP	€1,456	€1,454	€1,454
PN	€1,600	€1,596	€1,612
URB	€1,670	€1,680	€1,680
SSB/SSF	€1,730	€1,742	€1,740
URM	€1,812	€1,824	€1,824
MBC	€1,884	€1,896	€1,898
CNB/CTB/ABM	€1,956	€1,968	€1,968

V720V2-LH-IS Left handed rough - only for use with Landmark
V720V2-RH-IS Right handed rough - only for use with Landmark



FITTING / APPROVALS

Feeds: 1/2"

Fitting depth: Min 73mm - Max 84mm from finished tiled surface to rear of fixing.

Fixing brackets can be rotated 90 degrees.



V720V2-LH-IS-XX	€482
V720V2-RH-IS-XX	€482



CP
Chrome plate



PN
Polished nickel



URB
Urban brass



SSB
Stainless steel with matt black chrome



SSF
Stainless steel finish



URM
Urban brass matt lacquered



MBC
Matt black chrome



CNB
Country bronze



CTB
City bronze



ABM
Antique brass matt lacquered

LANDMARK PURE Basin - Slim spout

V7K17S-1, -2 or -3 Wall mounted basin mixer, trim set, Ø 24mm slim spout, three lengths

requires V718-IS or V818-IS



Example code:
V7K17S-3XF has Pure cross top handles and Ø24mm spout 210mm long.

FITTING / APPROVALS

All require V718-IS or V818-IS installation kit.

WRAS approval pending

FLOW RATES

0.1 bar	2.5 l/min (special order)
0.5 bar	1.7 l/min standard 6.2 l/min (special order)
1.0 bar	2.5 l/min standard
3.0 bar	4.0 l/min standard

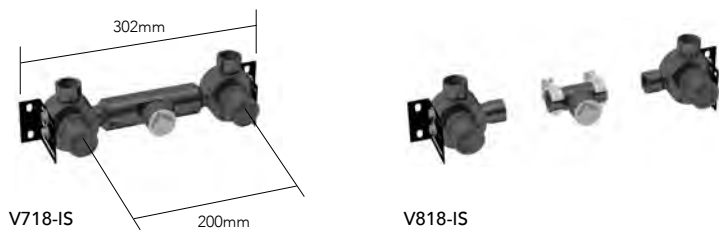
Flow can be limited eg. for BREEAM



FINISH

	V7K17S-1	V7K17S-2	V7K17S-3
CP	€1,572	€1,620	€1,664
PN	€1,726	€1,780	€1,826
URB	€1,804	€1,848	€1,910
SSB/SSF	€1,862	€1,920	€1,980
URM	€1,968	€2,012	€2,082
MBC	€2,038	€2,090	€2,162
CNB/CTB/ABM	€2,118	€2,174	€2,244

V718-IS or V818-IS Roughs - only for use with Landmark



FITTING / APPROVALS

Feeds: 3/4" female with adaptor for 1/2" female
 Fitting depth: Min 76mm

V718-IS-XX	€400
V818-IS-XX	€400



LANDMARK PURE Basin - Standard spout

V7K17-1, -2 or -3 Wall mounted basin mixer, trim set, Ø 28mm spout, three lengths

requires V718-IS or V818-IS



Example code:
V7K17-1LF has Pure lever handles and Ø28mm spout 140mm long.

FITTING / APPROVALS

All require V718-IS or V818-IS installation kit.



FLOW RATES

0.1 bar	2.5 l/min (special order)
0.5 bar	1.7 l/min standard
	6.2 l/min (special order)
1.0 bar	2.5 l/min standard
3.0 bar	4.0 l/min standard

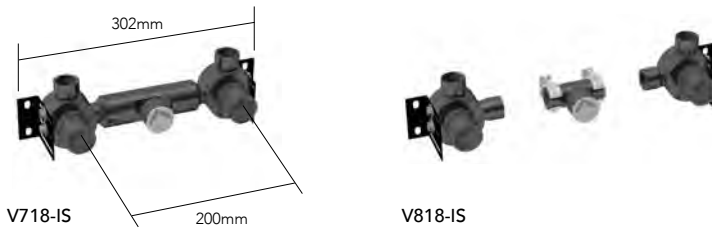
Flow can be limited
 eg. for BREEAM



FINISH

	V7K17-1	V7K17-2	V7K17-3
CP	€1,572	€1,620	€1,664
PN	€1,726	€1,780	€1,826
URB	€1,804	€1,848	€1,910
SSB/SSF	€1,862	€1,920	€1,980
URM	€1,968	€2,012	€2,082
MBC	€2,038	€2,090	€2,162
CNB/CTB/ABM	€2,118	€2,174	€2,244

V718-IS or V818-IS Roughs - only for use with Landmark



FITTING / APPROVALS

Feeds: 3/4" female with adaptor for 1/2" female
 Fitting depth: Min 76mm



V718-IS-XX	€400
V818-IS-XX	€400



CP Chrome plate	PN Polished nickel	URB Urban brass	SSB Stainless steel with matt black chrome	SSF Stainless steel finish	URM Urban brass matt lacquered	MBC Matt black chrome	CNB Country bronze	CTB City bronze	ABM Antique brass matt lacquered
--------------------	-----------------------	--------------------	---	-------------------------------	-----------------------------------	--------------------------	-----------------------	--------------------	-------------------------------------

LANDMARK PURE Basin ancillaries

V193 1 1/4" Basin bottle trap

500mm extension tube available, order V193-500



FINISH	V193	V193-500 tube only
CP	€276	€182
PN	€306	€200
URB	€318	€206
SSF	€318	€206
URM	€370	€234
MBC	€358	€234
CNB/CTB/ABM	€370	€242

V192 1 1/4" Basin click-clack waste, slotted

For free-flow please order V192-FF



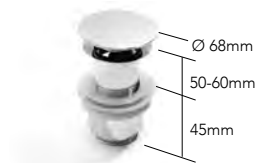
FINISH	PRICE
CP	€96
PN	€146
URB	€146
SSF	€146
URM	€156
MBC	€168
CNB/CTB/ABM	€168

VA60 1 1/4" Basin waste with metal plug, chain and stay



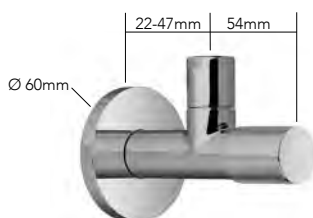
FINISH	PRICE
CP	€132
PN	€144
SSF	€150

V192-UNS 1 1/4" Basin click-clack waste, unslotted



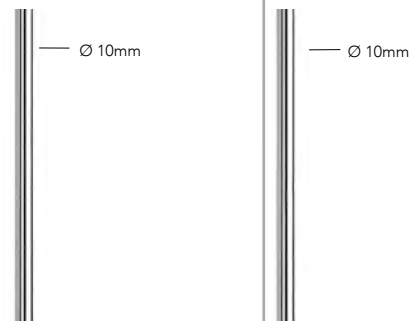
FINISH	PRICE
CP	€96
PN	€146
URB	€146
SSF	€146
URM	€156
MBC	€168
CNB/CTB/ABM	€168

V190 Angle valve



FITTING / APPROVALS	FINISH	PRICE
Feed: 1/2" Outlet: 3/8" or 10mm	CP	€166
	PN	€182
	URB	€286
	SSF	€250
	URM	€286
	MBC	€266
	CNB/CTB/ABM	€286

V986-300 300mm Tube V986-500 500mm Tube



FINISH	PRICE	FINISH	PRICE
CP	€92	CP	€122
PN	€98	PN	€132
URB	€102	URB	€140
SSF	€102	SSF	€140
URM	€110	URM	€150
MBC	€114	MBC	€156
CNB/CTB/ABM	€120	CNB/CTB/ABM	€162

Landmark Pure single lever basin mixer with slim spout in polished nickel



LANDMARK PURE Bath

V7K36LF Floor mounted single lever bath / shower mixer

requires V736-IS



FITTING / APPROVALS

Requires V736-IS floor rough (below)



FLOW RATES

Min. 3.0 bar
3.0 bar 23.2 l/min

FINISH

CP €5,926
PN €6,520
URB €6,818
SSB/SSF €7,102
URM €7,410
MBC €7,706
CNB/CTB/ABM €8,006

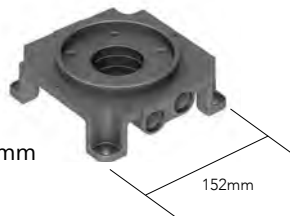
PRICE

V736-IS Floor rough for single lever bath / shower mixer

FITTING / APPROVALS

Feeds: 1/2"

Fitting depth: Min 99.5mm - Max 159.5mm



XX

€1,480



CP
Chrome
plate



PN
Polished
nickel



URB
Urban
brass



SSB
Stainless steel
with matt black
chrome



SSF
Stainless steel
finish



URM
Urban brass
matt lacquered



MBC
Matt black
chrome



CNB
Country
bronze



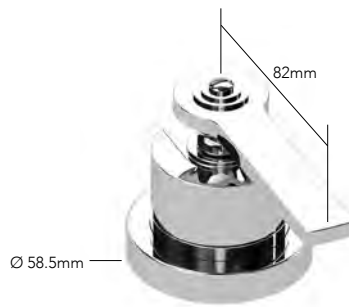
CTB
City bronze



ABM
Antique
brass matt
lacquered

LANDMARK PURE Bath

V7K37LF Deck mounted mixer, single lever control

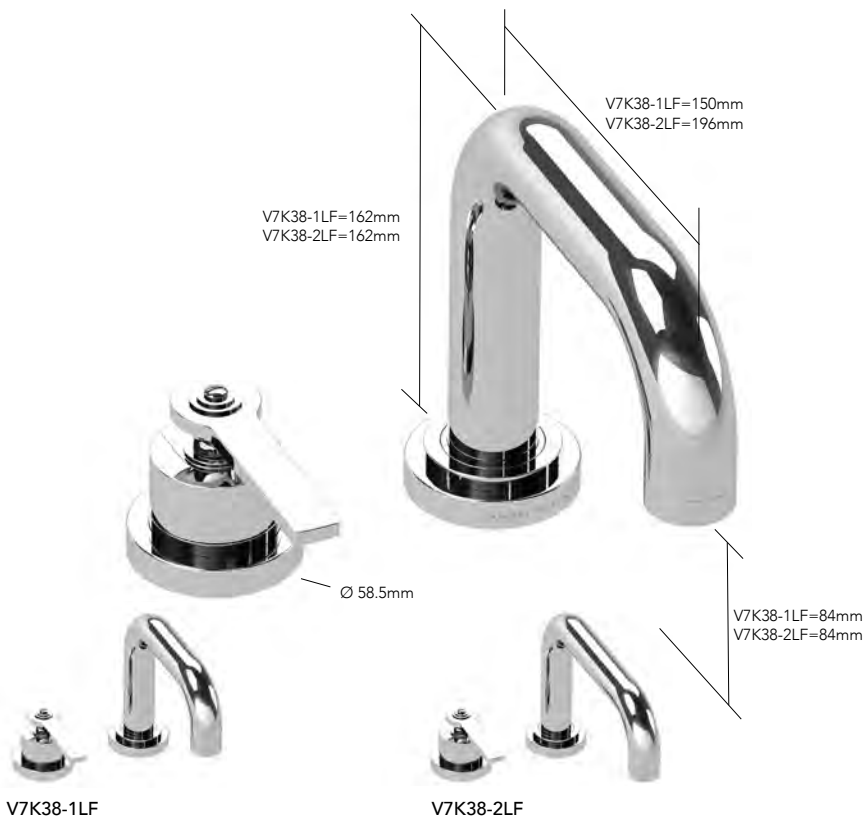


FITTING / APPROVALS

Feeds: 1/2"
 Max deck thickness: 55mm
 Max drill hole: Ø 52mm

FINISH	PRICE
CP	€848
PN	€930
URB	€980
SSB/SSF	€1,018
URM	€1,062
MBC	€1,100
CNB/CTB/ABM	€1,146

V7K38-1LF, V7K38-2LF Deck mounted 2 hole bath filler (2 spout lengths)



FITTING / APPROVALS

Feeds: 1/2"
 Max deck thickness: 50mm
 Max drill hole: Ø 48mm - side valve
 Max drill hole: Ø 48mm - spout

FLOW RATES
 Min. 2.0 bar
 2.0 bar 26.3 l/min

FINISH	V7K38-1LF	V7K38-2LF
CP	€1,968	€1,992
PN	€2,170	€2,180
URB	€2,264	€2,290
SSF	€2,360	€2,384
URM	€2,468	€2,476
MBC	€2,566	€2,586
CNB/CTB/ABM	€2,658	€2,682



- CP
Chrome plate
- PN
Polished nickel
- URB
Urban brass
- SSB
Stainless steel with matt black chrome
- SSF
Stainless steel finish
- URM
Urban brass matt lacquered
- MBC
Matt black chrome
- CNB
Country bronze
- CTB
City bronze
- ABM
Antique brass matt lacquered

V7K39-1LF, V7K39-2LF Deck mounted 3 hole bath filler (2 spout lengths) (divertor at back of spout)



V7K39-1LF



V7K39-2LF

FITTING / APPROVALS

Feeds: 1/2"
 Max deck thickness: 50mm
 Max drill hole: Ø 48mm - side valve
 Max drill hole: Ø 48mm - spout
 Max drill hole: Ø 45mm - handset

FLOW RATES

2.0 bar 26.3 l/min
 3.0 bar 31.0 l/min



FINISH

	V7K39-1LF	V7K39-2LF
CP	€3,242	€3,264
PN	€3,564	€3,586
URB	€3,730	€3,756
SSB/SSF	€3,886	€3,910
URM	€4,052	€4,088
MBC	€4,208	€4,242
CNB/CTB/ABM	€4,372	€4,408



CP
 Chrome
 plate



PN
 Polished
 nickel



URB
 Urban
 brass



SSB
 Stainless steel
 with matt black
 chrome



SSF
 Stainless steel
 finish



URM
 Urban brass
 matt lacquered



MBC
 Matt black
 chrome



CNB
 Country
 bronze



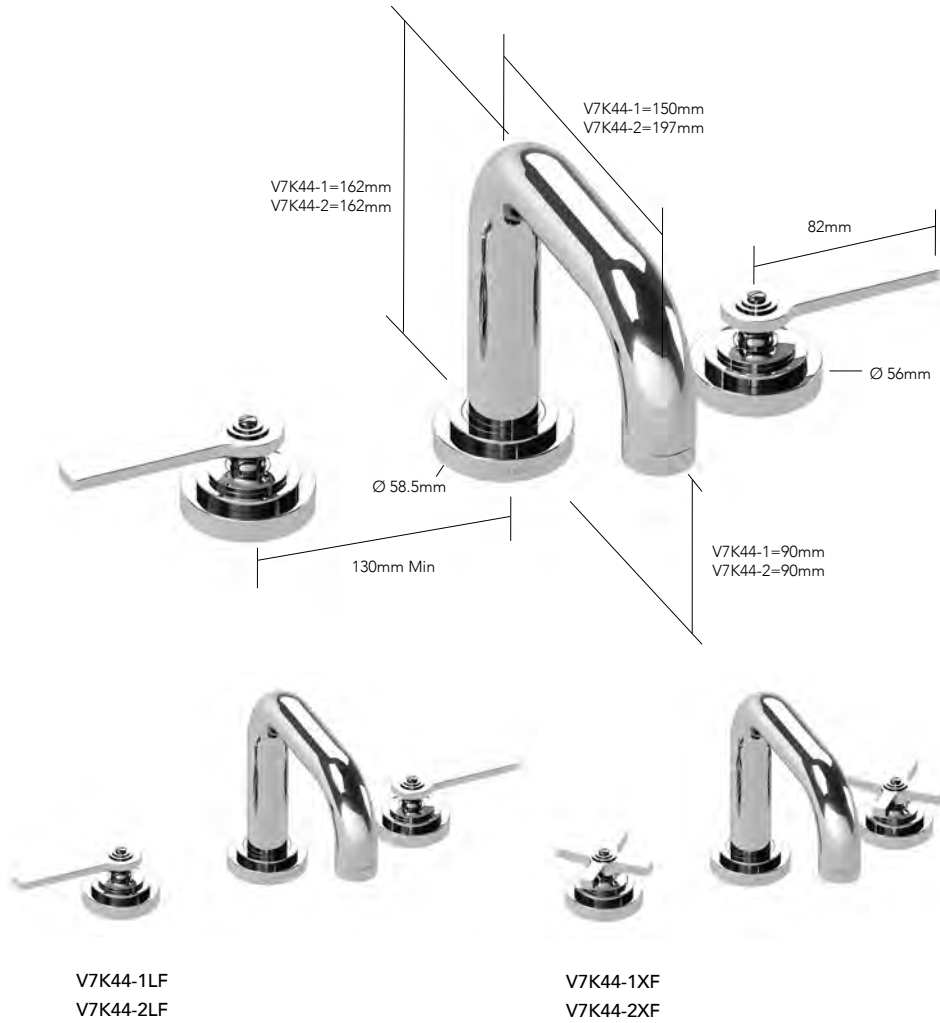
CTB
 City bronze



ABM
 Antique
 brass matt
 lacquered

LANDMARK PURE Bath

V7K44-1, V7K44-2 Deck mounted 3 hole bath filler (2 spout lengths)



FITTING / APPROVALS

Feeds: 1/2"
 Max deck thickness: 50mm
 Max drill hole: Ø 42mm - side valve
 Max drill hole: Ø 48mm - spout



FLOW RATES

1.0 bar 21.0 l/min
 3.0 bar 45.0 l/min



FINISH

	V7K44-1	V7K44-2
CP	€2,290	€2,290
PN	€2,514	€2,530
URB	€2,622	€2,634
SSB/SSF	€2,730	€2,730
URM	€2,860	€2,860
MBC	€2,970	€2,980
CNB/CTB/ABM	€3,088	€3,088



CP
Chrome plate



PN
Polished nickel



URB
Urban brass



SSB
Stainless steel with matt black chrome



SSF
Stainless steel finish



URM
Urban brass matt lacquered



MBC
Matt black chrome



CNB
Country bronze



CTB
City bronze



ABM
Antique brass matt lacquered

LANDMARK PURE Bath

V7K48-1, V7K48-2 Deck mounted 4 hole bath filler (2 spout lengths)



V7K48-1LF
V7K48-2LF



V7K48-1XF
V7K48-2XF

FITTING / APPROVALS

Feeds: 3/4"
Max deck thickness: 50mm
Max drill hole: Ø 42mm - side valve
Max drill hole: Ø 48mm - spout
Max drill hole: Ø 45mm - handset



FLOW RATES

1.0 bar 21.6 l/min
3.0 bar 40.0 l/min



FINISH

	V7K48-1	V7K48-2
CP	€3,456	€3,564
PN	€3,804	€3,910
URB	€3,980	€4,088
SSB/SSF	€4,136	€4,254
URM	€4,324	€4,444
MBC	€4,492	€4,624
CNB/CTB/ABM	€4,674	€4,802



CP
Chrome
plate



PN
Polished
nickel



URB
Urban
brass



SSB
Stainless steel
with matt black
chrome



SSF
Stainless steel
finish



URM
Urban brass
matt lacquered



MBC
Matt black
chrome



CNB
Country
bronze



CTB
City bronze

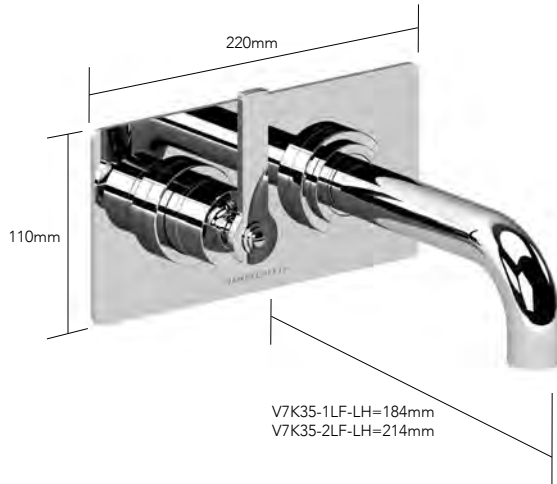


ABM
Antique
brass matt
lacquered

LANDMARK PURE Bath

V7K35-1, V7K35-2 Wall mounted 2 hole bath filler (2 spout lengths) left handed

requires V720V2-LH-IS



FITTING / APPROVALS

Requires V720V2-LH-IS



Also now available without trim plate.
V7K35-1-NP, V7K35-2-NP
 Can be mounted left or right handed
 using **V720V2-LH-IS** or **V720V2-RH-IS**

FLOW RATES

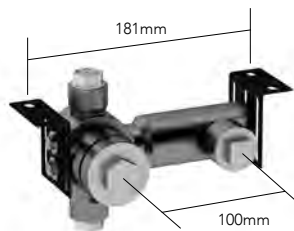
1.0 bar 20.0 l/min
 3.0 bar 35.0 l/min

FINISH

	V7K35-1LF-LH	V7K35-2LF-LH
CP	€1,622	€1,646
PN	€1,776	€1,814
URB	€1,862	€1,896
SSB/SSF	€1,932	€1,966
URM	€2,026	€2,064
MBC	€2,110	€2,134
CNB/CTB/ABM	€2,182	€2,216

	V7K35-1LF-NP	V7K35-2LF-NP
CP	€1,480	€1,504
PN	€1,620	€1,646
URB	€1,694	€1,732
SSB/SSF	€1,762	€1,788
URM	€1,848	€1,872
MBC	€1,918	€1,944
CNB/CTB/ABM	€1,992	€2,016

V720V2-LH-IS Left handed rough - only for use with Landmark



FITTING / APPROVALS

Feeds: 1/2"

Fitting depth: Min 73mm - Max 84mm from finished tiled surface to rear of fixing.

Fixing brackets can be rotated 90 degrees.

V720V2-LH-IS-XX €482



CP
Chrome
plate



PN
Polished
nickel



URB
Urban
brass



SSB
Stainless steel
with matt black
chrome



SSF
Stainless steel
finish



URM
Urban brass
matt lacquered



MBC
Matt black
chrome



CNB
Country
bronze



CTB
City bronze



ABM
Antique
brass matt
lacquered

LANDMARK PURE Bath

V7K35-1, V7K35-2 Wall mounted 2 hole bath filler (2 spout lengths) right handed

requires V720V2-RH-IS



FITTING / APPROVALS

Requires V720V2-RH-IS



Also now available without trim plate. **V7K35-1LF-NP**, **V7K35-2LF-NP**
Can be mounted left or right handed using **V720V2-LH-IS** or **V720V2-RH-IS**

FLOW RATES

1.0 bar 20.0 l/min
3.0 bar 35.0 l/min

FINISH

CP
PN
URB
SSB/SSF
URM
MBC
CNB/CTB/ABM

V7K35-1LF-RH

€1,622
€1,776
€1,862
€1,932
€2,026
€2,110
€2,182

V7K35-2LF-RH

€1,646
€1,814
€1,896
€1,966
€2,064
€2,134
€2,216

V7K35-1LF-NP

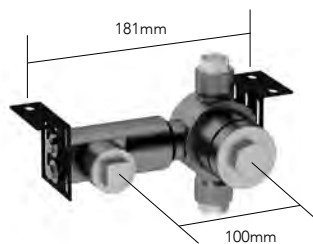
CP
PN
URB
SSB/SSF
URM
MBC
CNB/CTB/ABM

€1,480
€1,620
€1,694
€1,762
€1,848
€1,918
€1,992

V7K35-2LF-NP

€1,504
€1,646
€1,732
€1,788
€1,872
€1,944
€2,016

V720V2-RH-IS Right handed rough - only for use with Landmark



FITTING / APPROVALS

Feeds: 1/2"

Fitting depth: Min 73mm - Max 84mm from finished tiled surface to rear of fixing.

Fixing brackets can be rotated 90 degrees.



V720V2-RH-IS-XX

€482



CP
Chrome
plate



PN
Polished
nickel



URB
Urban
brass



SSB
Stainless steel
with matt black
chrome



SSF
Stainless steel
finish



URM
Urban brass
matt lacquered



MBC
Matt black
chrome



CNB
Country
bronze



CTB
City bronze

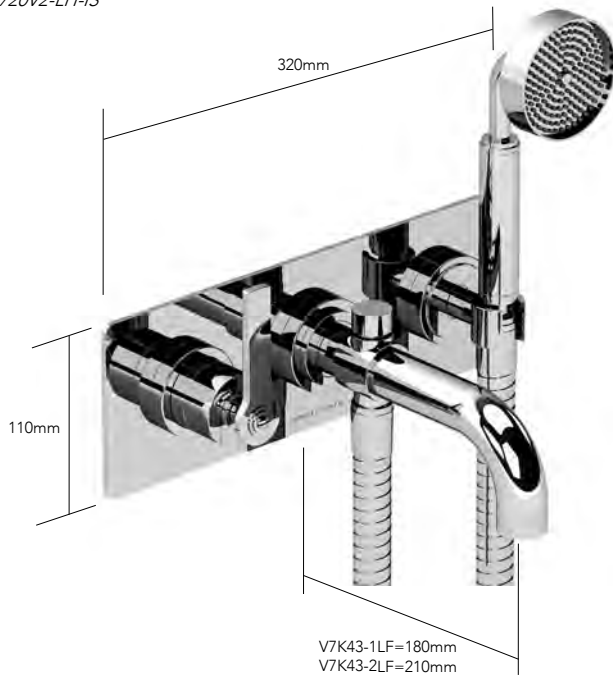


ABM
Antique
brass matt
lacquered

LANDMARK PURE Bath

V7K43-1LF, V7K43-2LF Wall mounted 3 hole bath filler with diverter (2 spout lengths)

requires V720V2-LH-IS



V7K43-1LF



V7K43-2LF

FITTING / APPROVALS

Requires V720V2-LH-IS



FLOW RATES

Min 3.0 bar
3.0 bar 21.0 l/min



Also now available without trim plate. **V7K43-1-NP, V7K43-2-NP**

FINISH

CP
PN
URB
SSB/SSF
URM
MBC
CNB/CTB/ABM

V7K43-1LF-LH

€3,410
€3,742
€3,920
€4,074
€4,256
€4,420
€4,590

V7K43-2LF-LH

€3,430
€3,778
€3,958
€4,112
€4,290
€4,470
€4,636

V7K43-1LF-NP

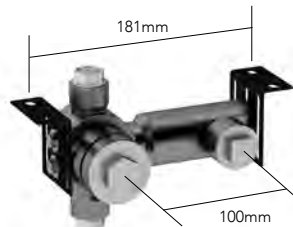
CP
PN
URB
SSB/SSF
URM
MBC
CNB/CTB/ABM

€3,096
€3,460
€3,642
€3,764
€3,910
€4,108
€4,218

V7K43-2LF-NP

€3,126
€3,498
€3,678
€3,706
€3,944
€4,128
€4,234

V720V2-LH-IS Left handed rough - only for use with Landmark



FITTING / APPROVALS

Feeds: 1/2"

Fitting depth: Min 73mm - Max 84mm from finished tiled surface to rear of fixing.

Fixing brackets can be rotated 90 degrees.



V720V2-LH-IS-XX

€482

LANDMARK PURE Bath

V7K47-1, V7K47-2 Wall mounted bath filler, trim set

requires V718-IS or V818-IS



FITTING / APPROVALS

Requires V718-IS or V818-IS



FLOW RATES

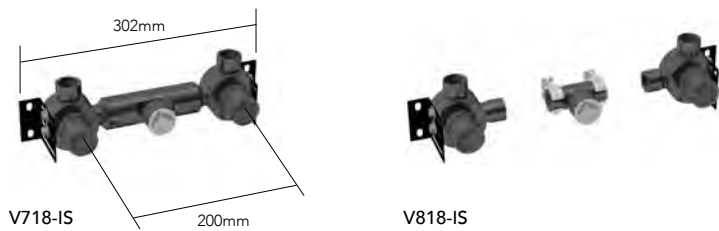
0.5 bar 25.2 l/min
1.0 bar 36.5 l/min
3.0 bar 67.3 l/min



FINISH

	V7K47-1	V7K47-2
CP	€1,634	€1,740
PN	€1,798	€1,918
URB	€2,040	€2,002
SSB/SSF	€1,944	€2,074
URM	€2,038	€2,180
MBC	€2,122	€2,264
CNB/CTB/ABM	€2,208	€2,348

V718-IS or V818-IS Roughs - only for use with Landmark



FITTING / APPROVALS

Feeds: 3/4" female with adaptor for 1/2" female
Fitting depth: Min 76mm



V718-IS-XX	€400
V818-IS-XX	€400



CP
Chrome
plate



PN
Polished
nickel



URB
Urban
brass



SSB
Stainless steel
with matt black
chrome



SSF
Stainless steel
finish



URM
Urban brass
matt lacquered



MBC
Matt black
chrome



CNB
Country
bronze



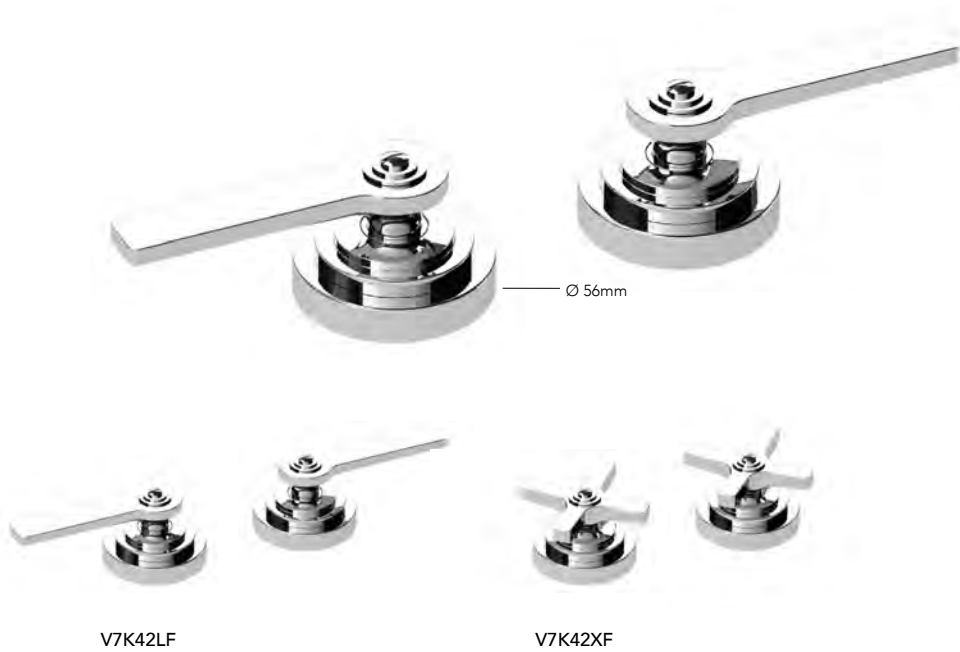
CTB
City bronze



ABM
Antique
brass matt
lacquered

LANDMARK PURE Bath

V7K42 Deck mounted side valves (pair) for overflow filler
requires V145



FITTING / APPROVALS

Feeds: 3/4"
 Max deck thickness: 50mm
 Max drill hole: Ø 42mm



FLOW RATES

0.5 bar 22.0 l/min
 3.0 bar 57.0 l/min

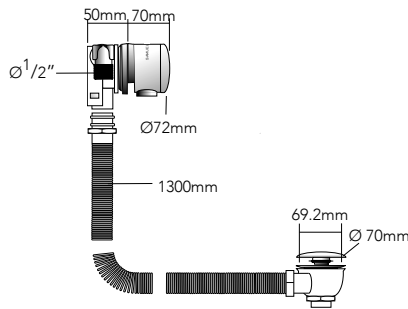


FINISH

- CP €1,432
- PN €1,574
- URB €1,644
- SSB/SSF €1,706
- URM €1,790
- MBC €1,860
- CNB/CTB/ABM €1,932

PRICE

V145 Overflow filler (high pressure) with click waste
requires V7K42



FITTING / APPROVALS

Feeds: 1/2"
 For baths up to 8mm thick.
 For baths 8-30mm thick please
 order extra V145-EXT

FLOW RATES

1.0 bar 19.0 l/min
 3.0 bar 35.0 l/min

FINISH

- CP €644
- PN €704
- URB €742
- SSB/SSF €742
- URM €870
- MBC €834
- CNB/CTB/ABM €872

PRICE

V145-EXT €122

LANDMARK PURE Bath

V746-1F, V746-2F Wall mounted spout, trim sets *requires V758-IS*



FITTING / APPROVALS

Fitting depth: Min 83mm
- Max 99mm



FINISH	V746-1	V746-2
CP	€692	€704
PN	€764	€764
URB	€798	€802
SSB/SSF	€836	€836
URM	€872	€870
MBC	€906	€908
CNB/CTB/ABM	€944	€944

V780-F Bath boss for hand shower



FINISH	PRICE
CP	€218
PN	€240
URB	€240
SSB/SSF	€250
URM	€266
MBC	€276
CNB/CTB/ABM	€288

V758-IS Spout rough for V746-1F and V746-2F



FITTING / APPROVALS

Feeds: 1/2"



XX	€166
----	------

V783 Angle bracket



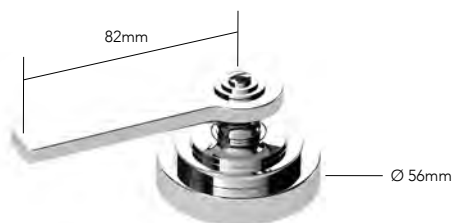
FITTING / APPROVALS

Feeds: 1/2"



FINISH	PRICE
CP	€156
PN	€168
URB	€184
SSB/SSF	€184
URM	€192
MBC	€204
CNB/CTB/ABM	€218

V7K41LF Deck mounted diverter



FITTING / APPROVALS

Feeds: 1/2"

Max deck thickness: 55mm

FINISH	PRICE
CP	€764
PN	€836
URB	€882
SSB/SSF	€908
URM	€956
MBC	€990
CNB/CTB/ABM	€1,038

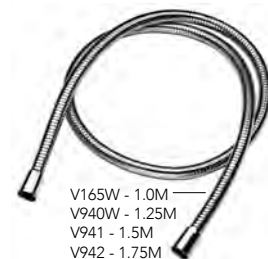
V165W, V940W, V941, V942 Hoses

FITTING / APPROVALS

Feeds: 1/2"



For WRAS approved versions order V165W, V940W, V941W or V942W.



	V165W	V940W	V941	V942
CP	€92	€92	€98	€110
PN	€100	€100	€98	€120
URB	€104	€104	€134	€146
SSF	€104	€104	€134	€146
URM	€116	€116	€158	€168
MBC	€116	€116	€146	€158
CNB/CTB/ABM	€120	€120	€266	€276

V754-F Easy clean hand shower



FITTING / APPROVALS

Feed: 1/2"



For WRAS approved version order V754W-K.

FLOW RATES

0.5 bar	3.5 l/min
1.0 bar	5.0 l/min
3.0 bar	5.6 l/min



FINISH	PRICE
CP	€498
PN	€552
URB	€572
SSF	€598
URM	€636
MBC	€646
CNB/CTB/ABM	€682

V766F-SPR Bidet spray

We recommend the use of a flow control with this bidet spray



FITTING / APPROVALS

Feed: 1/2"



For WRAS approved version order V754W-K.

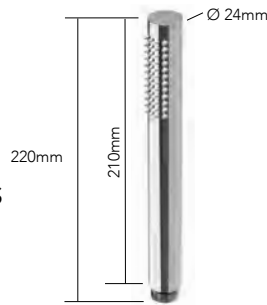
FLOW RATES

0.5 bar	4.0 l/min
1.0 bar	6.0 l/min
3.0 bar	7.4 l/min



FINISH	PRICE
CP	€646
PN	€646
URB	€668
SSF	€668
URM	€752
MBC	€742
CNB/CTB/ABM	€752

V182 Easy clean hand shower



FITTING / APPROVALS

Feed: 1/2"



For WRAS approved version order V182W.

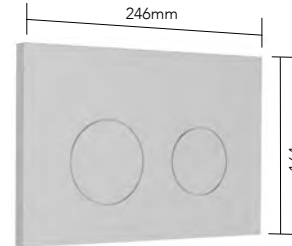
FLOW RATES

0.1 bar	3.2 l/min
1.0 bar	10.0 l/min
3.0 bar	13.34 l/min



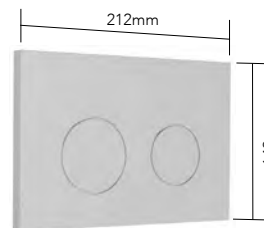
FINISH	PRICE
CP	€204
PN	€230
URB	€240
SSF	€240
URM	€276
MBC	€266
CNB/CTB/ABM	€276

V171 WC Dual flush plate to suit Geberit Sigma concealed cistern



FINISH	PRICE
CP	€1,922
PN	€2,002
URB	€2,070
SSF	€2,070
URM	€2,112
MBC	€2,126
CNB/CTB/ABM	€2,138

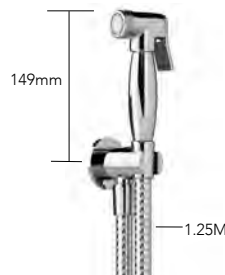
V172 WC Dual flush plate to suit Geberit Omega concealed cistern



FINISH	PRICE
CP	€1,922
PN	€2,002
URB	€2,070
SSF	€2,070
URM	€2,112
MBC	€2,126
CNB/CTB/ABM	€2,138

V299 Bidet spray

We recommend the use of a flow control with this bidet spray



FITTING / APPROVALS

Feed: 1/2"

FLOW RATES

0.5 bar	4.0 l/min
1.0 bar	6.0 l/min
3.0 bar	7.4 l/min

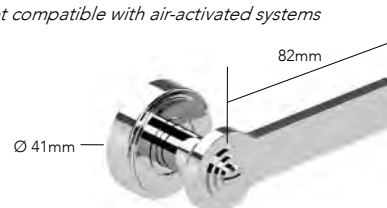


FINISH	PRICE
CP	€348
PN	€384
URB	€478
SSF	€478
URM	€598
MBC	€598
CNB/CTB/ABM	€718

V777 Cistern lever

V777EXT Extended cistern lever

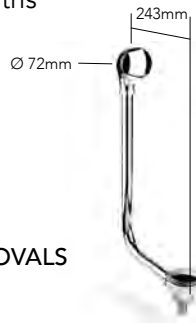
Not compatible with air-activated systems



FINISH	V777LK	V777EXT-LK
CP	€312	€442
PN	€334	€490
URB	€360	€504
SSB/SSF	€370	€526
URM	€386	€552
MBC	€396	€572
CNB/CTB/ABM	€420	€598

LANDMARK PURE Bath

V197 Bath click-clack waste with overflow for freestanding baths



FITTING / APPROVALS

Waste: 1 1/2"

An extended version for baths with a central waste is available.

FINISH	V197	V197-EXT
CP	€400	€582
PN	€442	€642
URB	€460	€670
SSB/SSF	€460	€670
URM	€562	€728
MBC	€562	€756
CNB/CTB/ABM	€562	€786

VA66 1 1/2" Auto pop-up waste



FITTING / APPROVALS

Waste: 1 1/2"

FINISH	PRICE
CP	€292
PN	€322
SSF	€334
MBC	€376
CNB/CTB/ABM	€394

V392 1 1/2" Bath click-clack waste, slotted
V392-UNS 1 1/2" Bath click-clack waste, unslotted



FINISH	V392	V392-UNS
CP	€138	€138
PN	€146	€146
URB	€164	€164
SSB/SSF	€164	€164
URM	€242	€242
MBC	€242	€242
CNB/CTB/ABM	€240	€240

VA67 1 1/2" Auto pop-up waste, extended for large baths



FITTING / APPROVALS

Waste: 1 1/2"

FINISH	PRICE
CP	€322
PN	€352
URB	€368
SSF	€368
URM	€400
MBC	€412
CNB/CTB/ABM	€430

VA65 1 1/2" Combined bath waste and overflow with metal plug and chain



FINISH	PRICE
CP	€164
PN	€180
URB	€250
SSB/SSF	€250
URM	€366
MBC	€250
CNB/CTB/ABM	€278

FITTING / APPROVALS

Waste: 1 1/2"

V195 Low P trap for freestanding bath



FITTING / APPROVALS

Waste: 1 1/2"

FINISH	PRICE
CP	€134
PN	€166
SSF	€192

LANDMARK PURE Shower

V7K6XLF9 Exposed 1/2" thermostatic shower set



FITTING / APPROVALS

Feeds: 1/2"

Centres: 147mm - 190mm

Height extensions are available, please contact our sales office.



Thermostatic valve only.

FINISH

CP	€6,800
PN	€7,468
URB	€7,798
SSB/SSF	€8,098
URM	€8,478
MBC	€8,800
CNB/CTB/ABM	€9,134

PRICE



CP
Chrome
plate



PN
Polished
nickel



URB
Urban
brass



SSB
Stainless steel
with matt black
chrome



SSF
Stainless steel
finish



URM
Urban brass
matt lacquered



MBC
Matt black
chrome



CNB
Country
bronze



CTB
City bronze



ABM
Antique
brass matt
lacquered

LANDMARK PURE Shower

V7B2XLF9 1/2" Concealed thermostatic shower, 2 flow controls

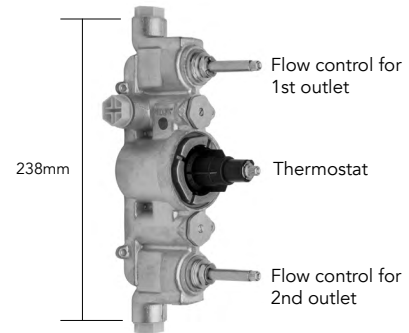
includes V663 easy clean shower head and V754 handshower.

Requires V135-IS concealed valve



V135-IS Concealed thermostatic valve - rough

Requires V7B2. This valve has 2 controlled outlets which can operate simultaneously.



FITTING / APPROVALS

Feeds: 1/2"
Projection of valve: 44mm
Extension kits are available.

FINISH	PRICE
CP	€3,924
PN	€4,306
URB	€4,492
SSB/SSF	€4,614
URM	€4,876
MBC	€5,066
CNB/CTB/ABM	€5,240

ROUGH

€952

FITTING / APPROVALS

Feeds: 1/2"
Fitting depth: Min 108mm - Max 119mm
from finished tiled surface to rear of fixing,
when used with Landmark.

Extension kits are available V135-EXT
adding 25mm to fitting depth. If necessary
more than one extension kit can be used.

FLOW RATES

0.5 bar 12.0 l/min
3.0 bar 32.0 l/min

Flow can be limited
eg. for BREEAM



CP
Chrome
plate

PN
Polished
nickel

URB
Urban
brass

SSB
Stainless steel
with matt black
chrome

SSF
Stainless steel
finish

URM
Urban brass
matt lacquered

MBC
Matt black
chrome

CNB
Country
bronze

CTB
City bronze

ABM
Antique
brass matt
lacquered

LANDMARK PURE Shower

V7B1XLF9 1/2" Concealed thermostatic shower, 2 flow controls

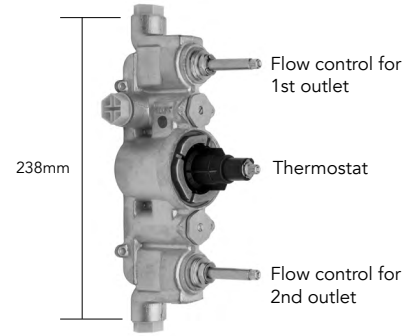
includes V663 easy clean shower head and V754 handshower.

Requires V135-IS concealed valve



V135-IS Concealed thermostatic valve - rough

Requires V7B1. This valve has 2 controlled outlets which can operate simultaneously.



FITTING / APPROVALS

Feeds: 1/2"

Projection of valve: 44mm

Extension kits are available.

FINISH

FINISH	PRICE
CP	€4,658
PN	€5,108
URB	€5,330
SSB/SSF	€5,454
URM	€5,786
MBC	€6,004
CNB/CTB/ABM	€6,226

ROUGH

€952

FITTING / APPROVALS

Feeds: 1/2"

Fitting depth: Min 108mm - Max 119mm
from finished tiled surface to rear of fixing,
when used with Landmark.

Extension kits are available V135-EXT
adding 25mm to fitting depth. If necessary
more than one extension kit can be used.

FLOW RATES

0.5 bar 12.0 l/min

3.0 bar 32.0 l/min

Flow can be limited

eg. for BREEAM



CP
Chrome
plate



PN
Polished
nickel



URB
Urban
brass



SSB
Stainless steel
with matt black
chrome



SSF
Stainless steel
finish



URM
Urban brass
matt lacquered



MBC
Matt black
chrome



CNB
Country
bronze



CTB
City bronze



ABM
Antique
brass matt
lacquered

LANDMARK PURE Shower

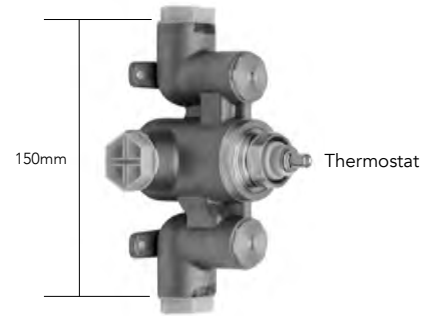
V700-T Trim set for V133-IS thermostatic valve

Requires V133-IS



V133-IS Concealed thermostatic valve - rough

Requires V700-T. This valve has 2 open outlets. Use V707 for each.



FITTING / APPROVALS

Feeds: 3/4"
Projection of valve: 44mm
Options: V707 flow control

FINISH	PRICE
CP	€986
PN	€1,084
URB	€1,132
SSB/SSF	€1,180
URM	€1,230
MBC	€1,280
CNB/CTB/ABM	€1,326

ROUGH

€552

FITTING / APPROVALS

Feeds: 3/4"
Fitting depth: Min 102mm - Max 113mm
from finished tiled surface to rear of fixing,
when used with V700 trim.

Extension kits are available V133-EXT
adding 25mm to fitting depth. If necessary
more than one extension kit can be used.
Further outlets can be configured.

FLOW RATES

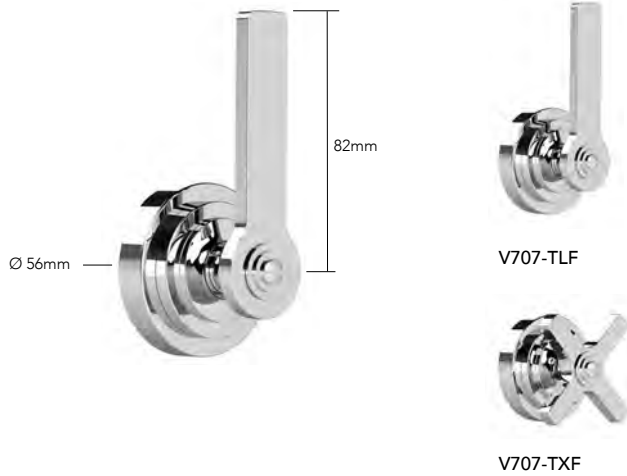
0.5 bar 12.0 l/min
3.0 bar 32.0 l/min

Flow can be limited
eg. for BREEAM



LANDMARK PURE Shower

V707-T Trim set for V607-IS flow control
Requires V607-IS



V607-IS Concealed flow control - rough
Requires V707-T



FITTING / APPROVALS

Feeds: 3/4"
Projection of valve: 40mm



FINISH	PRICE
CP	€620
PN	€574
URB	€596
SSB/SSF	€622
URM	€656
MBC	€670
CNB/CTB/ABM	€706

ROUGH

€160

FITTING / APPROVALS

Feeds: 3/4"
Fitting depth: Min 59.5 - Max 70.5mm
from finished tiled surface to centre,
when used with Landmark.

*Extension kits are available V607-EXT
adding 25mm to fitting depth. If necessary
more than one extension kit can be used.*

FLOW RATES

0.1 bar 22.2 l/min
3.0 bar 34.2 l/min
Flow can be limited
eg. for BREEAM



CP
Chrome
plate



PN
Polished
nickel



URB
Urban
brass



SSB
Stainless steel
with matt black
chrome



SSF
Stainless steel
finish



URM
Urban brass
matt lacquered



MBC
Matt black
chrome



CNB
Country
bronze



CTB
City bronze



ABM
Antique
brass matt
lacquered

LANDMARK PURE Shower

V701-TLF Trim set for V134-IS thermostatic valve

Requires V134-IS



V134-IS Concealed thermostatic valve - rough

Requires V701-T. This valve has 1 controlled outlet



FITTING / APPROVALS

Projection of valve: 44mm

FINISH

FINISH	PRICE
CP	€1,422
PN	€1,558
URB	€1,630
SSB/SSF	€1,704
URM	€1,778
MBC	€1,852
CNB/CTB/ABM	€1,920

ROUGH

€712

FITTING / APPROVALS

Feeds: 1/2"

Fitting depth: Min 108mm - Max 119mm from finished tiled surface to rear of fixing, when used with Landmark.

Extension kits are available V134-EXT adding 25mm to fitting depth. If necessary more than one extension kit can be used.

FLOW RATES

0.5 bar 10.0 l/min

3.0 bar 29.6 l/min

Flow can be limited eg. for BREEAM



CP
Chrome
plate



PN
Polished
nickel



URB
Urban
brass



SSB
Stainless steel
with matt black
chrome



SSF
Stainless steel
finish



URM
Urban brass
matt lacquered



MBC
Matt black
chrome



CNB
Country
bronze



CTB
City bronze

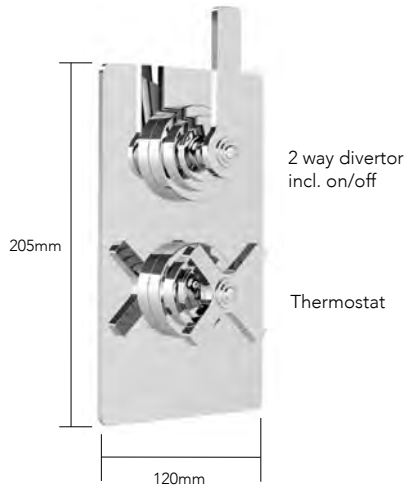


ABM
Antique
brass matt
lacquered

LANDMARK PURE Shower

V711-TLF Trim set for V111-IS thermostatic valve

Requires V111-IS



V111-IS Concealed thermostatic valve - rough

Requires V711-T. This valve has a two way diverter



FITTING / APPROVALS

Projection of valve: 44mm

FINISH

FINISH	PRICE
CP	€2,116
PN	€2,324
URB	€2,434
SSB/SSF	€2,544
URM	€2,638
MBC	€2,754
CNB/CTB/ABM	€2,860

ROUGH

€788

FITTING / APPROVALS

Feeds: 1/2"

Fitting depth: Min 108mm - Max 119mm from finished tiled surface to rear of fixing, when used with Landmark.

Extension kits are available V111-EXT adding 25mm to fitting depth. If necessary more than one extension kit can be used.

WRAS approval pending

FLOW RATES

0.5 bar 10.0 l/min

3.0 bar 29.6 l/min

Flow can be limited eg. for BREEAM



CP
Chrome
plate



PN
Polished
nickel



URB
Urban
brass



SSB
Stainless steel
with matt black
chrome



SSF
Stainless steel
finish



URM
Urban brass
matt lacquered



MBC
Matt black
chrome



CNB
Country
bronze



CTB
City bronze

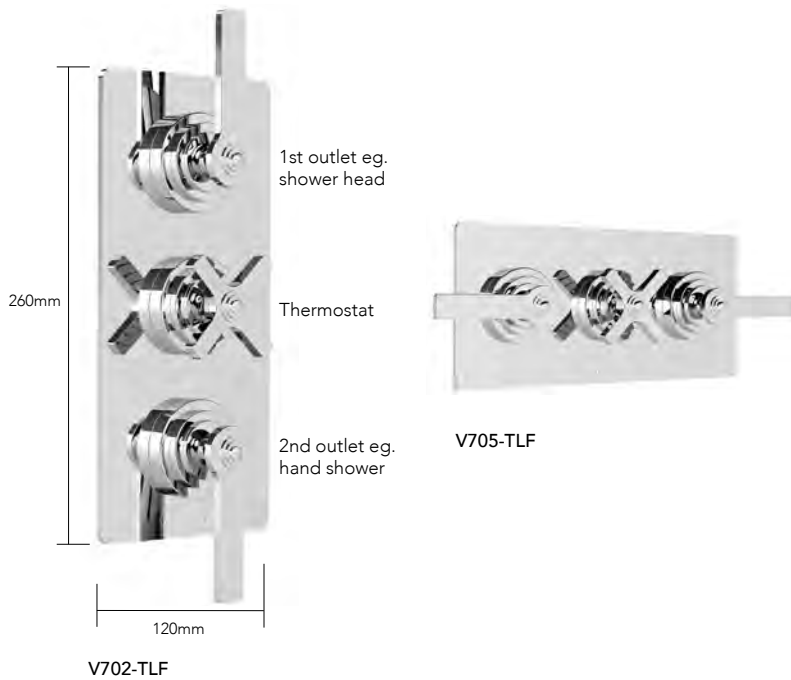


ABM
Antique
brass matt
lacquered

LANDMARK PURE Shower

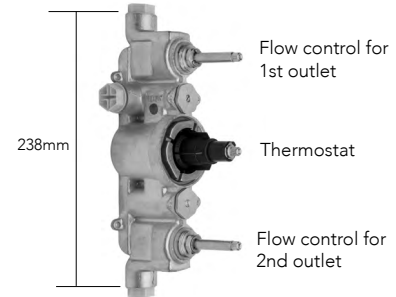
V702-TLF, V705-TLF Trim set for V135-IS thermostatic valve - 2 separate flow controls

Requires V135-IS



V135-IS Concealed thermostatic valve - rough

Requires V702-T or V705-T. This valve has 2 controlled outlets which can operate simultaneously



FITTING / APPROVALS

Projection of valve: 44mm

FINISH

FINISH	V702-T	V705-T
CP	€1,984	€3,310
PN	€2,178	€2,482
URB	€2,274	€3,730
SSB	€2,372	€2,882
SSF	€2,372	€2,880
URM	€2,482	€3,164
MBC	€2,580	€2,276
CNB/CTB/ABM	€2,674	€3,598

ROUGH

€952

FITTING / APPROVALS

Feeds: 1/2"

Fitting depth: Min 108mm - Max 119mm from finished tiled surface to rear of fixing, when used with Landmark.

Extension kits are available V135-EXT adding 25mm to fitting depth. If necessary more than one extension kit can be used.

FLOW RATES

0.5 bar 12.0 l/min

3.0 bar 32.0 l/min

Flow can be limited eg. for BREEAM



CP
Chrome
plate

PN
Polished
nickel

URB
Urban
brass

SSB
Stainless steel
with matt black
chrome

SSF
Stainless steel
finish

URM
Urban brass
matt lacquered

MBC
Matt black
chrome

CNB
Country
bronze

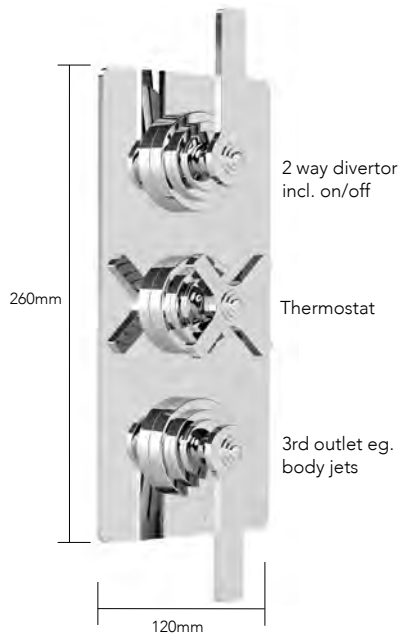
CTB
City bronze

ABM
Antique
brass matt
lacquered

LANDMARK PURE Shower

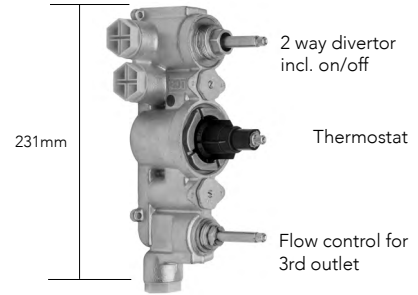
V703-TLF Trim set for V132-IS thermostatic valve - 2- way diverter with flow control for 3rd outlet

Requires V132-IS



V132-IS Concealed thermostatic valve - rough

Requires V703-T. This valve has a two-way divertor plus an extra controlled outlet giving 3 options



FITTING / APPROVALS

Projection of valve: 44mm

FINISH

CP	€1,984
PN	€2,178
URB	€2,274
SSB/SSF	€2,372
URM	€2,482
MBC	€2,580
CNB/CTB/ABM	€2,674

PRICE

ROUGH

€1,048

FITTING / APPROVALS

Feeds: 3/4"

Fitting depth: Min 108mm - Max 119mm from finished tiled surface to rear of fixing, when used with Landmark.

Extension kits are available V132-EXT adding 25mm to fitting depth. If necessary more than one extension kit can be used.

WRAS approval pending

FLOW RATES

0.5 bar 15.0 l/min

3.0 bar 40.5 l/min

Flow can be limited

eg. for BREEAM



CP
Chrome plate



PN
Polished nickel



URB
Urban brass



SSB
Stainless steel with matt black chrome



SSF
Stainless steel finish



URM
Urban brass matt lacquered



MBC
Matt black chrome



CNB
Country bronze



CTB
City bronze

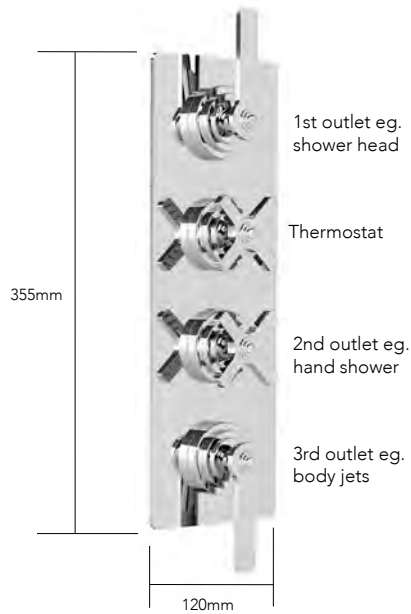


ABM
Antique brass matt lacquered

LANDMARK PURE Shower

V706-TLF Trim set for V606-IS thermostatic valve - 3 separate flow controls with 4th open outlet

Requires V606-IS

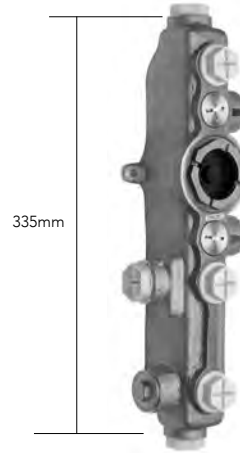


V606-IS Concealed thermostatic valve - rough

Requires V706-T. This valve has 3 controlled outlets and

1 open outlet giving 4 options, which can operate simultaneously.

Open outlet requires V707 if used



FITTING / APPROVALS

Projection of valve: 44mm
Options: V707 flow control

FINISH

CP	€2,832
PN	€3,126
URB	€3,256
SSB/SSF	€3,406
URM	€3,548
MBC	€3,682
CNB/CTB/ABM	€3,830

PRICE

ROUGH

€1,364

FITTING / APPROVALS

Feeds: 3/4"

Fitting depth: Min 110.5mm - Max 120.5mm
from finished tiled surface to rear of fixing,
when used with Landmark.

Extension kits are available V606-EXT
adding 25mm to fitting depth. If necessary
more than one extension kit can be used.
Further outlets can be configured.

FLOW RATES

0.5 bar 12.0 l/min

3.0 bar 33.0 l/min

Flow can be limited
eg. for BREEAM



CP
Chrome
plate



PN
Polished
nickel



URB
Urban
brass



SSB
Stainless steel
with matt black
chrome



SSF
Stainless steel
finish



URM
Urban brass
matt lacquered



MBC
Matt black
chrome



CNB
Country
bronze



CTB
City bronze



ABM
Antique
brass matt
lacquered

LANDMARK PURE Shower

V768-T Trim set for V168-IS concealed 3 way diverter

Requires V168-IS



V768-TLF

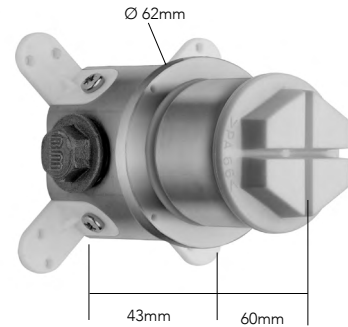


V768-TXF

V168-IS Concealed 3-way diverter rough

Requires V768-T

- One inlet, three outlets (one can be closed off)



FITTING / APPROVALS

Feeds: 1/2"
Projection of valve: 40mm

FINISH

FINISH	PRICE
CP	€552
PN	€604
URB	€628
SSB/SSF	€654
URM	€678
MBC	€702
CNB/CTB/ABM	€728

ROUGH

€452

FITTING / APPROVALS

Feeds: 1/2"
Fitting depth: Min 103.5mm - Max 114.5mm
from finished tiled surface to rear of fixing,
when used with Landmark.

Can be used for deck mounting providing
the unit is supported sufficiently.

FLOW RATES

0.1 bar 6.4 l/min
1.0 bar 20.4 l/min
3.0 bar 37.2 l/min

Flow can be limited
eg. for BREEAM



CP
Chrome
plate



PN
Polished
nickel



URB
Urban
brass



SSB
Stainless steel
with matt black
chrome



SSF
Stainless steel
finish



URM
Urban brass
matt lacquered



MBC
Matt black
chrome



CNB
Country
bronze



CTB
City bronze



ABM
Antique
brass matt
lacquered

LANDMARK PURE Shower

V762 1/2" Overhead shower arm



FITTING / APPROVALS	FINISH	PRICE
Feed: 1/2" Max installation depth: 87mm Projection: 490mm	CP	€546
	PN	€610
	URB	€634
	SSF	€634
	URM	€692
	MBC	€718
	CNB/CTB/ABM	€742



For WRAS approved version order V762W.

V663 200mm easy clean shower head

For swivel ball joint order V987.

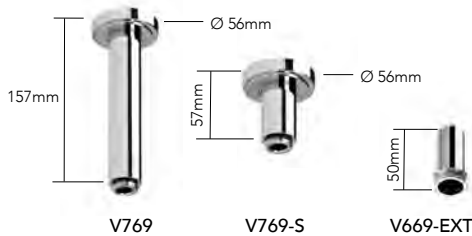


FITTING / APPROVALS	FINISH	PRICE
Feed: 1/2"	CP	€562
	PN	€610
	URB	€634
	SSF	€634
	URM	€694
	MBC	€718
	CNB/CTB/ABM	€754



For WRAS approved version order V663W.

V769, V769-S, V669-EXT 1/2" Ceiling tube for shower head



- V669-EXT extension piece can replace the 157mm tube to give a 50mm projection for fitting close to ceiling
- More than one V669-EXT extension piece can be used

FITTING / APPROVALS	FINISH	V769	V769-S	V669-EXT
	CP	€252	€184	€98
	PN	€276	€204	€96
	URB	€288	€204	€110
	SSF	€288	€204	€110
	URM	€314	€230	€122
	MBC	€324	€240	€122
	CNB/CTB/ABM	€334	€240	€120

V665 300mm easy clean shower head

For swivel ball joint order V987.

Due to its weight this product is best used with a ceiling tube, or the wall mounted shower arms V262, V662, V762, and T162; the pipework and shower arms must be rigidly secured. If used with exposed pipework additional support brackets will be required.



FITTING / APPROVALS	FINISH	PRICE
Feed: 1/2"	CP	€1,028
	PN	€1,122
	URB	€1,184
	SSF	€1,184
	URM	€1,276
	MBC	€1,338
	CNB/CTB/ABM	€1,382



For WRAS approved version order V665W.

V779 Adjustable, 6-jet easy clean shower head



FITTING / APPROVALS	FINISH	PRICE
Feed: 1/2"	CP	€644
	PN	€706
	URB	€740
	SSF	€740
	URM	€802
	MBC	€836
	CNB/CTB/ABM	€860



V779-8 Adjustable, 8-jet easy clean shower head



FITTING / APPROVALS	FINISH	PRICE
Feed: 1/2"	CP	€692
	PN	€740
	URB	€764
	SSF	€764
	URM	€836
	MBC	€870
	CNB/CTB/ABM	€898



LANDMARK PURE Shower

V178 200mm easy clean shower head



FITTING / APPROVALS	FINISH	PRICE
Feed: 1/2"	CP	€324
	PN	€360
	URB	€502
	SSF	€370
	URM	€502
	MBC	€418
	CNB/CTB/ABM	€502



V198 120mm dual function easy clean shower head



FITTING / APPROVALS	FINISH	PRICE
Feed: 1/2"	CP	€286



V188 200mm easy clean shower head



FITTING / APPROVALS

Feed: 1/2"



For WRAS approved version order V188W.

FINISH	PRICE
CP	€656
PN	€714
SSF	€752

V378 200mm square easy clean shower head



FITTING / APPROVALS

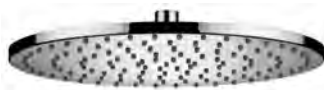
Feed: 1/2"



FINISH	PRICE
CP	€882
PN	€966
SSF	€1,018

V189 300mm easy clean shower head

Due to its weight this product is best used with a ceiling tube. If used with exposed pipework additional support brackets will be required.



FITTING / APPROVALS	FINISH	PRICE
Feed: 1/2"	CP	€956
	PN	€1,048
	SSF	€1,100



For WRAS approved version order V189W.

V379 300mm square easy clean shower head

Due to its weight this product is best used with a ceiling tube. If used with exposed pipework additional support brackets will be required.



FITTING / APPROVALS	FINISH	PRICE
Feed: 1/2"	CP	€1,194
	PN	€1,300
	SSF	€1,360



LANDMARK PURE Shower

V764 Wall outlet



FITTING / APPROVALS	FINISH	PRICE
Feed: 1/2"	CP	€152
	PN	€164
	URB	€176
	SSF	€176
	URM	€192
	MBC	€196
	CNB/CTB/ABM	€202



For WRAS approved version order V764W.

V767 Wall bracket



FITTING / APPROVALS	FINISH	PRICE
Feed: 1/2"	CP	€240
	PN	€250
	URB	€266
	SSF	€266
	URM	€286
	MBC	€302
	CNB/CTB/ABM	€312

V766 Combined wall outlet / bracket



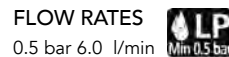
FITTING / APPROVALS	FINISH	PRICE
Feed: 1/2"	CP	€166
	PN	€194
	URB	€204
	SSF	€204
	URM	€216
	MBC	€230
	CNB/CTB/ABM	€230



V276 Body jet (high flow)



FITTING / APPROVALS	FINISH	PRICE
Feed: 1/2"	CP	€362
	PN	€416
	URB	€414
	SSF	€416
	URM	€512
	MBC	€472
	CNB/CTB/ABM	€520



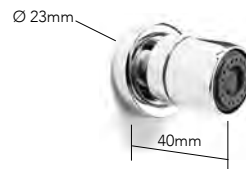
FLOW RATES
0.5 bar 6.0 l/min
1.0 bar 9.0 l/min
3.0 bar 14.0 l/min

V780-L Bath boss for hand shower

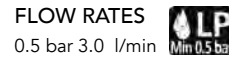


FINISH	PRICE
CP	€218
PN	€240
URB	€240
SSF	€250
URM	€266
MBC	€276
CNB/CTB/ABM	€288

V176 1/2" Bodyjet



FITTING / APPROVALS	FINISH	PRICE
Feed: 1/2"	CP	€166
	PN	€182
	URB	€194
	SSF	€194
	URM	€216
	MBC	€216
	CNB/CTB/ABM	€266



FLOW RATES
0.5 bar 3.0 l/min
1.0 bar 5.0 l/min
3.0 bar 9.0 l/min

V783 Angle bracket



FITTING / APPROVALS	FINISH	PRICE
Feed: 1/2"	CP	€156
	PN	€168
	URB	€184
	SSF	€184
	URM	€192
	MBC	€204
	CNB/CTB/ABM	€218



V987 Swivel ball joint

For use with V663 and V665 shower heads.



FITTING / APPROVALS	FINISH	PRICE
Feed: 1/2"	CP	€98
	PN	€106
	URB	€192
	SSF	€108
	URM	€218
	MBC	€126
	CNB/CTB/ABM	€140

LANDMARK PURE Shower

V165W, V940W, V941, V942 Hoses

FITTING / APPROVALS

Feeds: 1/2"



For WRAS approved versions order V165W, V940W, V941W or V942W.



	V165W	V940W	V941	V942
CP	€92	€92	€98	€110
PN	€100	€100	€98	€120
URB	€104	€104	€134	€146
SSF	€104	€104	€134	€146
URM	€116	€116	€158	€168
MBC	€116	€116	€146	€158
CNB/CTB/ABM	€120	€120	€266	€276

V299 Bidet spray

We recommend the use of a flow control with this bidet spray



FITTING / APPROVALS

Feeds: 1/2"



FINISH	PRICE
CP	€348
PN	€384
URB	€478
SSF	€478
URM	€598
MBC	€598
CNB/CTB/ABM	€718

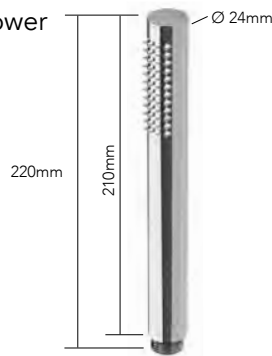
V182 Easy clean hand shower

FITTING / APPROVALS

Feed: 1/2"



For WRAS approved version order V182W.



FINISH	PRICE
CP	€204
PN	€230
URB	€240
SSF	€240
URM	€276
MBC	€266
CNB/CTB/ABM	€276

V766F-SPR Bidet spray

We recommend the use of a flow control with this bidet spray

FITTING / APPROVALS

Feed: 1/2"



FINISH	PRICE
CP	€646
PN	€646
URB	€668
SSF	€668
URM	€752
MBC	€742
CNB/CTB/ABM	€752

V754-F Easy clean hand shower

FITTING / APPROVALS

Feed: 1/2"



For WRAS approved version order V754W-F.



FINISH	PRICE
CP	€498
PN	€552
URB	€572
SSF	€598
URM	€636
MBC	€646
CNB/CTB/ABM	€682

V79... Optional indices



V790-F (Plain)



V791-F-C (Cold)



V791-F-H (Hot)

FINISH	PRICE
CP	€50
PN	€64
URB	€62
SSF	€62
URM	€62
MBC	€62
CNB/CTB/ABM	€72

LANDMARK PURE Shower

V770-KITF Slider rail kit



V770 Slider rail



FITTING / APPROVALS

Feed: 1/2"

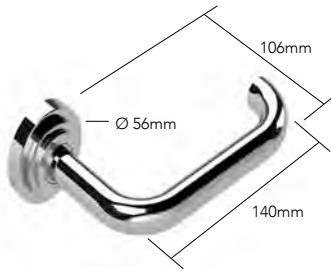
FINISH	PRICE
CP	€1,492
PN	€1,634
URB	€1,706
SSF	€1,730
URM	€1,860
MBC	€1,940
CNB/CTB/ABM	€2,000

FINISH	PRICE
CP	€752
PN	€834
URB	€870
SSF	€872
URM	€944
MBC	€980
CNB/CTB/ABM	€1,016

Landmark Pure accessories in antique brass matt



N7637F-RH Paper holder



FINISH	PRICE
CP	€268
PN	€292
URB	€308
SSB/SSF	€318
URM	€332
MBC	€346
CNB/CTB/ABM	€360

N7634F Soap holder



FINISH	PRICE
CP	€322
PN	€356
URB	€370
SSB/SSF	€386
URM	€402
MBC	€414
CNB/CTB/ABM	€436

N7637F-LH Paper holder



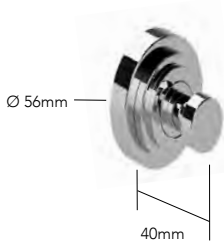
FINISH	PRICE
CP	€268
PN	€292
URB	€308
SSB/SSF	€318
URM	€332
MBC	€346
CNB/CTB/ABM	€360

N7635F Tumbler holder



FINISH	PRICE
CP	€322
PN	€356
URB	€370
SSB/SSF	€386
URM	€402
MBC	€414
CNB/CTB/ABM	€436

N7632F Robe hook



FINISH	PRICE
CP	€146
PN	€160
URB	€166
SSB/SSF	€174
URM	€182
MBC	€188
CNB/CTB/ABM	€196

N7691F Spare paper holder



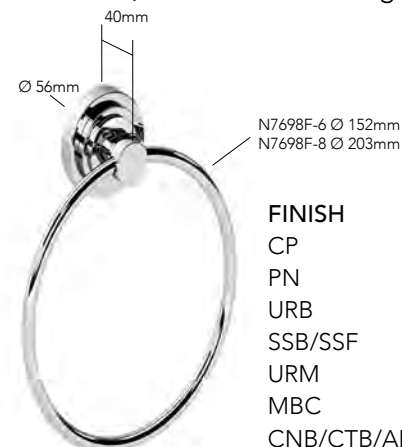
FINISH	PRICE
CP	€278
PN	€306
URB	€318
SSB/SSF	€332
URM	€346
MBC	€360
CNB/CTB/ABM	€372

N7648F Single robe hook



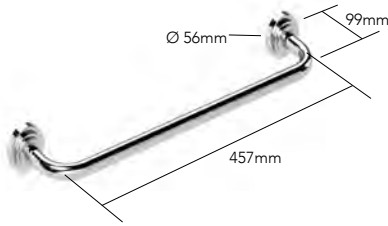
FINISH	PRICE
CP	€216
PN	€238
URB	€246
SSB/SSF	€258
URM	€270
MBC	€280
CNB/CTB/ABM	€288

N7698F-6, N7698F-8 Towel ring



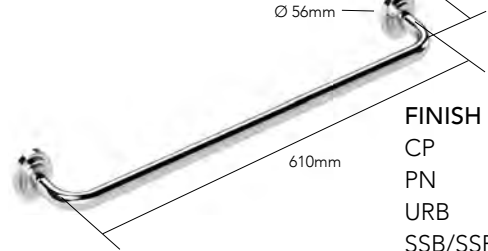
FINISH	N7698F-6	N7698F-8
CP	€198	€208
PN	€216	€230
URB	€226	€238
SSB/SSF	€236	€248
URM	€244	€258
MBC	€252	€270
CNB/CTB/ABM	€264	€280

N7655F Short towel rail



FINISH	PRICE
CP	€452
PN	€502
URB	€522
SSB/SSF	€544
URM	€568
MBC	€598
CNB/CTB/ABM	€622

N7655F-A Medium towel rail



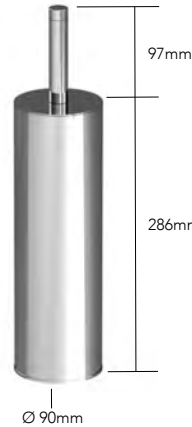
FINISH	PRICE
CP	€466
PN	€510
URB	€532
SSB/SSF	€558
URM	€586
MBC	€608
CNB/CTB/ABM	€634

N7655F-B Long towel rail



FINISH	PRICE
CP	€488
PN	€538
URB	€562
SSB/SSF	€586
URM	€608
MBC	€634
CNB/CTB/ABM	€658

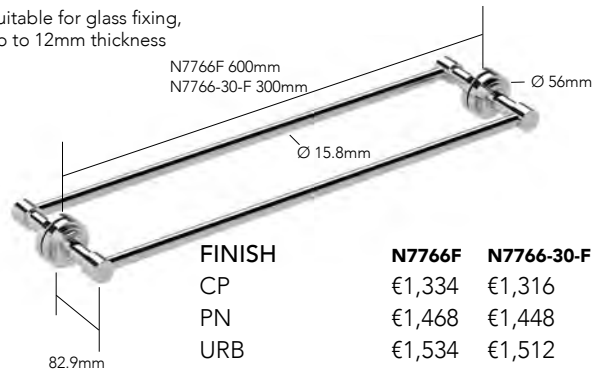
L7642 Wall mounted toilet brush
L7644 Freestanding toilet brush



FINISH	N7642	N7644
CP	€356	€318
PN	€392	€350
URB	€408	€362
SSB/SSF	€426	€376
URM	€444	€394
MBC	€460	€410
CNB/CTB/ABM	€476	€428

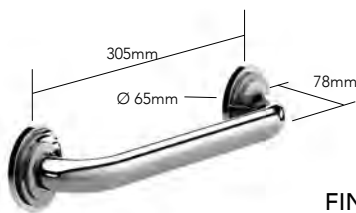
N7766F, N7766-30-F Back to back shower door rail

Suitable for glass fixing, up to 12mm thickness



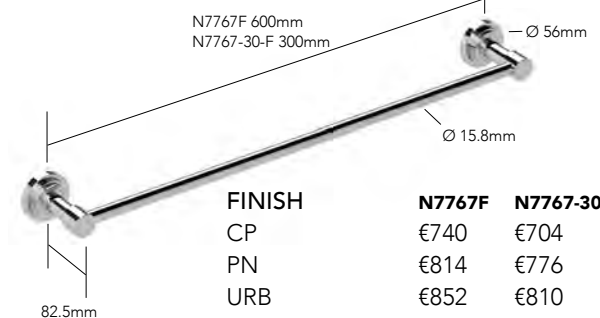
FINISH	N7766F	N7766-30-F
CP	€1,334	€1,316
PN	€1,468	€1,448
URB	€1,534	€1,512
SSB/SSF	€1,606	€1,578
URM	€1,668	€1,646
MBC	€1,736	€1,710
CNB/CTB/ABM	€1,800	€1,776

N7739F Grab rail



FINISH	PRICE
CP	€608
PN	€668
URB	€692
SSB/SSF	€730
URM	€752
MBC	€788
CNB/CTB/ABM	€812

N7767F, N7767-30-F Towel Rail



FINISH	N7767F	N7767-30-F
CP	€740	€704
PN	€814	€776
URB	€852	€810
SSB/SSF	€888	€846
URM	€924	€880
MBC	€1,736	€916
CNB/CTB/ABM	€998	€950



CP
Chrome plate

PN
Polished nickel

URB
Urban brass

SSB
Stainless steel with matt black chrome

SSF
Stainless steel finish

URM
Urban brass matt lacquered

MBC
Matt black chrome

CNB
Country bronze

CTB
City bronze

ABM
Antique brass matt lacquered

Exposed thermostatic shower valve with cross top and metal lever controls in city bronze



STYLE MODERNE

Style Moderne is a highly distinctive collection of taps, showers and complementary bathroom accessories inspired by the grace and glamour of the Art Deco period of the 1920s and 1930s. Available in 11 stunning finishes with lever, cross top, Quilted, Radiant and Luxe control options.

STYLE MODERNE

BASIN & BIDET



V6K09



V6K14



V6K16



V6K13



V6K19



V6K17



BATH



V6K30 is also available as a wall mounted option V6K32



V6K47



V6K48



V171
V172

V677



W.C.

STYLE MODERNE

SHOWER



V600



V607



Rough only



V601
V611



V601 Rough only



V602
V603



V602 Rough only



V606



Rough only



V661



V6K6



Thermostatic valve only



V6K7



Thermostatic valve only



V6B1



Rough only



V6B2



Rough only

The Style Moderne Collection is available to approved, displaying dealers only.
Includes brassware for low pressure gravity fed systems and water saving measures.
For accessories see pages 409 - 415

STYLE MODERNE Control options



Metal cross top - **X**



Metal lever - **M**



Gloss black chrome cross top - **XB**



Gloss black chrome lever - **MB**

STYLE MODERNE Control options

QUILTED



Clear glass lever - **CCQ**

QUILTED



Black glass lever- **BCQ**

RADIANT



Clear glass lever - **CCR**

RADIANT



Black glass lever- **BCR**

LUXE



Glass roundel - **D**

LUXE



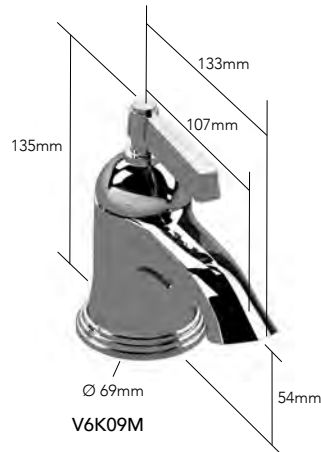
Glass lever- **L**

Wall mounted basin mixer with metal levers in antique brass matt



STYLE MODERNE Basin

V6K09 Single lever basin mixer with pop-up waste



V6K09MB

FINISH	PRICE
CP	€1,216
PN	€1,336
SSF/NL/BG	€1,408
BGG/BGM	€1,526
ABM/CTB/CNB	€1,646
AG	€1,706

QUILTED



V6K09CCQ

V6K09BCQ

RADIANT



V6K09CCR

V6K09BCR

LUXE



V6K09L

FITTING / APPROVALS

Feeds: 1/2"
 Max deck thickness: 38mm
 Max drill hole: Ø 40mm



FLOW RATES

0.1 bar	3.0 l/min
1.0 bar	11.5 l/min
3.0 bar	21.0 l/min

Flow can be limited
 eg. for BREEAM



FINISH

FINISH	PRICE
CP	€1,612
PN	€1,762
SSF/NL/BG	€1,834
BGG/BGM	€2,002
ABM/CTB/CNB	€2,158
AG	€2,230



CP
 Chrome plate



PN
 Polished nickel



SSF
 Stainless steel finish



NL
 Non lacquered brass



BG
 Brushed gold



BGG
 Brushed gold gloss lacquered



BGM
 Brushed gold matt lacquered



ABM
 Antique brass matt lacquered



CTB
 City bronze



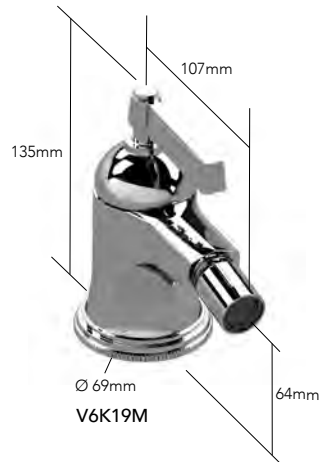
CNB
 Country bronze



AG
 Antique gold

STYLE MODERNE Bidet

V6K19 Single lever bidet mixer with pop-up waste



V6K19MB

FINISH	PRICE
CP	€1,166
PN	€1,286
SSF/NL/BG	€1,350
BGG/BGM	€1,466
ABM/CTB/CNB	€1,586
AG	€1,632

QUILTED



V6K19CCQ



V6K19BCQ

RADIANT



V6K19CCR



V6K19BCR

LUXE



V6K19L

FITTING / APPROVALS

Feeds: 1/2"
Max deck thickness: 38mm
Max drill hole: Ø 40mm



FLOW RATES

0.1 bar	3.2 l/min
1.0 bar	11.0 l/min
3.0 bar	20.4 l/min

Flow can be limited
eg. for BREEAM



FINISH

FINISH	PRICE
CP	€1,562
PN	€1,706
SSF/NL/BG	€1,788
BGG/BGM	€1,944
ABM/CTB/CNB	€2,098
AG	€2,170



CP
Chrome
plate



PN
Polished
nickel



SSF
Stainless steel
finish



NL
Non lacquered
brass



BG
Brushed
gold



BGG
Brushed
gold gloss
lacquered



BGM
Brushed gold
matt lacquered



ABM
Antique
brass matt
lacquered



CTB
City bronze



CNB
Country
bronze



AG
Antique
gold

STYLE MODERNE Basin

V6K14 3 hole basin filler with pop-up waste



FINISH	With PUW	No PUW
CP	€1,750	€1,616
PN	€1,924	€1,776
SSF/NL/BG	€2,014	€1,854
BGG/BGM	€2,276	€2,098
ABM/CTB/CNB	€2,456	€2,264
AG	€2,540	€2,348

QUILTED

RADIANT

LUXE



V6K14CCQ



V6K14CCR



V6K14L



V6K14BCQ



V6K14BCR



V6K14D

FITTING / APPROVALS

Feeds: 1/2"
 Max deck thickness: 40mm
 Max drill hole: Ø 40mm - side valve
 Max drill hole: Ø 48mm - spout



FLOW RATES

0.1 bar	5.8 l/min
1.0 bar	20.8 l/min
3.0 bar	39.0 l/min

Flow can be limited eg. for BREEAM



FINISH

FINISH	With PUW	No PUW
CP	€2,300	€2,146
PN	€2,528	€2,362
SSF/NL/BG	€2,646	€2,456
BGG/BGM	€2,872	€2,670
ABM/CTB/CNB	€3,098	€2,886
AG	€3,206	€2,992

Without pop-up waste: order eg. V6K14MNP



CP
Chrome plate

PN
Polished nickel

SSF
Stainless steel finish

NL
Non lacquered brass

BG
Brushed gold

BGG
Brushed gold gloss lacquered

BGM
Brushed gold matt lacquered

ABM
Antique brass matt lacquered

CTB
City bronze

CNB
Country bronze

AG
Antique gold

STYLE MODERNE Basin

V6K16 3 hole basin filler with pop-up waste



FINISH	With PUW	No PUW
CP	€1,762	€1,626
PN	€1,938	€1,786
SSF/NL/BG	€2,026	€1,866
BGG/BGM	€2,290	€2,112
ABM/CTB/CNB	€2,478	€2,276
AG	€2,566	€2,360

QUILTED



V6K16CCQ

RADIANT



V6K16CCR

LUXE



V6K16L



V6K16BCQ



V6K16BCR



V6K16D

FITTING / APPROVALS

Feeds: 1/2"
 Max deck thickness: 40mm
 Max drill hole: Ø 40mm - side valve
 Max drill hole: Ø 48mm - spout

FLOW RATES

0.5 bar	18.0 l/min
1.0 bar	25.7 l/min
3.0 bar	48.0 l/min

Flow can be limited eg. for BREEAM



FINISH

FINISH	With PUW	No PUW
CP	€2,300	€2,156
PN	€2,528	€2,372
SSF/NL/BG	€2,646	€2,478
BGG/BGM	€2,872	€2,696
ABM/CTB/CNB	€3,098	€2,910
AG	€3,206	€3,016



Without pop-up waste: order eg. V6K16MNP



CP Chrome plate	PN Polished nickel	SSF Stainless steel finish	NL Non lacquered brass	BG Brushed gold	BGG Brushed gold gloss lacquered	BGM Brushed gold matt lacquered	ABM Antique brass matt lacquered	CTB City bronze	CNB Country bronze	AG Antique gold
--------------------	-----------------------	-------------------------------	---------------------------	--------------------	-------------------------------------	------------------------------------	-------------------------------------	--------------------	-----------------------	--------------------

STYLE MODERNE Basin

V6K17 Wall mounted basin filler, trim set

requires V118-IS or V218-IS



V6K17M



V6K17X



V6K17MB



V6K17XB

FINISH	PRICE
CP	€1,504
PN	€1,660
SSF/NL/BG	€1,730
BGG/BGM	€1,872
ABM/CTB/CNB	€2,026
AG	€2,096

QUILTED



V6K17CCQ



V6K17BCQ

RADIANT



V6K17CCR



V6K17BCR

LUXE



V6K17L



V6K17D

FITTING / APPROVALS

Requires V118-IS or V218-IS rough



FLOW RATES

0.5 bar	4.3 l/min
1.0 bar	6.0 l/min
3.0 bar	7.4 l/min

Flow can be limited
eg. for BREEAM



FINISH

FINISH	PRICE
CP	€1,968
PN	€2,156
SSF/NL/BG	€2,252
BGG/BGM	€2,456
ABM/CTB/CNB	€2,646
AG	€2,742

V118-IS or V218-IS Roughs

FITTING / APPROVALS

Feeds: 3/4" female with adaptor
for 1/2" female
Fitting depth: Min 59mm



V118-IS



V218-IS

V118-IS-X	€400
V218-IS-XX	€400



CP
Chrome
plate



PN
Polished
nickel



SSF
Stainless steel
finish



NL
Non lacquered
brass



BG
Brushed
gold



BGG
Brushed
gold gloss
lacquered



BGM
Brushed gold
matt lacquered



ABM
Antique
brass matt
lacquered



CTB
City bronze



CNB
Country
bronze



AG
Antique
gold

STYLE MODERNE Bidet

V6K13 3 hole bidet filler with pop-up waste



V6K13M

V6K13MB



V6K13X



V6K13XB

FINISH	With PUW	No PUW
CP	€1,824	€1,680
PN	€2,002	€1,848
SSF/NL/BG	€2,098	€1,930
BGG/BGM	€2,276	€2,098
ABM/CTB/CNB	€2,456	€2,264
AG	€2,540	€2,348

QUILTED



V6K13CCQ

RADIANT



V6K13CCR

LUXE



V6K13L



V6K13BCQ



V6K13BCR



V6K13D

FITTING / APPROVALS

Feeds: 1/2"
 Max deck thickness: 40mm
 Max drill hole: Ø 40mm - side valve
 Max drill hole: Ø 48mm - spout

FLOW RATES

0.1 bar	3.3 l/min
1.0 bar	13.1 l/min
3.0 bar	23.9 l/min

Flow can be limited
 eg. for BREEAM



FINISH

FINISH	With PUW	No PUW
CP	€2,276	€2,148
PN	€2,504	€2,360
SSF/NL/BG	€2,622	€2,456
BGG/BGM	€2,848	€2,670
ABM/CTB/CNB	€3,074	€2,886
AG	€3,196	€2,992

Without pop-up waste: order eg. V6K13MNP



CP
Chrome
plate

PN
Polished
nickel

SSF
Stainless steel
finish

NL
Non lacquered
brass

BG
Brushed
gold

BGG
Brushed
gold gloss
lacquered

BGM
Brushed gold
matt lacquered

ABM
Antique
brass matt
lacquered

CTB
City bronze

CNB
Country
bronze

AG
Antique
gold

STYLE MODERNE Wastes and ancillaries

V690 Angle valve



V690-M

V690-X



V690-MB

V690-XB

FITTING / APPROVALS

Feed: 1/2"
Outlet: 3/8" or 10mm

FINISH	PRICE
CP	€266
PN	€286
SSF/NL/BG	€360
BGG/BGM	€360
ABM/CTB/CNB	€384
AG	€386

V986-300 300mm Tube

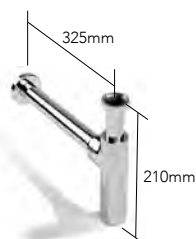
V986-500 500mm Tube



FINISH	PRICE	FINISH	PRICE
CP	€92	CP	€122
PN	€98	PN	€132
SSF/NL/BG	€102	SSF/NL/BG	€140
BGG/BGM	€110	BGG/BGM	€150
ABM/CTB/CNB	€120	ABM/CTB/CNB	€162
AG	€124	AG	€172

V193 1 1/4" Basin bottle trap

500mm extension tube available, order V193-500



FINISH	V193	V193-500 Tube only
CP	€276	€182
PN	€306	€200
SSF/NL/BG	€318	€206
BGG/BGM	€370	€234
ABM/CTB/CNB	€370	€242
AG	€386	€252

VA63-X 1 1/4" Basin bottle trap

500mm extension tube available, order VA63-500



FINISH	VA63-X	VA63-500 Tube only
CP	€130	€132
PN	€242	€240
SSF/NL/BG	€266	€264
BGG/BGM	€334	€334
ABM/CTB/CNB	-	€406
AG	€360	€362

V192 1 1/4" Basin click-clack waste

For free-flow please order V192-FF
Unslotted also available V192-UNS



FINISH	PRICE
CP	€96
PN	€146
SSF/NL/BG	€146
BGG/BGM	€156
ABM/CTB/CNB	€168
AG	€166

VA60 1 1/4" Basin waste with metal plug, chain and stay



Chain length: 280mm

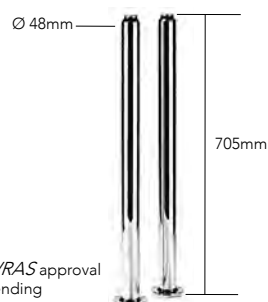
FINISH	PRICE
CP	€132
PN	€144
SSF/NL/BG	€150
AG	€184

VA72 Tap hole stopper - drilled



FINISH	PRICE
CP	€98
PN	€112
SSF/NL/BG	€114
BGG/BGM	€124
ABM/CTB/CNB	€134
AG	€136

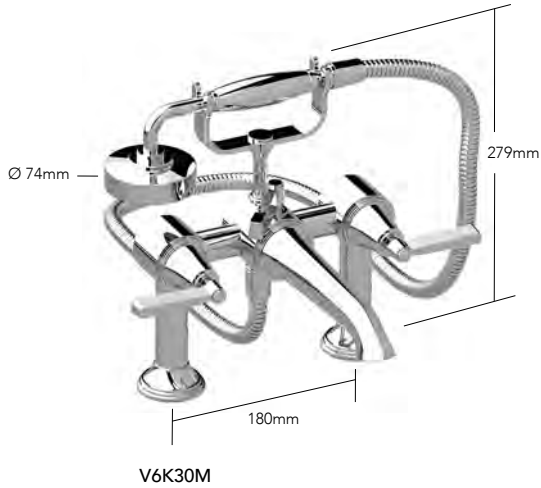
V238 Standpipes for bath / shower mixers



FINISH	PRICE
CP	€1,668
PN	€1,836
SSF/NL/BG	€1,918
BGG/BGM	€2,086
ABM/CTB/CNB	€2,254
AG	€2,326

STYLE MODERNE Bath

V6K30 Deck mounted bath / shower mixer



V6K30MB



V6K30X



V6K30XB

FINISH	PRICE
CP	€3,590
PN	€3,958
SSF/NL/BG	€4,290
BGG/BGM	€4,658
ABM/CTB/CNB	€5,038
AG	€5,220

QUILTED



V6K30CCQ

RADIANT



V6K30CCR

LUXE



V6K30L



V6K30BCQ



V6K30BCR



V6K30D

FITTING / APPROVALS

Feeds: 3/4"

Spout length: 230mm

Max deck thickness: 38.4mm

Max drill hole: Ø 40mm

Standpipes: If required on standpipes please order adaptor V630-ADAP (supplied free of charge)



FLOW RATES

0.5 bar 22.3 l/min

1.0 bar 32.4 l/min

3.0 bar 59.6 l/min



FINISH

FINISH	PRICE
CP	€4,194
PN	€4,610
SSF/NL/BG	€4,824
BGG/BGM	€5,242
ABM/CTB/CNB	€5,660
AG	€5,862



CP
Chrome plate



PN
Polished nickel



SSF
Stainless steel finish



NL
Non lacquered brass



BG
Brushed gold



BGG
Brushed gold gloss lacquered



BGM
Brushed gold matt lacquered



ABM
Antique brass matt lacquered



CTB
City bronze



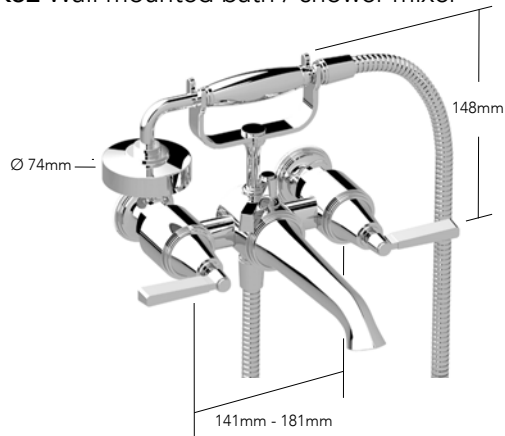
CNB
Country bronze



AG
Antique gold

STYLE MODERNE Bath

V6K32 Wall mounted bath / shower mixer



V6K32M



V6K32MB



V6K32X



V6K32XB

FINISH	PRICE
CP	€3,778
PN	€4,144
SSF/NL/BG	€4,338
BGG/BGM	€4,718
ABM/CTB/CNB	€5,088
AG	€5,278

QUILTED



V6K32CCQ

RADIANT



V6K32CCR

LUXE



V6K32L



V6K32BCQ



V6K32BCR



V6K32D

FITTING / APPROVALS

Feeds: 3/4"
Spout length: 283mm



FLOW RATES

0.5 bar	20.5 l/min	
1.0 bar	30.4 l/min	
3.0 bar	56.0 l/min	

FINISH	PRICE
CP	€4,242
PN	€4,658
SSF/NL/BG	€4,872
BGG/BGM	€5,288
ABM/CTB/CNB	€5,718
AG	€5,920



CP
Chrome
plate



PN
Polished
nickel



SSF
Stainless steel
finish



NL
Non lacquered
brass



BG
Brushed
gold



BGG
Brushed
gold gloss
lacquered



BGM
Brushed gold
matt lacquered



ABM
Antique
brass matt
lacquered



CTB
City bronze



CNB
Country
bronze



AG
Antique
gold

STYLE MODERNE Bath

V6K48, V6K49 Deck mounted 4-hole bath filler



V6K48M

V6K48MB

V6K48X

V6K48XB

FINISH	V6K48	V6K49
CP	€3,526	€3,612
PN	€3,886	€3,968
SSF/NL/BG	€4,062	€4,144
BGG/BGM	€4,420	€4,504
ABM/CTB/CNB	€4,766	€4,860
AG	€4,946	€5,052

QUILTED



V6K48CCQ

RADIANT



V6K48CCR

LUXE



V6K48L



V6K48BCQ



V6K48BCR



V6K48D

FITTING / APPROVALS

Feeds: 3/4"

Spout length: V6K48 = 145mm,
V6K49 = 190mm

Max deck thickness: 40.0mm

Max drill hole - Spout: Ø 48.5mm

Max drill hole - Side valve: Ø 45.5mm

Max drill hole - Handset: Ø 41.0mm

FLOW RATES

1.0 bar 21.3 l/min

3.0 bar 39.4 l/min

FINISH	V6K48	V6K49
CP	€3,994	€4,062
PN	€4,396	€4,470
SSF/NL/BG	€4,590	€4,684
BGG/BGM	€4,992	€5,086
ABM/CTB/CNB	€5,388	€5,492
AG	€5,590	€5,684



CP
Chrome
plate

PN
Polished
nickel

SSF
Stainless steel
finish

NL
Non lacquered
brass

BG
Brushed
gold

BGG
Brushed
gold gloss
lacquered

BGM
Brushed gold
matt lacquered

ABM
Antique
brass matt
lacquered

CTB
City bronze

CNB
Country
bronze

AG
Antique
gold

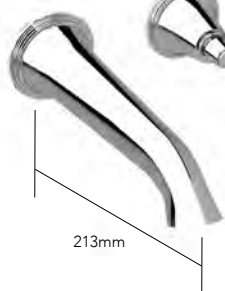
STYLE MODERNE Bath

V6K47 Wall mounted bath filler, trim set

requires V118-IS or V218-IS



V6K47M



213mm

V6K47MB



V6K47X



V6K47XB



FINISH	PRICE
CP	€1,564
PN	€1,716
SSF/NL/BG	€1,788
BGG/BGM	€1,944
ABM/CTB/CNB	€2,098
AG	€2,180

QUILTED



V6K47CCQ

RADIANT



V6K47CCR

LUXE



V6K47L



V6K47BCQ



V6K47BCR



V6K47D

FITTING / APPROVALS

Requires V118-IS or V218-IS rough



FLOW RATES

0.5 bar	37.4 l/min
1.0 bar	54.7 l/min
3.0 bar	96.0 l/min



FINISH	PRICE
CP	€2,026
PN	€2,218
SSF/NL/BG	€2,326
BGG/BGM	€2,528
ABM/CTB/CNB	€2,730
AG	€2,826

V118-IS or V218-IS Roughs

FITTING / APPROVALS

Feeds: 3/4" female with adaptor for 1/2" female

Fitting depth: Min 59mm



V118-IS



V218-IS

V118-IS-XX	€400
V218-IS-XX	€400



CP
Chrome plate

PN
Polished nickel

SSF
Stainless steel finish

NL
Non lacquered brass

BG
Brushed gold

BGG
Brushed gold gloss lacquered

BGM
Brushed gold matt lacquered

ABM
Antique brass matt lacquered

CTB
City bronze

CNB
Country bronze

AG
Antique gold

STYLE MODERNE Bath

V6K42 Deck mounted side valves (pair) for overflow filler



V6K42M



V6K42MB



V6K42X



V6K42XB

FINISH	PRICE
CP	€1,478
PN	€1,622
SSF/NL/BG	€1,696
BGG/BGM	€1,848
ABM/CTB/CNB	€1,992
AG	€2,062

QUILTED



V6K42CCQ

RADIANT



V6K42CCR

LUXE



V6K42L



V6K42BCQ



V6K42BCR



V6K42D

FITTING / APPROVALS

Feeds: 3/4"
 Max deck thickness: 47mm
 Max drill hole: Ø 45.5mm



FLOW RATES

0.5 bar	32.0 l/min
1.0 bar	46.4 l/min
3.0 bar	71.0 l/min



FINISH	PRICE
CP	€1,932
PN	€2,134
SSF/NL/BG	€2,230
BGG/BGM	€2,422
ABM/CTB/CNB	€2,612
AG	€2,706



CP
Chrome plate

PN
Polished nickel

SSF
Stainless steel finish

NL
Non lacquered brass

BG
Brushed gold

BGG
Brushed gold gloss lacquered

BGM
Brushed gold matt lacquered

ABM
Antique brass matt lacquered

CTB
City bronze

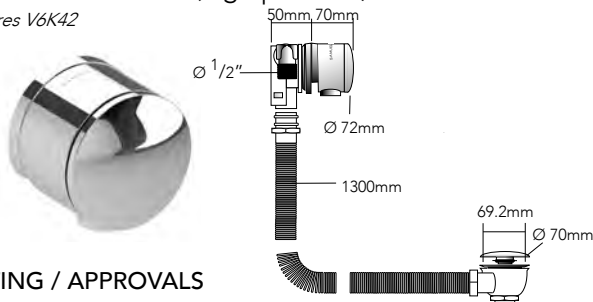
CNB
Country bronze

AG
Antique gold

STYLE MODERNE Bath and W.C.

V145 Overflow filler (high pressure) with click waste

requires V6K42



FITTING / APPROVALS

Feeds: 1/2"

For baths up to 8mm thick.
For baths 8-30mm thick please
order extra V145-EXT

FLOW RATES

0.1 bar 4.2 l/min
1.0 bar 19.0 l/min
3.0 bar 35.0 l/min



FINISH	PRICE
CP	€644
PN	€704
SSF/NL/BG	€742
BGG/BGM	€870
ABM/CTB/CNB	-
AG	€908
V145-EXT	€122

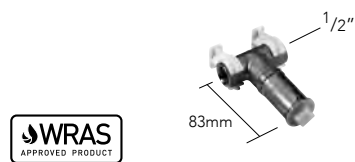
V646 Wall mounted spout, trim set

requires V158-IS



FINISH	PRICE
CP	€680
PN	€752
SSF/NL/BG	€788
BGG/BGM	€848
ABM/CTB/CNB	€918
AG	€956

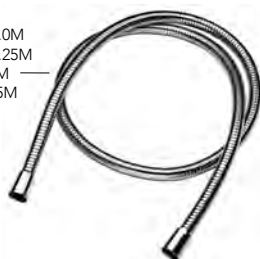
V158-IS.XX Spout rough for V646



XX	€78
----	-----

V165W, V940W, V941, V942 Hoses

V165W - 1.0M
V940W - 1.25M
V941 - 1.5M
V942 - 1.75M



FITTING / APPROVALS

Feeds: 1/2"



For WRAS approved versions order
V165W, V940W, V941W or V942W.

	V165W	V940W	V941	V942
CP	€92	€92	€98	€110
PN	€100	€100	€98	€120
SSF/NL/BG	€104	€104	€134	€146
BGG/BGM	€114	€114	€168	€182
ABM/CTB/CNB	€120	€120	€266	€276
AG	€124	€124	€182	€192

V680 Bath boss for hand shower



FINISH	PRICE
CP	€194
PN	€204
SSF/NL/BG	€218
BGG/BGM	€240
ABM/CTB/CNB	€250
AG	€266

V283 Angle bracket



FINISH	PRICE
CP	€162
PN	€178
SSF/NL/BG	€188
BGG/BGM	€204
ABM/CTB/CNB	€218
AG	€228

FITTING / APPROVALS

Feed: 1/2"

V677 Cistern lever

V677EXT Extended cistern lever (for concealed cisterns)
Not compatible with air-activated systems



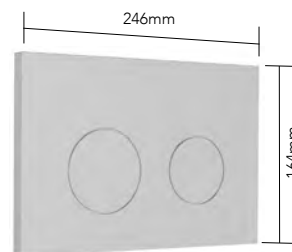
V677-TM
V677EXT-TM



V677-TMB
V677EXT-TMB

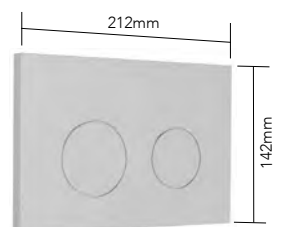
FITTING / APPROVALS	FINISH	V677	EXT
	CP	€312	€444
	PN	€334	€490
Handle length: 77mm	SSF/NL/BG	€360	€502
Spindle length: V677 = 109mm	BGG/BGM	€384	€552
V677EXT = 296mm	ABM/CTB/CNB	€418	€598
	AG	€432	€608

V171 WC Dual flush plate to suit Geberit Sigma concealed cistern



FINISH	PRICE
CP	€1,922
PN	€2,002
SSF/NL/BG	€2,070
BGG/BGM	€2,112
ABM/CTB/CNB	€2,138
AG	€2,274

V172 WC Dual flush plate to suit Geberit Omega concealed cistern

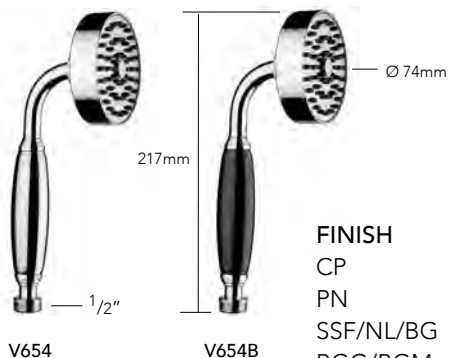


FINISH	PRICE
CP	€1,922
PN	€2,002
SSF/NL/BG	€2,070
BGG/BGM	€2,112
ABM/CTB/CNB	€2,138
AG	€2,274

STYLE MODERNE Bath wastes and ancillaries

V654 Easy clean hand shower

For WRAS approved versions order V654W or V654BW



V654

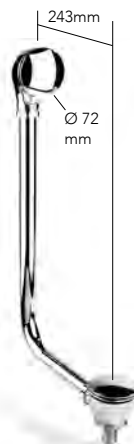
V654B



FINISH	PRICE
CP	€420
PN	€454
SSF/NL/BG	€478
BGG/BGM	€514
ABM/CTB/CNB	€562
AG	€574

V197 Bath click-clack waste with overflow for freestanding baths

An extended version for baths with a central waste is available.



Waste: 1 1/2"

FINISH		Extended version
CP	€400	€582
PN	€442	€642
SSF/NL/BG	€460	€670
BGG/BGM	€592	€728
ABM/CTB/CNB	€562	€786
AG	€562	€816

V195 Low P trap for freestanding bath



FITTING / APPROVALS

Waste: 1 1/2"

FINISH	PRICE
CP	€134
PN	€166
SSF/NL/BG	€192
AG	€202

V392 1 1/2" Bath click-clack waste, slotted V392-UNS 1 1/2" Bath click-clack waste, unslotted



V392



V392-UNS

FINISH	V392	V392-UNS
CP	€138	€138
PN	€146	€146
SSF/NL/BG	€164	€164
BGG/BGM	€174	€174
ABM/CTB/CNB	€240	€240
AG	€192	€192

VA65 1 1/2" Combined bath waste and overflow with metal plug and chain



FITTING / APPROVALS

Waste: 1 1/2"

FINISH	PRICE
CP	€164
PN	€180
SSF/NL/BG	€250
BGG/BGM	€250
ABM/CTB/CNB	€278
AG	€228

V299 Bidet spray

We recommend the use of a flow control with this bidet spray



FITTING / APPROVALS

Feed: 1/2"



FINISH	PRICE
CP	€348
PN	€384
SSF/NL/BG	€478
BGG/BGM	€598
ABM/CTB/CNB	€718
AG	€488

VA66 1 1/2" Auto pop-up waste

VA67 1 1/2" Auto pop-up waste, extended for large baths



VA66 - 640mm
VA67 - 1295mm

FITTING / APPROVALS

Waste: 1 1/2"

FINISH	VA66	VA67
CP	€292	€322
PN	€322	€352
SSF/NL/BG	€334	€368
BGG/BGM	€366	€400
ABM/CTB/CNB	€394	€430
AG	€408	€446

V666-SPR Bidet spray

We recommend the use of a flow control with this bidet spray



FITTING / APPROVALS

Feed: 1/2"



FINISH	PRICE
CP	€526
PN	€646
SSF/NL/BG	€668
BGG/BGM	€718
ABM/CTB/CNB	€752
AG	€752



Exposed thermostatic shower with gloss black chrome controls also bath/shower mixer on standpipes both in stainless steel finish

Image courtesy of The Newt Hotel, Somerset

STYLE MODERNE Shower

V6K6 Exposed 1/2" thermostatic shower set

Example shown here is V6K6XM9 with metal cross top, metal levers and V663 easy clean shower head



FITTING / APPROVALS

Feeds: 1/2"

Centres: 147mm - 190mm

*Height extensions are available,
please contact our sales office.*



*The V640 thermostatic valve
is WRAS approved*

STYLE MODERNE Shower



V6K6XM9



V6K6XMB9



V6K6XX9



V6K6XXB9



V6K6MM9



V6K6MMB9

FINISH	PRICE
CP	€6,698
PN	€7,356
SSF/NL/BG	€7,672
BGG/BGM	€8,340
ABM/CTB/CNB	€8,982
AG	€9,316



CP
Chrome
plate



PN
Polished
nickel



SSF
Stainless steel
finish



NL
Non lacquered
brass



BG
Brushed
gold



BGG
Brushed
gold gloss
lacquered



BGM
Brushed gold
matt lacquered



ABM
Antique
brass matt
lacquered



CTB
City bronze



CNB
Country
bronze



AG
Antique
gold

STYLE MODERNE Shower

V6K6 Exposed 1/2" thermostatic shower set

QUILTED



V6K6CCQ9



V6K6BCQ9

RADIANT



V6K6CCR9



V6K6BCR9

FITTING / APPROVALS

Feeds: 1/2"

Centres: 147mm - 190mm

*Height extensions are available,
please contact our sales office.*



*The V640 thermostatic valve
is WRAS approved*

FINISH	PRICE
CP	€7,208
PN	€7,932
SSF/NL/BG	€8,292
BGG/BGM	€9,018
ABM/CTB/CNB	€9,732
AG	€10,088

LUXE



V6K6DL9

FINISH	PRICE
CP	€7,342
PN	€8,068
SSF/NL/BG	€8,426
BGG/BGM	€9,150
ABM/CTB/CNB	€9,864
AG	€10,222



CP
Chrome
plate



PN
Polished
nickel



SSF
Stainless steel
finish



NL
Non lacquered
brass



BG
Brushed
gold



BGG
Brushed
gold gloss
lacquered



BGM
Brushed gold
matt lacquered



ABM
Antique
brass matt
lacquered



CTB
City bronze



CNB
Country
bronze



AG
Antique
gold

STYLE MODERNE Shower

V6K7 Exposed 1/2" thermostatic shower set

Example shown here is V6K7XM9 with cross top, metal lever and V663 easy clean shower head



FITTING / APPROVALS

Feeds: 1/2"

Centres: 147mm - 190mm

*Height extensions are available,
please contact our sales office.*



*The V640 thermostatic valve
is WRAS approved*

STYLE MODERNE Shower



V6K7XM9



V6K7XMB9



V6K7XX9



V6K7XXB9



V6K7MM9



V6K7MMB9

FINISH	PRICE
CP	€4,910
PN	€5,386
SSF/NL/BG	€5,624
BGG/BGM	€6,102
ABM/CTB/CNB	€6,576
AG	€6,818



CP
Chrome
plate



PN
Polished
nickel



SSF
Stainless steel
finish



NL
Non lacquered
brass



BG
Brushed
gold



BGG
Brushed
gold gloss
lacquered



BGM
Brushed gold
matt lacquered



ABM
Antique
brass matt
lacquered



CTB
City bronze



CNB
Country
bronze



AG
Antique
gold

STYLE MODERNE Shower

V6K7 Exposed 1/2" thermostatic shower set

QUILTED



V6K7CCQ9



V6K7BCQ9

RADIANT



V6K7CCR9



V6K7BCR9

FITTING / APPROVALS

Feeds: 1/2"

Centres: 147mm - 190mm

*Height extensions are available,
please contact our sales office.*



*The V640 thermostatic valve
is WRAS approved*

FINISH	PRICE
CP	€5,352
PN	€5,876
SSF/NL/BG	€6,126
BGG/BGM	€6,650
ABM/CTB/CNB	€7,174
AG	€7,438

LUXE



V6K7DL9

FINISH	PRICE
CP	€5,352
PN	€5,876
SSF/NL/BG	€6,126
BGG/BGM	€6,650
ABM/CTB/CNB	€7,174
AG	€7,438



CP
Chrome
plate



PN
Polished
nickel



SSF
Stainless steel
finish



NL
Non lacquered
brass



BG
Brushed
gold



BGG
Brushed
gold gloss
lacquered



BGM
Brushed gold
matt lacquered



ABM
Antique
brass matt
lacquered



CTB
City bronze



CNB
Country
bronze

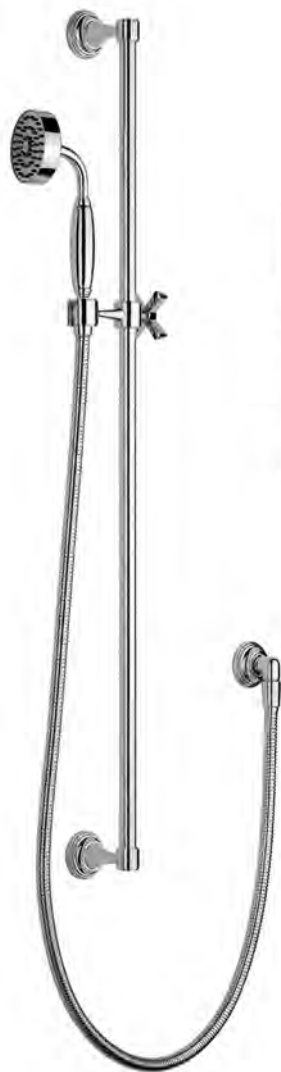


AG
Antique
gold

STYLE MODERNE Shower

V6B1 Concealed thermostatic shower, 2 flow controls

Example shown here is V6B1XM9 with cross top, metal lever and V663 easy clean shower head. Requires V135-IS concealed valve



V6B1XM9



V6B1XMB9



V6B1XX9



V6B1XXB9

FITTING / APPROVALS

Projection of valve: Max 109mm
Extension kits are available

FINISH	PRICE
CP	€4,590
PN	€5,026
SSF/NL/BG	€5,236
BGG/BGM	€5,686
ABM/CTB/CNB	€6,126
AG	€6,356



CP
Chrome plate



PN
Polished nickel



SSF
Stainless steel finish



NL
Non lacquered brass



BG
Brushed gold



BGG
Brushed gold gloss lacquered



BGM
Brushed gold matt lacquered



ABM
Antique brass matt lacquered



CTB
City bronze



CNB
Country bronze



AG
Antique gold

STYLE MODERNE Shower

QUILTED



V6B1CCQ9



V6B1BCQ9

RADIANT



V6B1CCR9



V6B1BCR9

LUXE



V6B1DL9

FINISH	PRICE
CP	€5,276
PN	€5,786
SSF/NL/BG	€6,036
BGG/BGM	€6,560
ABM/CTB/CNB	€7,070
AG	€7,322

V135-IS Concealed thermostatic valve - rough

Requires V6B1. This valve has 2 controlled outlets which can operate simultaneously.

ROUGH

€952

FITTING / APPROVALS

Feeds: 1/2"

Fitting depth: Min 108mm - Max 119mm from finished tiled surface to rear of fixing, when used with V6B1.

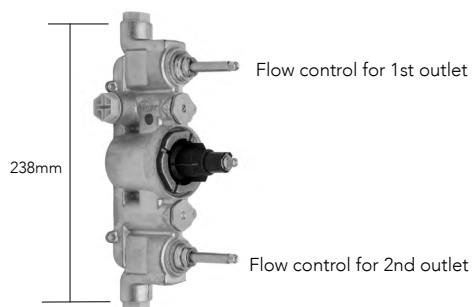
Extension kits are available V135-EXT adding 25mm to fitting depth. If necessary more than one extension kit can be used.

FLOW RATES

0.5 bar 12.0 l/min

3.0 bar 32.0 l/min

Flow can be limited eg. for BREEAM



STYLE MODERNE Shower

V6B2 Concealed thermostatic shower, 2 flow controls

Example shown here is V6B2XM9 with cross top, metal lever and V663 easy clean shower head. Requires V135-IS concealed valve.



V6B2XM9



V6B2XMB9



V6B2XX9



V6B2XXB9

FITTING / APPROVALS

Projection of valve: Max 109mm
Extension kits are available

FINISH

FINISH	PRICE
CP	€3,934
PN	€4,310
SSF/NL/BG	€4,488
BGG/BGM	€4,866
ABM/CTB/CNB	€5,246
AG	€5,440



CP
Chrome
plate



PN
Polished
nickel



SSF
Stainless steel
finish



NL
Non lacquered
brass



BG
Brushed
gold



BGG
Brushed
gold gloss
lacquered



BGM
Brushed gold
matt lacquered



ABM
Antique
brass matt
lacquered



CTB
City bronze



CNB
Country
bronze



AG
Antique
gold

STYLE MODERNE Shower

QUILTED



V6B2CCQ9



V6B2BCQ9

RADIANT



V6B2CCR9



V6B2BCR9

LUXE



V6B2DL9

FINISH	PRICE
CP	€4,586
PN	€5,026
SSF/NL/BG	€5,238
BGG/BGM	€5,690
ABM/CTB/CNB	€6,126
AG	€6,356

V135-IS Concealed thermostatic valve - rough

Requires V6B2. This valve has 2 controlled outlets which can operate simultaneously.

ROUGH

€952

FITTING / APPROVALS

Feeds: 1/2"

Fitting depth: Min 108mm - Max 119mm from finished tiled surface to rear of fixing, when used with V6B2.

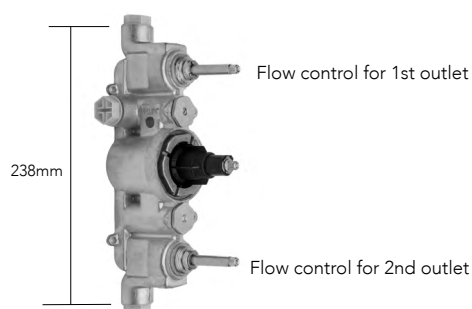
Extension kits are available V135-EXT adding 25mm to fitting depth. If necessary more than one extension kit can be used.

FLOW RATES

0.5 bar 12.0 l/min

3.0 bar 32.0 l/min

Flow can be limited eg. for BREEAM



STYLE MODERNE Shower

V600-T2 Trim set for V133-IS thermostatic valve

Requires V133-IS



FINISH	PRICE
CP	€900
PN	€986
SSF/NL/BG	€1,036
BGG/BGM	€1,120
ABM/CTB/CNB	€1,216
AG	€1,254

QUILTED



V600-T2CCQ

V600-T2BCQ

RADIANT



V600-T2CCR

V600-T2BCR

LUXE



V600-T2L

V600-T2D

FITTING / APPROVALS

Projection: Max 81mm-90mm
Options: V607 Flow control

FINISH	PRICE
CP	€1,022
PN	€1,120
SSF/NL/BG	€1,180
BGG/BGM	€1,280
ABM/CTB/CNB	€1,374
AG	€1,424

V133-IS Concealed thermostatic valve - rough

Requires V600-T2. This valve has 2 open outlets. Use V607 for each.

ROUGH

€552

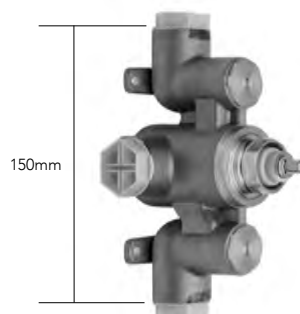
FITTING / APPROVALS

Feeds: 3/4"

Fitting depth: Min 74mm - Max 83mm
from finished tiled surface to rear of fixing,
when used with V600-T2 trim.

Extension kits are available V133-EXT
adding 25mm to fitting depth. If necessary
more than one extension kit can be used.

Further outlets can be configured.



FLOW RATES

0.5 bar 12.0 l/min
3.0 bar 32.0 l/min

Flow can be limited
eg. for BREEAM



CP
Chrome
plate

PN
Polished
nickel

SSF
Stainless steel
finish

NL
Non lacquered
brass

BG
Brushed
gold

BGG
Brushed
gold gloss
lacquered

BGM
Brushed gold
matt lacquered

ABM
Antique
brass matt
lacquered

CTB
City bronze

CNB
Country
bronze

AG
Antique
gold

STYLE MODERNE Shower

V607-T Trim set for V607-IS flow control

Requires V607-IS



V607-TM

V607-TMB

V607-TX

V607-TXB

FINISH	PRICE
CP	€440
PN	€478
SSF/NL/BG	€498
BGG/BGM	€552
ABM/CTB/CNB	€584
AG	€610

QUILTED



V607-TCCQ

V607-TBCQ

RADIANT



V607-TCCR

V607-TBCR

LUXE



V607-TL

V607-TD

FITTING / APPROVALS

Projection: Max 105mm

FINISH	PRICE
CP	€646
PN	€706
SSF/NL/BG	€742
BGG/BGM	€804
ABM/CTB/CNB	€862
AG	€900

V607-IS Concealed flow control - rough

Requires V607-T

ROUGH

€160

FITTING / APPROVALS

Feeds: 3/4"

Fitting depth: Min 38.5 - Max 50.5mm from finished tiled surface to centre, when used with V607-T.



FLOW RATES

0.1 bar 22.2 l/min

3.0 bar 34.2 l/min

Flow can be limited eg. for BREEAM

Extension kits are available V607-EXT adding 25mm to fitting depth. If necessary more than one extension kit can be used.



CP
Chrome plate

PN
Polished nickel

SSF
Stainless steel finish

NL
Non lacquered brass

BG
Brushed gold

BGG
Brushed gold gloss lacquered

BGM
Brushed gold matt lacquered

ABM
Antique brass matt lacquered

CTB
City bronze

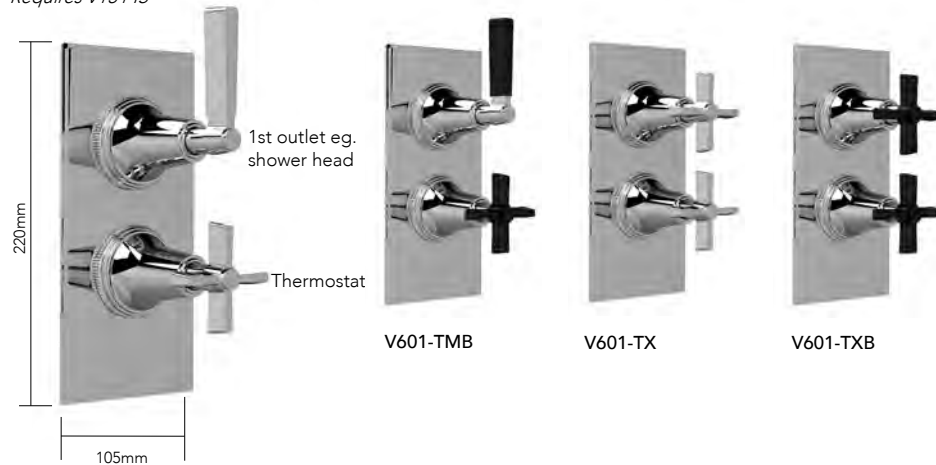
CNB
Country bronze

AG
Antique gold

STYLE MODERNE Shower

V601-T Trim set for V134-IS thermostatic valve

Requires V134-IS



FINISH	PRICE
CP	€1,302
PN	€1,438
SSF/NL/BG	€1,496
BGG/BGM	€1,616
ABM/CTB/CNB	€1,752
AG	€1,812

V601-TM

QUILTED



V601-TCCQ

V601-TBCQ

RADIANT



V601-TCCR

V601-TBCR

LUXE



V601-TL

FITTING / APPROVALS

Projection: Max 109mm

FINISH	PRICE
CP	€1,778
PN	€1,946
SSF/NL/BG	€2,042
BGG/BGM	€2,212
ABM/CTB/CNB	€2,394
AG	€2,482

V134-IS Concealed thermostatic valve - rough

Requires V601-T. This valve has 1 controlled outlet

ROUGH

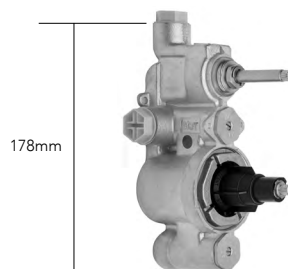
€712

FITTING / APPROVALS

Feeds: 1/2"

Fitting depth: Min 108mm - Max 119mm
from finished tiled surface to rear of fixing,
when used with V601-T.

Extension kits are available V134-EXT
adding 25mm to fitting depth. If necessary
more than one extension kit can be used.



FLOW RATES

0.5 bar 10.0 l/min

3.0 bar 29.6 l/min

Flow can be limited
eg. for BREEAM



CP
Chrome
plate

PN
Polished
nickel

SSF
Stainless steel
finish

NL
Non lacquered
brass

BG
Brushed
gold

BGG
Brushed
gold gloss
lacquered

BGM
Brushed gold
matt lacquered

ABM
Antique
brass matt
lacquered

CTB
City bronze

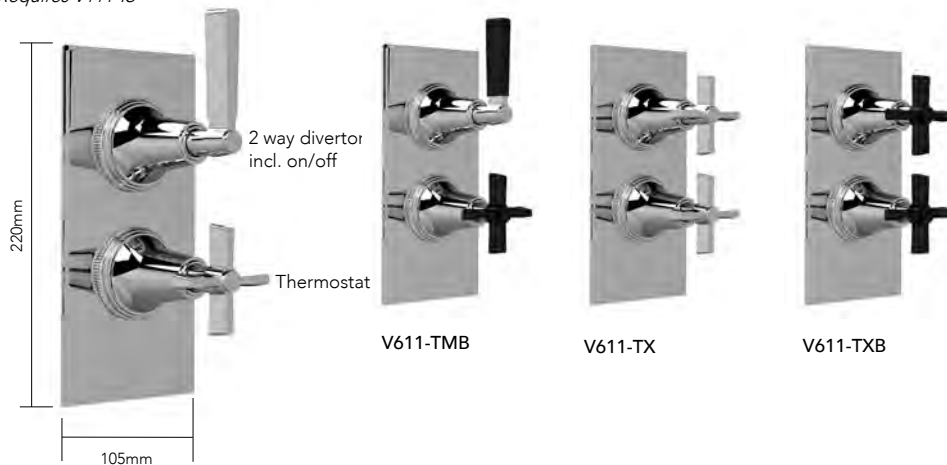
CNB
Country
bronze

AG
Antique
gold

STYLE MODERNE Shower

V611-T Trim set for V111-IS thermostatic valve

Requires V111-IS



FINISH	PRICE
CP	€1,302
PN	€1,438
SSF/NL/BG	€1,496
BGG/BGM	€1,616
ABM/CTB/CNB	€1,752
AG	€1,812

V611-TM

QUILTED



V611-TCCQ

V611-TBCQ

RADIANT



V611-TCCR

V611-TBCR

LUXE



V611-TL

FITTING / APPROVALS

Projection: Max 109mm

FINISH	PRICE
CP	€1,888
PN	€1,984
SSF/NL/BG	€2,040
BGG/BGM	€2,274
ABM/CTB/CNB	€2,444
AG	€2,506

V111-IS Concealed thermostatic valve - rough

Requires V611-T. This valve has a two way divertor

ROUGH

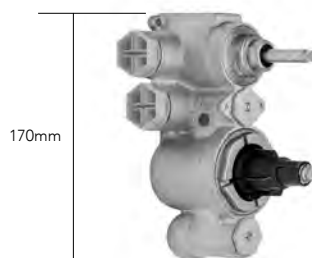
€788

FITTING / APPROVALS

Feeds: 1/2"

Fitting depth: Min 72mm - Max 83mm
from finished tiled surface to rear of fixing,
when used with V611-T.

Extension kits are available V111-EXT
adding 25mm to fitting depth. If necessary
more than one extension kit can be used.



FLOW RATES

0.5 bar 10.0 l/min
3.0 bar 29.6 l/min
Flow can be limited
eg. for BREEAM



CP
Chrome
plate

PN
Polished
nickel

SSF
Stainless steel
finish

NL
Non lacquered
brass

BG
Brushed
gold

BGG
Brushed
gold gloss
lacquered

BGM
Brushed gold
matt lacquered

ABM
Antique
brass matt
lacquered

CTB
City bronze

CNB
Country
bronze

AG
Antique
gold

Concealed thermostatic shower
with slider rail and body jets also bath/shower
mixer on standpipes both in antique gold

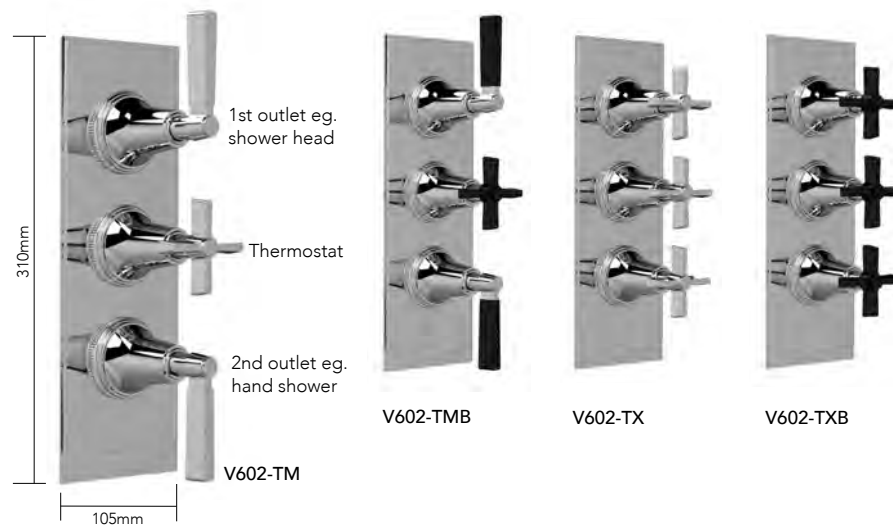
Image courtesy of Alexander Naranjo



STYLE MODERNE Shower

V602-T Trim set for V135-IS thermostatic valve - 2 separate flow controls

Requires V135-IS



Horizontally mounted versions are also available for the V602. Please add an "H" to the end of the code when ordering for this variant.

FINISH	PRICE
CP	€1,798
PN	€1,970
SSF/NL/BG	€2,068
BGG/BGM	€2,236
ABM/CTB/CNB	€2,420
AG	€2,504

QUILTED



V602-TCCQ

V602-TBCQ

RADIANT



V602-TCCR

V602-TBCR

LUXE



V602-TL

FITTING / APPROVALS

Projection: Max 109mm

FINISH	PRICE
CP	€2,504
PN	€2,750
SSF/NL/BG	€2,880
BGG/BGM	€3,124
ABM/CTB/CNB	€3,380
AG	€3,502

V135-IS Concealed thermostatic valve - rough

Requires V602-T. This valve has 2 controlled outlets which can operate simultaneously.

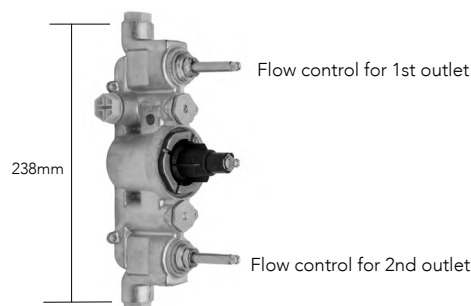
ROUGH

€952

FITTING / APPROVALS

Feeds: 1/2"

Fitting depth: Min 108mm - Max 119mm from finished tiled surface to rear of fixing, when used with V602-T.



FLOW RATES

0.5 bar 12.0 l/min
3.0 bar 32.0 l/min

Flow can be limited eg. for BREEAM



Extension kits are available V135-EXT adding 25mm to fitting depth. If necessary more than one extension kit can be used.



CP
Chrome plate

PN
Polished nickel

SSF
Stainless steel finish

NL
Non lacquered brass

BG
Brushed gold

BGG
Brushed gold gloss lacquered

BGM
Brushed gold matt lacquered

ABM
Antique brass matt lacquered

CTB
City bronze

CNB
Country bronze

AG
Antique gold

STYLE MODERNE Shower

V603-T Trim set for V132-IS thermostatic valve - 2-way diverter with flow control

Requires V132-IS



310mm

105mm

V603-TM

2-way diverter incl. on/off

Thermostat

3rd outlet eg. body jets

V603-TMB

V603-TX

V603-TXB

Horizontally mounted versions are also available for the V603. Please add an "H" to the end of the code when ordering for this variant.

FINISH	PRICE
CP	€1,798
PN	€1,970
SSF/NL/BG	€2,068
BGG/BGM	€2,236
ABM/CTB/CNB	€2,420
AG	€2,504

QUILTED

RADIANT

LUXE



V603-TCCQ

V603-TBCQ

V603-TCCR

V603-TBCR

V603-TL

FINISH	PRICE
CP	€2,504
PN	€2,750
SSF/NL/BG	€2,880
BGG/BGM	€3,124
ABM/CTB/CNB	€3,380
AG	€3,502

FITTING / APPROVALS

Projection: Max 109mm

V132-IS Concealed thermostatic valve - rough

Requires V603-T. This valve has a two-way diverter plus an extra controlled outlet giving 3 options

ROUGH

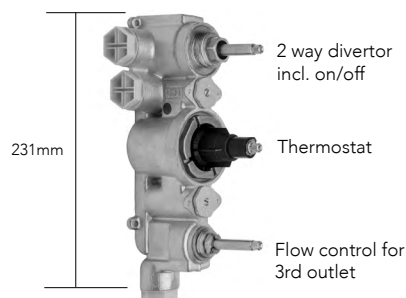
€1,048

FITTING / APPROVALS

Feeds: 3/4"

Fitting depth: Min 72mm - Max 82mm from finished tiled surface to rear of fixing, when used with V603-T.

Extension kits are available V132-EXT adding 25mm to fitting depth. If necessary more than one extension kit can be used.



FLOW RATES

0.5 bar 15.0 l/min
3.0 bar 40.5 l/min
Flow can be limited eg. for BREEAM

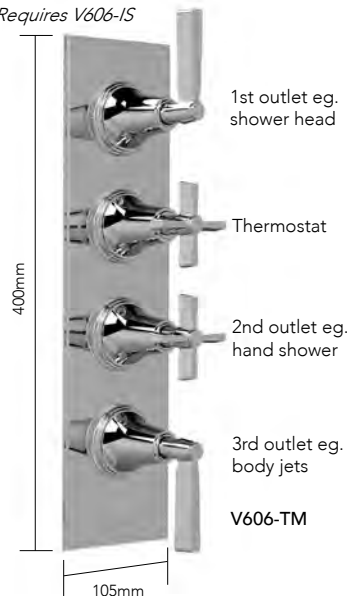



CP Chrome plate	PN Polished nickel	SSF Stainless steel finish	NL Non lacquered brass	BG Brushed gold	BGG Brushed gold gloss lacquered	BGM Brushed gold matt lacquered	ABM Antique brass matt lacquered	CTB City bronze	CNB Country bronze	AG Antique gold
--------------------	-----------------------	-------------------------------	---------------------------	--------------------	-------------------------------------	------------------------------------	-------------------------------------	--------------------	-----------------------	--------------------

STYLE MODERNE Shower

V606-T Trim set for V606-IS thermostatic valve

Requires V606-IS



V606-TMB



V606-TX



V606-TXB

FINISH	PRICE
CP	€2,140
PN	€2,360
SSF/NL/BG	€2,468
BGG/BGM	€2,676
ABM/CTB/CNB	€2,890
AG	€2,990

QUILTED



V606-TCCQ

V606-TBCQ

RADIANT



V606-TCCR

V606-TBCR

LUXE



V606-TL

FINISH	PRICE
CP	€3,100
PN	€3,402
SSF/NL/BG	€3,560
BGG/BGM	€3,864
ABM/CTB/CNB	€4,180
AG	€4,326

FITTING / APPROVALS

Projection: Max 109mm

Options: V607 Flow control

V606-IS Concealed thermostatic valve - rough

Requires V606-T. This valve has 3 controlled outlets and 1 open outlet giving 4 options, which can operate simultaneously. Open outlet requires V607 if used

ROUGH

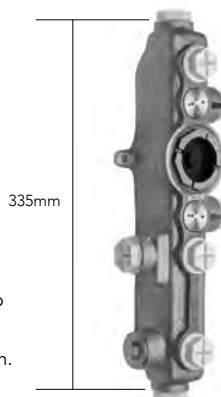
€1,364

FITTING / APPROVALS

Feeds: 3/4"

Fitting depth: Min 72mm - Max 84mm from finished tiled surface to rear of fixing, when used with V606T.

Extension kits are available V606-EXT adding 25mm to fitting depth. If necessary more than one extension kit can be used.



FLOW RATES

0.5 bar 12.0 l/min

3.0 bar 33.0 l/min

Flow can be limited eg. for BREEAM



CP
Chrome
plate

PN
Polished
nickel

SSF
Stainless steel
finish

NL
Non lacquered
brass

BG
Brushed
gold

BGG
Brushed
gold gloss
lacquered

BGM
Brushed gold
matt lacquered

ABM
Antique
brass matt
lacquered

CTB
City bronze

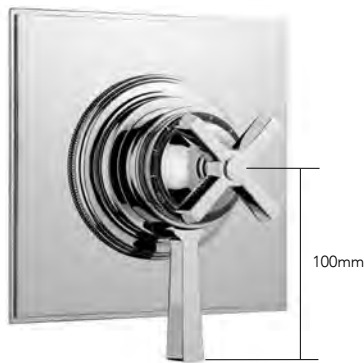
CNB
Country
bronze

AG
Antique
gold

STYLE MODERNE Shower

V661-T Trim set for V161-IS

Requires V161-IS



V661-TXM



V661-TXMB

FINISH	PRICE
CP	€1,676
PN	€1,838
SSF/NL/BG	€1,926
BGG/BGM	€2,088
ABM/CTB/CNB	€2,254
AG	€2,340

LUXE



V661-TDL

FITTING / APPROVALS

Projection: Max 108mm
Options: V668 3 way diverter

FINISH	PRICE
CP	€2,156
PN	€2,368
SSF/NL/BG	€2,478
BGG/BGM	€2,692
ABM/CTB/CNB	€2,904
AG	€3,012

V161-IS Dual control 1/2" thermostatic valve - rough

Requires V661-T

ROUGH

€1,360

FITTING / APPROVALS

Feeds: 1/2"

Fitting depth: Min 81mm - Max 93mm
from finished tiled surface to rear of fixing,
when used with V661-T.

Extension kits are available.



FLOW RATES

0.5 bar 8.5 l/min

3.0 bar 21.2 l/min

Flow can be limited

eg. for BREEAM



CP
Chrome
plate

PN
Polished
nickel

SSF
Stainless steel
finish

NL
Non lacquered
brass

BG
Brushed
gold

BGG
Brushed
gold gloss
lacquered

BGM
Brushed gold
matt lacquered

ABM
Antique
brass matt
lacquered

CTB
City bronze

CNB
Country
bronze

AG
Antique
gold

STYLE MODERNE Shower

V668-T Trim set for V168-IS concealed 3 way diverter

Requires V168-IS



V668-TM



V668-TMB



V668-TX



V668-TXB

FINISH	PRICE
CP	€866
PN	€478
SSF/NL/BG	€478
BGG/BGM	€538
ABM/CTB/CNB	€802
AG	€604

QUILTED



V668-TCCQ



V668-TBCQ



V668-TCCR



V668-TBCR

LUXE



V668-TL



V668-TD

FITTING / APPROVALS

Projection: Max 90mm



FINISH	PRICE
CP	€640
PN	€714
SSF/NL/BG	€740
BGG/BGM	€802
ABM/CTB/CNB	€864
AG	€904

V168-IS Concealed 3-way diverter rough

Requires V668-T

- One inlet, three outlets (one can be closed off)

ROUGH

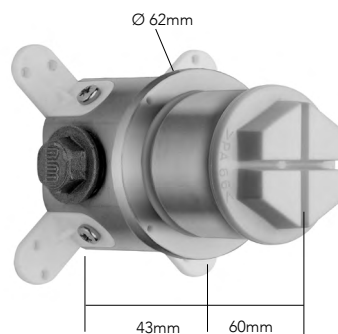
€452

FITTING / APPROVALS

Inlet & outlets: 1/2"

Fitting depth: Min 79.5mm - Max 90mm from finished tiled surface to rear of fixing, when used with V668-T.

Can be used for deck mounting providing the unit is supported sufficiently.



FLOW RATES

0.1 bar 6.4 l/min

1.0 bar 20.4 l/min

3.0 bar 37.2 l/min

Flow can be limited

eg. for BREEAM



CP
Chrome
plate

PN
Polished
nickel

SSF
Stainless steel
finish

NL
Non lacquered
brass

BG
Brushed
gold

BGG
Brushed
gold gloss
lacquered

BGM
Brushed gold
matt lacquered

ABM
Antique
brass matt
lacquered

CTB
City bronze

CNB
Country
bronze

AG
Antique
gold

STYLE MODERNE Shower

V662 1/2" Overhead shower arm





FITTING / APPROVALS	FINISH	PRICE
Feed: 1/2" Max installation depth: 56.5mm Projection: 401mm  For WRAS approved version order V662W.	CP	€610
	PN	€670
	SSF/NL/BG	€694
	BGG/BGM	€766
	ABM/CTB/CNB	€824
	AG	€846

V663 200mm easy clean shower head

For swivel ball joint order V987



FITTING / APPROVALS	FINISH	PRICE
Feed: 1/2"  	CP	€562
	PN	€610
	SSF/NL/BG	€634
	BGG/BGM	€694
	ABM/CTB/CNB	€754
	AG	€776

For WRAS approved version order V663W.

V669, S, -EXT 1/2" Ceiling tube for shower head

For WRAS approved version order V669W



- V669-EXT extension piece can replace the 153mm tube to give a 50mm projection for fitting close to ceiling
- More than one V669-EXT extension piece can be used



FITTING / APPROVALS	FINISH	V669	V669-S	V669-EXT
	CP	€304	€204	€98
	PN	€322	€216	€96
	SSF/NL/BG	€334	€230	€110
	BGG/BGM	€370	€250	€122
	ABM/CTB/CNB	€396	€278	€120
	AG	€408	€276	€134

For WRAS approved version order V669W.

V163 200mm shower head

FITTING / APPROVALS



FITTING / APPROVALS	FINISH	PRICE
Feed: 1/2"  	CP	€504
	PN	€552
	NL	-



For WRAS approved version order V163W.

V665 300mm easy clean shower head

For swivel ball joint order V987

Due to its weight this product is best used with a ceiling tube, or the wall mounted shower arms V262, V662, V762, and T162; the pipework and shower arms must be rigidly secured. If used with exposed pipework additional support brackets will be required.




FITTING / APPROVALS	FINISH	PRICE
Feed: 1/2"  	CP	€1,028
	PN	€1,122
	SSF/NL/BG	€1,184
	BGG/BGM	€1,276
	ABM/CTB/CNB	€1,382
	AG	€1,432

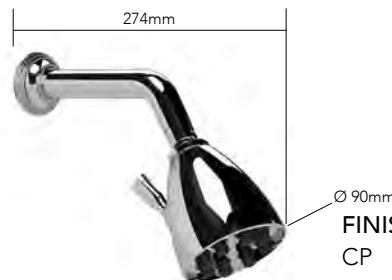
For WRAS approved version order V665W.

V679 Adjustable, 6-jet easy clean shower head



FITTING / APPROVALS	FINISH	PRICE
Feed: 1/2" 	CP	€644
	PN	€706
	SSF/NL/BG	€704
	BGG/BGM	€788
	ABM/CTB/CNB	€810
	AG	€896

V679-8 Adjustable, 8-jet easy clean shower head




FITTING / APPROVALS	FINISH	PRICE
Feed: 1/2" 	CP	€692
	PN	€740
	SSF/NL/BG	€742
	BGG/BGM	€836
	ABM/CTB/CNB	€836
	AG	€932

STYLE MODERNE Shower

V666 Combined wall outlet / bracket



FITTING / APPROVALS	FINISH	PRICE
Feed: 1/2" 	CP	€184
	PN	€204
	SSF/NL/BG	€204
	BGG/BGM	€230
	ABM/CTB/CNB	€240
	AG	€250

V276 Body jet (high flow)



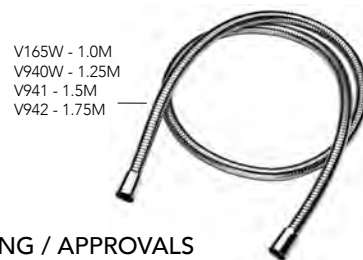
FITTING / APPROVALS	FINISH	PRICE
Feed: 1/2" FLOW RATES 1.0 bar 9.3 l/min 3.0 bar 14.4 l/min	CP	€362
	PN	€416
	SSF/NL/BG	€416
	BGG/BGM	€452
	ABM/CTB/CNB	€520
	AG	€508

V664 Wall outlet



FITTING / APPROVALS	FINISH	PRICE
Feed: 1/2"  For WRAS approved version order V664W.	CP	€156
	PN	€184
	SSF/NL/BG	€184
	BGG/BGM	€204
	ABM/CTB/CNB	€216
	AG	€218

V165W, V940W, V941, V942 Hoses



FITTING / APPROVALS
Feeds: 1/2"



For WRAS approved versions order V165W, V940W, V941W or V942W.

V283 Angle bracket



FITTING / APPROVALS	FINISH	PRICE
Feed: 1/2"	CP	€162
	PN	€178
	SSF/NL/BG	€188
	BGG/BGM	€204
	ABM/CTB/CNB	€218
	AG	€228

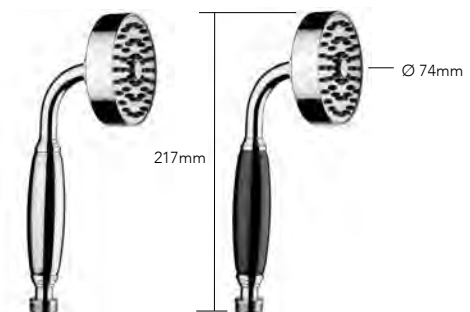
	V165W	V940W	V941	V942
CP	€92	€92	€98	€110
PN	€100	€100	€98	€120
SSF/NL/BG	€104	€104	€134	€146
BGG/BGM	€114	€114	€168	€182
ABM/CTB/CNB	€120	€120	€266	€276
AG	€124	€124	€182	€192

V680 Bath boss for hand shower



FINISH	PRICE
CP	€194
PN	€204
SSF/NL/BG	€218
BGG/BGM	€240
ABM/CTB/CNB	€250
AG	€266

V654 Easy clean hand shower



V654

V654B

V667 Wall bracket



FINISH	PRICE
CP	€240
PN	€264
SSF/NL/BG	€278
BGG/BGM	€302
ABM/CTB/CNB	€324
AG	€334

FITTING / APPROVALS

Feed: 1/2"



For WRAS approved versions order V654W or V654BW

FINISH	PRICE
CP	€420
PN	€454
SSF/NL/BG	€478
BGG/BGM	€514
ABM/CTB/CNB	€562
AG	€574

STYLE MODERNE Shower

V299 Bidet spray

We recommend the use of a flow control with this bidet spray



FITTING / APPROVALS

Feed: 1/2"



FINISH

FINISH	PRICE
CP	€348
PN	€384
SSF/NL/BG	€478
BGG/BGM	€598
ABM/CTB/CNB	€718
AG	€488

V666-SPR Bidet spray

We recommend the use of a flow control with this bidet spray



FITTING / APPROVALS

Feed: 1/2"



FINISH

FINISH	PRICE
CP	€526
PN	€646
SSF/NL/BG	€668
BGG/BGM	€718
ABM/CTB/CNB	€752
AG	€752

V670-KIT Slider rail kit



FITTING / APPROVALS

Feed: 1/2"

FINISH

FINISH	PRICE
CP	€1,550
PN	€1,706
SSF/NL/BG	€1,788
BGG/BGM	€1,946
ABM/CTB/CNB	€2,098
AG	€2,170

V670 Slider rail



FINISH

FINISH	PRICE
CP	€896
PN	€980
SSF/NL/BG	€1,028
BGG/BGM	€1,112
ABM/CTB/CNB	€1,204
AG	€1,254

V670-KIT (as illustrated)

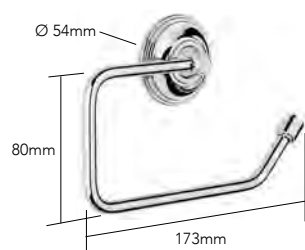
V670-KITB (handle and cross top in gloss black chrome finish)

V670-X (as illustrated)

V670-XB (cross top in gloss black chrome finish)

STYLE MODERNE Accessories

N6637 Paper holder



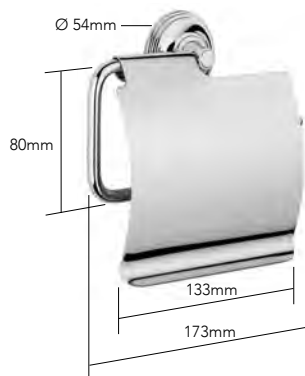
FINISH	PRICE
CP	€182
PN	€192
SSF/NL/BG	€204
BGG/BGM	€216
ABM/CTB/CNB	€228
AG	€240

N6648 Robe hook



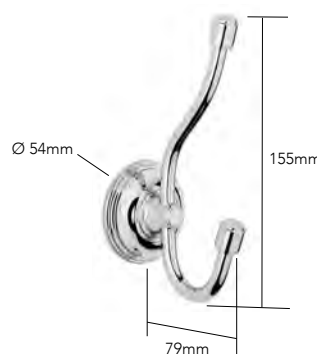
FINISH	PRICE
CP	€166
PN	€184
SSF/NL/BG	€182
BGG/BGM	€202
ABM/CTB/CNB	€218
AG	€230

N6637-C Paper holder



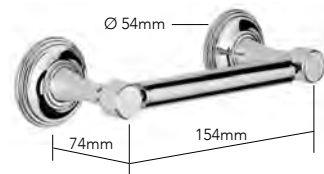
FINISH	PRICE
CP	€276
PN	€314
SSF/NL/BG	€324
BGG/BGM	€350
ABM/CTB/CNB	€372
AG	€396

N6639 Double robe hook



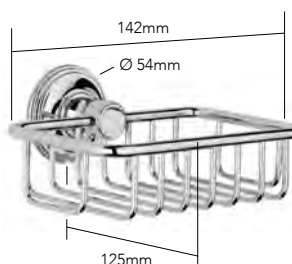
FINISH	PRICE
CP	€202
PN	€230
SSF/NL/BG	€240
BGG/BGM	€252
ABM/CTB/CNB	€276
AG	€286

N6652 Paper holder



FINISH	PRICE
CP	€334
PN	€370
SSF/NL/BG	€384
BGG/BGM	€420
ABM/CTB/CNB	€454
AG	€468

N6630 Soap basket



FINISH	PRICE
CP	€240
PN	€264
SSF/NL/BG	€278
BGG/BGM	€302
ABM/CTB/CNB	€324
AG	€334

N6631 Spare paper holder



FINISH	PRICE
CP	€238
PN	€266
SSF/NL/BG	€276
BGG/BGM	€302
ABM/CTB/CNB	€324
AG	€334

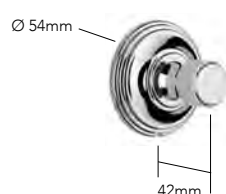
N6698-6, N6698-8 Towel ring



FINISH	PRICE
CP	€120
PN	€134
SSF/NL/BG	€146
BGG/BGM	€156
ABM/CTB/CNB	€166
AG	€168

FINISH	N6698-6	-8
CP	€182	€206
PN	€204	€216
SSF/NL/BG	€216	€228
BGG/BGM	€228	€252
ABM/CTB/CNB	€252	€264
AG	€250	€278

N6632 Robe hook



STYLE MODERNE Accessories

N6634B Soap holder - black ceramic



N6634W Soap holder - white ceramic



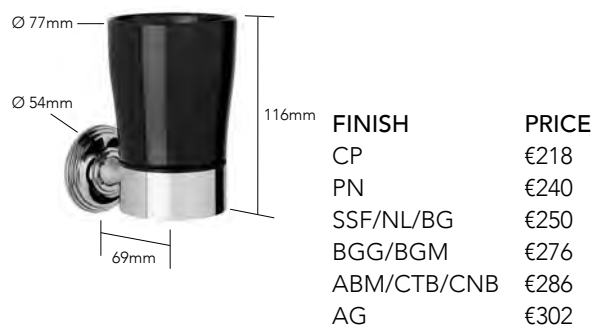
N6647B Liquid soap dispenser - black ceramic



N6647W Liquid soap dispenser - white ceramic



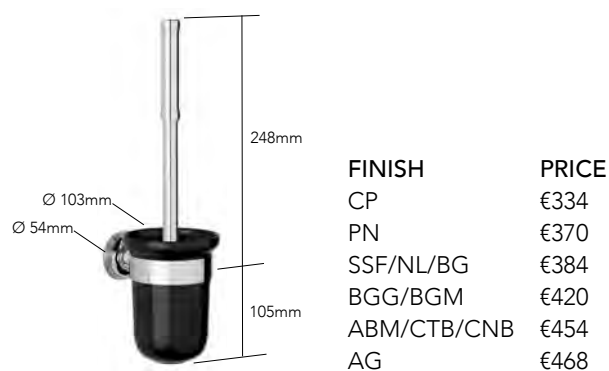
N6635B Tumbler holder - black ceramic



N6635W Tumbler holder - white ceramic



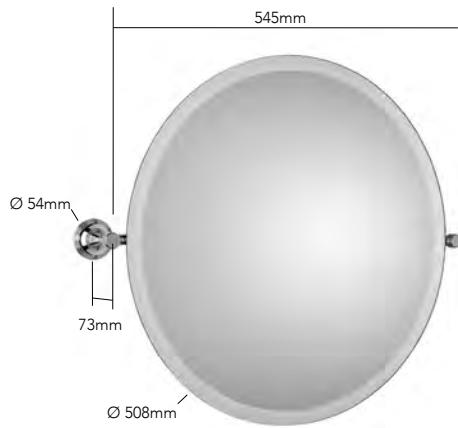
N6649B Wall mounted toilet brush - black ceramic



N6649W Wall mounted toilet brush - white ceramic

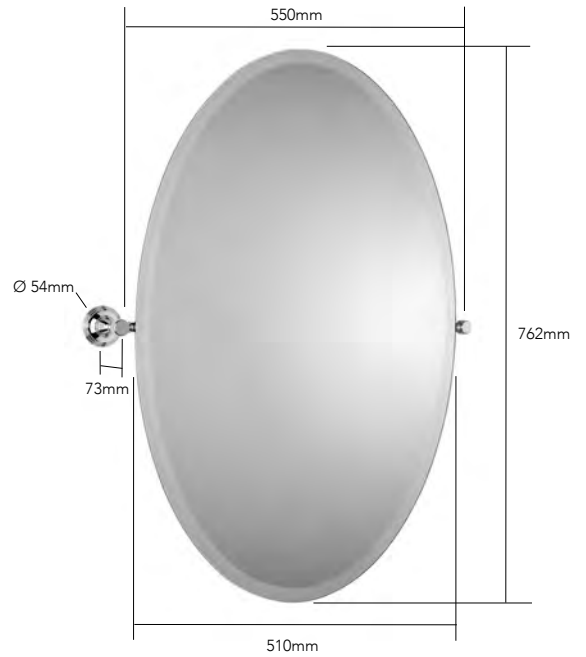


L6745 Tilting mirror



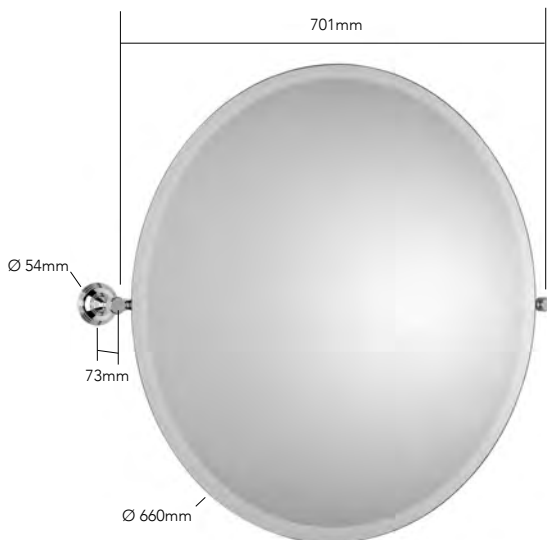
FINISH	PRICE
CP	€646
PN	€718
SSF/NL/BG	€742
BGG/BGM	€810
ABM/CTB/CNB	€870
AG	€908

L6746-XL Tilting mirror



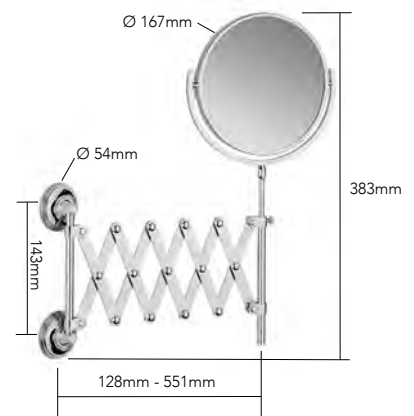
FINISH	PRICE
CP	€836
PN	€918
SSF/NL/BG	€966
BGG/BGM	€1,048
ABM/CTB/CNB	€1,138
AG	€1,168

L6745-XL Tilting mirror



FINISH	PRICE
CP	€834
PN	€918
SSF/NL/BG	€964
BGG/BGM	€1,048
ABM/CTB/CNB	€1,138
AG	€1,168

L6708 Extending mirror, plain/magnifying (x5)



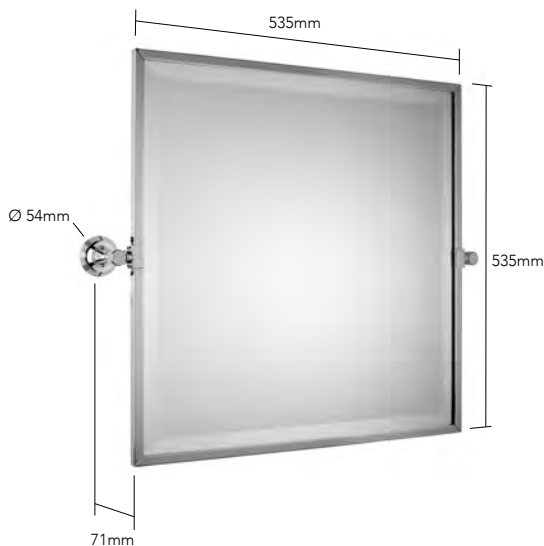
FINISH	PRICE
CP	€1,002
PN	€1,100
SSF/NL/BG	€1,146
BGG/BGM	€1,254
ABM/CTB/CNB	€1,336
AG	€1,358

L6743-C Framed mirror



FINISH	PRICE
CP	€1,382
PN	€1,516
SSF/NL/BG	€1,586
BGG/BGM	€1,730
ABM/CTB/CNB	€1,860
AG	€1,932

L6749 Framed bevelled tilting mirror



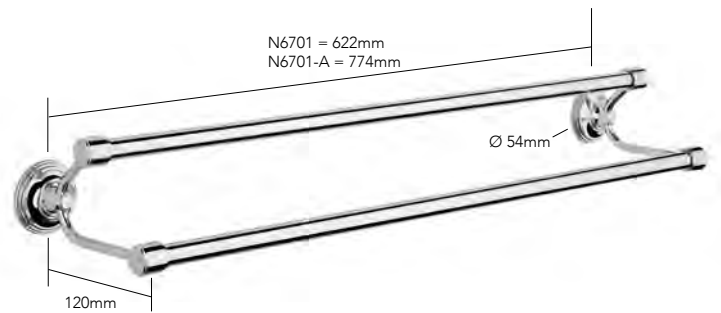
FINISH	PRICE
CP	€1,302
PN	€1,418
SSF/NL/BG	€1,492
BGG/BGM	€1,622
ABM/CTB/CNB	€1,752
AG	€1,814

N6655, A Towel rail



FINISH	N6655	-A
CP	€386	€386
PN	€418	€432
SSF/NL/BG	€432	€442
BGG/BGM	€478	€490
ABM/CTB/CNB	€516	€526
AG	€526	€538

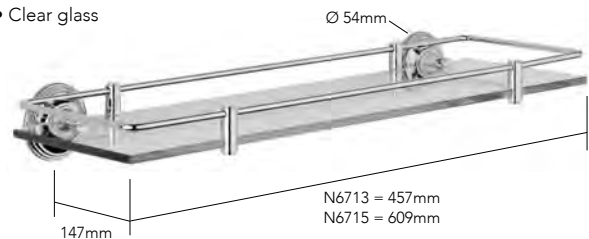
N6701, A Double towel rail



FINISH	N6701	-A
CP	€502	€516
PN	€562	€564
SSF/NL/BG	€584	€584
BGG/BGM	€636	€646
ABM/CTB/CNB	€682	€692
AG	€704	€714

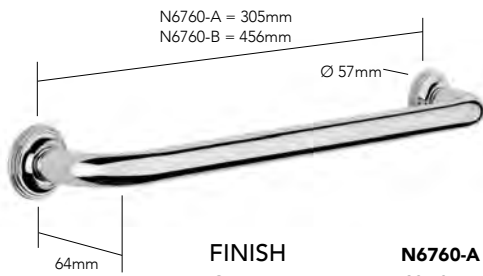
N6713, N6715 Glass shelf with fixed rail

- Clear glass



FINISH	N6713	N6715
CP	€468	€514
PN	€514	€574
SSF/NL/BG	€540	€598
BGG/BGM	€586	€644
ABM/CTB/CNB	€634	€694
AG	€660	€728

N6760-A, B Grab Rail



FINISH	N6760-A -B	
CP	€358	€386
PN	€396	€420
SSF/NL/BG	€420	€442
BGG/BGM	€454	€478
ABM/CTB/CNB	€490	€514
AG	€502	€538

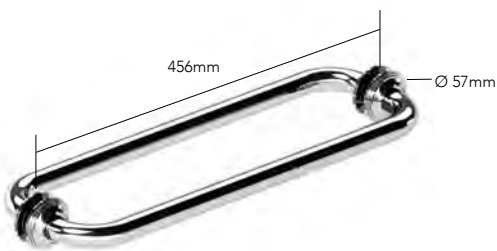
N6763 Back to back shower door knobs

Suitable for glass fixing, up to 28mm thickness



FINISH	PRICE
CP	€498
PN	€546
SSF/NL/BG	€570
BGG/BGM	€620
ABM/CTB/CNB	€668
AG	€696

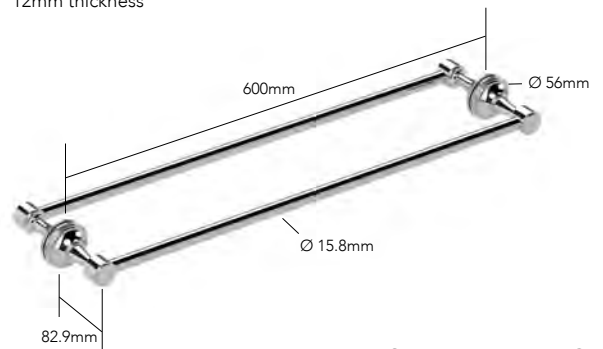
N6761-B Grab Rail with back-to-back fixing for shower doors



FINISH	PRICE
CP	€872
PN	€954
SSF/NL/BG	€1,002
BGG/BGM	€1,086
ABM/CTB/CNB	€1,166
AG	€1,218

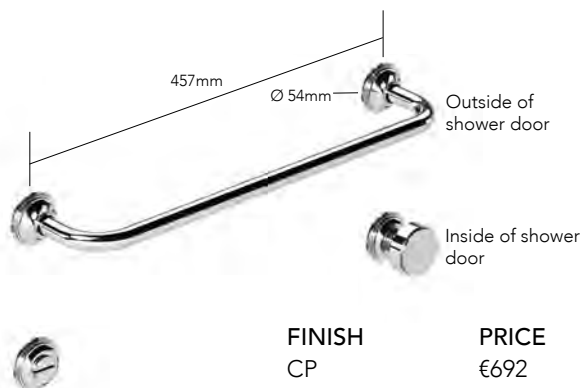
N6766 Back to back shower door rail, 600mm

Suitable for glass fixing, up to 12mm thickness



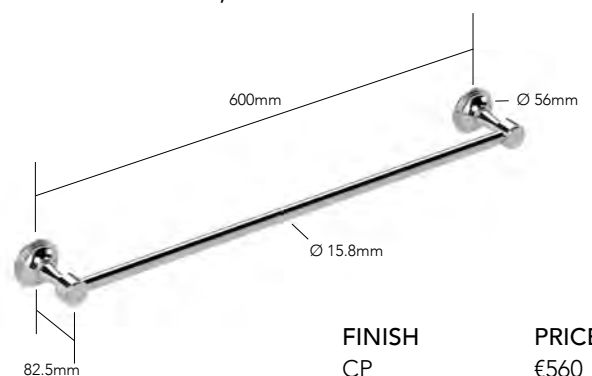
FINISH	PRICE
CP	€1,196
PN	€1,316
SSF/NL/BG	€1,374
BGG/BGM	€1,494
ABM/CTB/CNB	€1,614
AG	€1,674

N6762-B Shower door Rail



FINISH	PRICE
CP	€692
PN	€766
SSF/NL/BG	€802
BGG/BGM	€862
ABM/CTB/CNB	€932
AG	€966

N6767 Towel Rail, 600mm



FINISH	PRICE
CP	€560
PN	€616
SSF/NL/BG	€644
BGG/BGM	€700
ABM/CTB/CNB	€754
AG	€782

Basin mixer with gloss black chrome controls with accessories in stainless steel finish

Image courtesy of The Newt Hotel, Somerset



STYLE MODERNE Freestanding accessories

N6664B Soap holder - black ceramic



FINISH	PRICE
CP	€240
PN	€264
SSF/NL/BG	€278
BGG/BGM	€286
ABM/CTB/CNB	€314
AG	€324

N6664W Soap holder - white ceramic



FINISH	PRICE
CP	€240
PN	€264
SSF/NL/BG	€278
BGG/BGM	€286
ABM/CTB/CNB	€314
AG	€324

N6666B Liquid soap dispenser - black ceramic



FINISH	PRICE
CP	€288
PN	€314
SSF/NL/BG	€324
BGG/BGM	€360
ABM/CTB/CNB	€384
AG	€396

N6666W Liquid soap dispenser - white ceramic



FINISH	PRICE
CP	€288
PN	€314
SSF/NL/BG	€324
BGG/BGM	€360
ABM/CTB/CNB	€384
AG	€396

N6665B Tumbler holder - black ceramic



FINISH	PRICE
CP	€218
PN	€240
SSF/NL/BG	€250
BGG/BGM	€276
ABM/CTB/CNB	€286
AG	€302

N6665W Tumbler holder - white ceramic



FINISH	PRICE
CP	€218
PN	€240
SSF/NL/BG	€250
BGG/BGM	€276
ABM/CTB/CNB	€286
AG	€302

3 Hole basin mixers with wooden controls in non-lacquered brass





Fairfield

Fairfield taps, showers and bathroom accessories are a balanced combination of the diverse formal design influences of the Arts and Crafts and Aesthetic Movements which flourished between 1880 and 1910. The careful proportioning of Fairfield also reflects the qualities inspired by the era whilst design options are enhanced by a choice of cross-top controls or levers available in crystal, wood, ceramic or metal.

Fairfield

BASIN AND BIDET



V2K08 /
V2K10



V2K09



V2K19



V2K14 / V2K15



V2K11



V2K16



V2K17



V2K13

BATH



V2K30 / V2K31 also available as a
wall mounted option - V2K32 / V2K33



V2K38



V2K47



V2K48



V2K42



W.C.



V171
V172



V277

SHOWER



V200



V207



Rough only

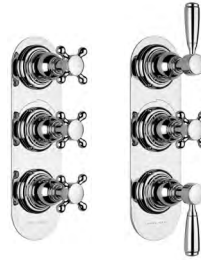


V201

V211



V201 Rough only

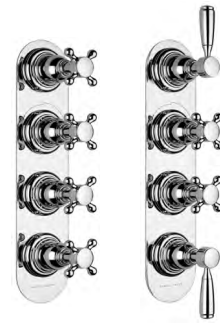


V202

V203



V202 Rough only



V206



Rough only



V261



V2K1 / V2K6



Thermostatic valve only



V2K2 / V2K7



Thermostatic valve only



V2K4



V2B1



Rough only



V2B2



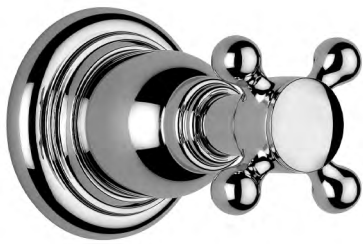
Rough only

The Fairfield collection is available to approved, displaying dealers only
Includes brassware for low pressure gravity fed systems and water saving measures.
For accessories see pages 477 - 478

Fairfield Control options



Gloss black
chrome lever - **GBC**



Cross top - **X**



Metal lever - **M**



Ceramic lever - **C**



Wood lever - **W**
Please see website for colour representation

Fairfield Crystal control options

Organic Crystal



Clear organic crystal lever - **GC**



Black organic crystal lever - **GB**

Geometric Crystal



Clear geometric crystal lever - **SC**



Black geometric crystal lever - **SB**

Wall mounted basin mixer with metal levers in city bronze

Image courtesy of Richard Lankester Design Consultants



Fairfield Basin

V2K08, V2K10 Single lever mixer for small basin

V2K08 with pop-up waste, V2K10 without pop-up waste



V2K08M
metal lever



V2K08C
ceramic lever



V2K08GBC
gloss black chrome lever



V2K08W
wooden lever

FINISH	V2K08	V2K10
CP	€1,146	€1,064
PN	€1,254	€1,168
SSF/NL/BG	€1,314	€1,218
BGG/BGM	€1,432	€1,324
ABM/CTB/CNB	€1,538	€1,432
AG	€1,600	€1,478

Organic Crystal



V2K08GC
clear crystal lever



V2K08GB
black crystal lever

Note: The geometric crystal lever is too large for V2K08 or V2K10, please use V2K09

FITTING / APPROVALS

Feeds: 1/2"

Max deck thickness: 40mm

Max drill hole: Ø 48mm



FLOW RATES

0.5 bar	4.5 l/min
1.0 bar	6.4 l/min
3.0 bar	11.6 l/min

Flow can be limited
eg. for BREEAM



FINISH	V2K08	V2K10
CP	€1,338	€1,254
PN	€1,468	€1,384
SSF/NL/BG	€1,538	€1,444
BGG/BGM	€1,668	€1,560
ABM/CTB/CNB	€1,798	€1,696
AG	€1,872	€1,752



CP
Chrome
plate

PN
Polished
nickel

SSF
Stainless steel
finish

NL
Non lacquered
brass

BG
Brushed
gold

BGG
Brushed
gold gloss
lacquered

BGM
Brushed gold
matt lacquered

ABM
Antique
brass matt
lacquered

CTB
City bronze

CNB
Country
bronze

AG
Antique
gold

Fairfield Basin

V2K09 Single lever basin mixer with pop-up waste



V2K09M
metal lever



V2K09C
ceramic lever



V2K09GBC
gloss black chrome lever



V2K09W
wooden lever

FINISH	PRICE
CP	€1,312
PN	€1,442
SSF/NL/BG	€1,516
BGG/BGM	€1,644
ABM/CTB/CNB	€1,776
AG	€1,834

Organic Crystal



V2K09GC
clear crystal lever



V2K09GB
black crystal lever



V2K09SC
clear crystal lever



V2K09SB
black crystal lever

Geometric Crystal

FITTING / APPROVALS

Feeds: 15mm x 240mm
copper tails
Max deck thickness: 40mm
Max drill hole: Ø 43mm



FLOW RATES

0.1 bar	3.7 l/min
1.0 bar	13.3 l/min
3.0 bar	23.8 l/min

Flow can be limited
eg. for BREEAM



FINISH

FINISH	PRICE
CP	€1,516
PN	€1,658
SSF/NL/BG	€1,732
BGG/BGM	€1,898
ABM/CTB/CNB	€2,038
AG	€2,110



CP Chrome plate	PN Polished nickel	SSF Stainless steel finish	NL Non lacquered brass	BG Brushed gold	BGG Brushed gold gloss lacquered	BGM Brushed gold matt lacquered	ABM Antique brass matt lacquered	CTB City bronze	CNB Country bronze	AG Antique gold
-----------------------	--------------------------	----------------------------------	------------------------------	-----------------------	---	---------------------------------------	---	--------------------	--------------------------	-----------------------

Fairfield Bidet

V2K19 Single lever bidet mixer with pop-up waste



V2K19M
metal lever



V2K19C
ceramic lever



V2K19GBC
gloss black chrome lever



V2K19W
wooden lever

FINISH	PRICE
CP	€1,372
PN	€1,512
SSF/NL/BG	€1,588
BGG/BGM	€1,714
ABM/CTB/CNB	€1,848
AG	€1,918

Organic Crystal



V2K19GC
clear crystal lever



V2K19GB
black crystal lever

Geometric Crystal



V2K19SC
clear crystal lever



V2K19SB
black crystal lever

FITTING / APPROVALS

Feeds: 1/2" x 350mm
flexi hoses
Max deck thickness: 40mm
Max drill hole: Ø 43mm



FLOW RATES

0.5 bar	5.0 l/min
1.0 bar	7.3 l/min
3.0 bar	13.4 l/min

Flow can be limited
eg. for BREEAM



FINISH	PRICE
CP	€1,574
PN	€1,730
SSF/NL/BG	€1,800
BGG/BGM	€1,968
ABM/CTB/CNB	€2,112
AG	€2,194



CP
Chrome plate



PN
Polished nickel



SSF
Stainless steel finish



NL
Non lacquered brass



BG
Brushed gold



BGG
Brushed gold gloss lacquered



BGM
Brushed gold matt lacquered



ABM
Antique brass matt lacquered



CTB
City bronze



CNB
Country bronze

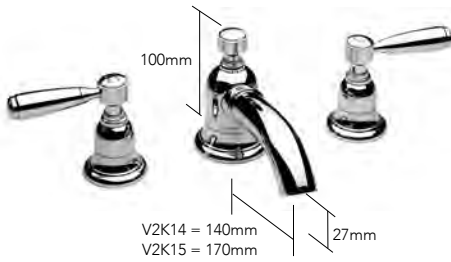


AG
Antique gold

Fairfield Basin

V2K14, V2K15 3 hole basin filler with pop-up waste

V2K15 with extended spout



V2K14M
metal levers



V2K14C
ceramic levers



V2K14GBC
gloss black
chrome levers



V2K14W
wooden levers



V2K14X
cross tops



FINISH	V2K14M	V2K14M	V2K15M	V2K15M
	With PUW	No PUW	With PUW	No PUW
CP	€1,668	€1,636	€1,704	€1,684
PN	€1,818	€1,818	€1,856	€1,830
SSF/NL/BG	€1,898	€1,914	€1,978	€2,012
BGG/BGM	€2,190	€2,098	€2,266	€2,260
ABM/CTB/CNB	€2,328	€2,310	€2,418	€2,410
AG	€2,420	€2,382	€2,496	€2,490

Organic Crystal



V2K14GC
clear crystal levers



V2K14GB
black crystal levers



V2K14SC
clear crystal levers



V2K14SB
black crystal levers

Geometric Crystal

FITTING / APPROVALS

Feeds: 1/2"
Max deck thickness: 30mm
Max drill hole: Ø 30mm - side valve
Max drill hole: Ø 37.5mm - spout



Without pop-up waste: order eg. V2K14MNP

FLOW RATES

0.1 bar	5.5 l/min
1.0 bar	19.4 l/min
3.0 bar	36.2 l/min

Flow can be limited
eg. for BREEAM



FINISH

FINISH	V2K14M	V2K14M	V2K15M	V2K15M
	With PUW	No PUW	With PUW	No PUW
CP	€2,110	€2,074	€2,146	€1,706
PN	€2,310	€2,278	€2,360	€2,302
SSF/NL/BG	€2,420	€2,384	€2,456	€2,394
BGG/BGM	€2,632	€2,598	€2,684	€2,610
ABM/CTB/CNB	€2,836	€2,802	€2,884	€2,812
AG	€2,944	€2,896	€2,992	€2,920



CP
Chrome
plate



PN
Polished
nickel



SSF
Stainless steel
finish



NL
Non lacquered
brass



BG
Brushed
gold



BGG
Brushed gold
gloss
lacquered



BGM
Brushed gold
matt lacquered



ABM
Antique
brass matt
lacquered



CTB
City bronze



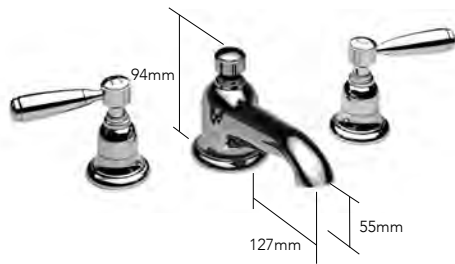
CNB
Country
bronze



AG
Antique
gold

Fairfield Basin

V2K11 3 hole basin filler with pop-up waste



V2K11M
metal levers



V2K11C
ceramic levers



V2K11GBC
gloss black
chrome levers



V2K11W
wooden levers



V2K11X
cross tops



FINISH	With PUW	No PUW
CP	€1,700	€1,692
PN	€1,894	€1,852
SSF/NL/BG	€1,974	€1,990
BGG/BGM	€2,240	€2,260
ABM/CTB/CNB	€2,348	€2,243
AG	€2,468	€2,448

Organic Crystal



V2K11GC
clear crystal levers



V2K11GB
black crystal levers



V2K11SC
clear crystal levers



V2K11SB
black crystal levers

Geometric Crystal

FITTING / APPROVALS

Feeds: 1/2"
Max deck thickness: 40mm
Max drill hole: Ø 30mm - side valve
Max drill hole: Ø 40mm - spout

FLOW RATES

0.5 bar	1.7 l/min
1.0 bar	2.8 l/min
3.0 bar	4.0 l/min

Flow can be limited
eg. for BREEAM



Without pop-up waste: order eg. V2K11MNP

FINISH

FINISH	With PUW	No PUW
CP	€2,146	€2,012
PN	€2,362	€2,218
SSF/NL/BG	€2,466	€2,314
BGG/BGM	€2,682	€2,514
ABM/CTB/CNB	€2,894	€2,716
AG	€3,004	€2,812



CP
Chrome
plate



PN
Polished
nickel



SSF
Stainless steel
finish



NL
Non lacquered
brass



BG
Brushed
gold



BGG
Brushed gold
gloss
lacquered



BGM
Brushed gold
matt lacquered



ABM
Antique
brass matt
lacquered



CTB
City bronze



CNB
Country
bronze



AG
Antique
gold

Fairfield Basin

V2K16 3 hole basin filler with pop-up waste



V2K16M
metal levers



V2K16C
ceramic levers



V2K16GBC
gloss black
chrome levers



V2K16W
wooden levers



V2K16X
cross tops

FINISH	With PUW	No PUW
CP	€1,632	€1,614
PN	€1,792	€1,792
SSF/NL/BG	€1,874	€1,902
BGG/BGM	€2,120	€2,088
ABM/CTB/CNB	€2,290	€2,288
AG	€3,374	€2,372

Organic Crystal



V2K16GC
clear crystal levers



V2K16GB
black crystal levers



V2K16SC
clear crystal levers



V2K16SB
black crystal levers

FITTING / APPROVALS

Feeds: 1/2"
Max deck thickness: 40mm
Max drill hole: Ø 30mm - side valve
Max drill hole: Ø 37.5mm - spout



Without pop-up waste: order eg. V2K16MNP

FLOW RATES

0.5 bar	15.0 l/min
1.0 bar	21.8 l/min
3.0 bar	41.0 l/min

Flow can be limited
eg. for BREEAM



FINISH

FINISH	With PUW	No PUW
CP	€2,074	€2,038
PN	€2,288	€2,240
SSF/NL/BG	€2,384	€2,348
BGG/BGM	€2,596	€2,550
ABM/CTB/CNB	€2,802	€2,754
AG	€2,908	€2,862



CP
Chrome
plate



PN
Polished
nickel



SSF
Stainless steel
finish



NL
Non lacquered
brass



BG
Brushed
gold



BGG
Brushed gold
gloss
lacquered



BGM
Brushed gold
matt lacquered



ABM
Antique
brass matt
lacquered



CTB
City bronze



CNB
Country
bronze



AG
Antique
gold

Fairfield Basin

V2K17 Wall mounted basin filler, trim set

requires V118-IS or V218-IS



V2K17M
metal levers



V2K17C
ceramic levers



V2K17GBC
gloss black
chrome levers



V2K17W
wooden levers



V2K17X
cross tops

FINISH	PRICE
CP	€1,372
PN	€1,502
SSF/NL/BG	€1,574
BGG/BGM	€1,716
ABM/CTB/CNB	€1,836
AG	€1,908

Organic Crystal



V2K17GC
clear crystal levers



V2K17GB
black crystal levers



V2K17SC
clear crystal levers



V2K17SB
black crystal levers

Geometric Crystal

FITTING / APPROVALS

Requires V118-IS or V218-IS rough



FLOW RATES

0.5 bar	10.7 l/min
1.0 bar	15.2 l/min
3.0 bar	27.8 l/min

Flow can be limited
eg. for BREEAM



FINISH

FINISH	PRICE
CP	€1,742
PN	€1,918
SSF/NL/BG	€2,002
BGG/BGM	€2,182
ABM/CTB/CNB	€2,346
AG	€2,446

V118-IS or V218-IS Roughs

FITTING / APPROVALS

Feeds: 3/4" female with adaptor
for 1/2" female
Fitting depth: Min 59mm



V118-IS



V218-IS



V118-IS-XX
V218-IS-XX

€400
€400



CP
Chrome
plate



PN
Polished
nickel



SSF
Stainless steel
finish



NL
Non lacquered
brass



BG
Brushed
gold



BGG
Brushed
gold gloss
lacquered



BGM
Brushed gold
matt lacquered



ABM
Antique
brass matt
lacquered



CTB
City bronze



CNB
Country
bronze



AG
Antique
gold

Fairfield Ancillaries

V192 1 1/4" Basin click-clack waste

For free-flow please order V192-FF

Unslotted also available V192-UNS



FINISH	PRICE
CP	€96
PN	€146
SSF/NL/BG	€146
BGG/BGM	€156
ABM/CTB/CNB	€168
AG	€166

V193 1 1/4" Basin bottle trap

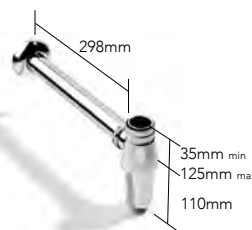
500mm extension tube available, order V193-500



FINISH	V193	V193-500 Tube only
CP	€276	€182
PN	€306	€200
SSF/NL/BG	€318	€206
BGG/BGM	€370	€234
ABM/CTB/CNB	€370	€242
AG	€386	€252

VA63-X 1 1/4" Basin bottle trap

500mm extension tube available, order VA63-500



FINISH	VA63-X	VA63-500 Tube only
CP	€130	€132
PN	€242	€240
SSF/NL/BG	€266	€264
BGG/BGM	€334	€334
ABM/CTB/CNB	€406	€406
AG	€360	€362

VA60 1 1/4" Basin waste with metal plug, chain and stay



Chain length: 280mm

Waste: 1 1/4" BSP

FINISH	PRICE
CP	€132
PN	€144
SSF/NL	€150
AG	€184

VA72 Tap hole stopper - drilled



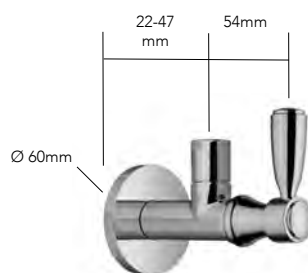
FINISH	PRICE
CP	€98
PN	€112
SSF/NL/BG	€114
BGG/BGM	€124
ABM/CTB/CNB	€134
AG	€136

V293 Optional aerator for high pressure systems



XX	€34
----	-----

V290 Angle valve



V290-M



V290-X

FITTING / APPROVALS

Feed: 1/2"
Outlet: 3/8" or 10mm

FINISH	PRICE
CP	€228
PN	€248
SSF/NL/BG	€274
BGG/BGM	€294
ABM/CTB/CNB	€322
AG	€332

V986-300 300mm Tube



FINISH	PRICE
CP	€92
PN	€98
SSF/NL/BG	€102
BGG/BGM	€110
ABM/CTB/CNB	€120
AG	€124

V986-500 500mm Tube

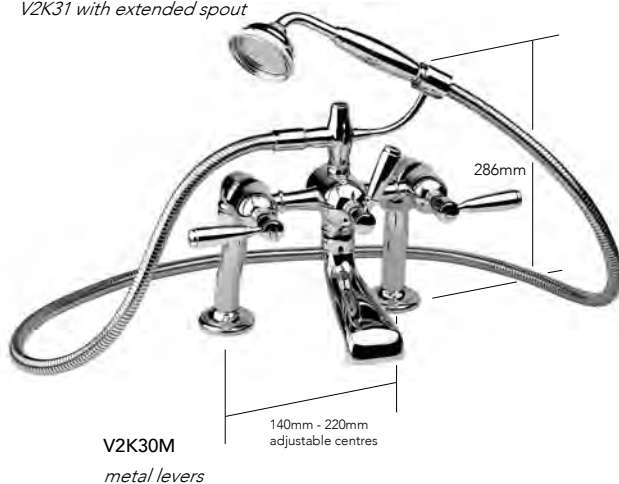


FINISH	PRICE
CP	€122
PN	€132
SSF/NL/BG	€140
BGG/BGM	€150
ABM/CTB/CNB	€162
AG	€172

Fairfield Bath

V2K30, V2K31 Deck mounted bath / shower mixer

V2K31 with extended spout



V2K30C
ceramic levers



V2K30GBC
gloss black
chrome levers



V2K30W
wooden levers



V2K30X
cross tops

FINISH	V2K30	V2K31
CP	€3,416	€4,098
PN	€3,766	€4,504
SSF/NL/BG	€4,098	€4,718
BGG/BGM	€4,456	€5,122
ABM/CTB/CNB	€4,802	€5,694
AG	€4,980	€5,730

Organic Crystal



V2K30GC
clear crystal levers



V2K30GB
black crystal levers

Geometric Crystal



V2K30SC
clear crystal levers



V2K30SB
black crystal levers

FITTING / APPROVALS

Feeds: 3/4"

Spout length V2K30: 185 - 228mm

Spout length V2K31: 252 - 292mm

Max deck thickness: 35mm

Max drill hole: Ø 30mm

Standpipes: If required on standpipes please order adaptor V230-ADAP (supplied free of charge)



FLOW RATES

0.5 bar 21.3 l/min

1.0 bar 31.0 l/min

3.0 bar 54.4 l/min



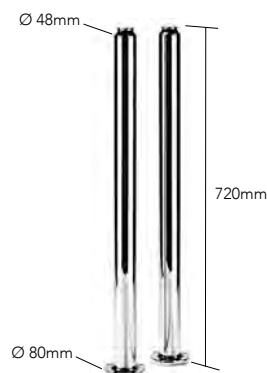
FINISH

FINISH	V2K30	V2K31
CP	€4,158	€4,694
PN	€4,572	€5,172
SSF/NL/BG	€4,792	€5,396
BGG/BGM	€5,196	€5,874
ABM/CTB/CNB	€5,610	€6,504
AG	€5,826	€6,578

V238 Standpipes for bath/shower mixers

FITTING / APPROVALS

WRAS approval pending



FINISH

FINISH	PRICE
CP	€1,668
PN	€1,836
SSF/NL/BG	€1,918
BGG/BGM	€2,086
ABM/CTB/CNB	€2,254
AG	€2,326



CP
Chrome
plate



PN
Polished
nickel



SSF
Stainless steel
finish



NL
Non lacquered
brass



BG
Brushed
gold



BGG
Brushed
gold gloss
lacquered



BGM
Brushed gold
matt lacquered



ABM
Antique
brass matt
lacquered



CTB
City bronze



CNB
Country
bronze

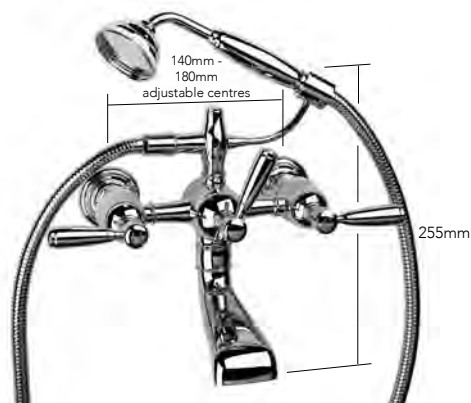


AG
Antique
gold

Fairfield Bath

V2K32, V2K33 Wall mounted bath / shower mixer

V2K33 with extended spout



V2K32M
metal levers



V2K32C
ceramic levers



V2K32GBC
gloss black
chrome levers



V2K32W
wooden levers



V2K32X
cross tops

FINISH	V2K32	V2K33
CP	€3,338	€3,528
PN	€3,668	€3,874
SSF/NL/BG	€3,838	€4,052
BGG/BGM	€4,170	€4,408
ABM/CTB/CNB	€4,502	€4,756
AG	€4,672	€4,934

Organic Crystal



V2K32GC
clear crystal levers



V2K32GB
black crystal levers

Geometric Crystal



V2K32SC
clear crystal levers



V2K32SB
black crystal levers

FITTING / APPROVALS

Feeds: 3/4"

Spout length V2K32: 209mm from wall

Spout length V2K33: 276mm from wall



FLOW RATES

0.5 bar 23.4 l/min

1.0 bar 34.0 l/min

3.0 bar 60.0 l/min



FINISH

FINISH	V2K32	V2K33
CP	€3,944	€4,124
PN	€4,338	€4,542
SSF/NL/BG	€4,526	€4,740
BGG/BGM	€4,932	€5,160
ABM/CTB/CNB	€5,314	€5,564
AG	€5,516	€5,768



CP
Chrome
plate



PN
Polished
nickel



SSF
Stainless steel
finish



NL
Non lacquered
brass



BG
Brushed
gold



BGG
Brushed
gold gloss
lacquered



BGM
Brushed gold
matt lacquered



ABM
Antique
brass matt
lacquered



CTB
City bronze



CNB
Country
bronze



AG
Antique
gold

Fairfield Bath

V2K48 Deck mounted 4-hole bath filler



V2K48M
metal levers



V2K48C
ceramic levers



V2K48GBC
gloss black
chrome levers



V2K48W
wooden levers



V2K48X
cross tops

FINISH	PRICE
CP	€2,790
PN	€3,064
SSF/NL/BG	€3,206
BGG/BGM	€3,494
ABM/CTB/CNB	€3,764
AG	€3,896

Organic Crystal



V2K48GC
clear crystal levers



V2K48GB
black crystal levers



V2K48SC
clear crystal levers



V2K48SB
black crystal levers

Geometric Crystal

FITTING / APPROVALS

Feeds: 3/4"

Max deck thickness: 50mm

Max drill hole: Ø 38mm - side valve

Max drill hole: Ø 47.5mm - spout



FLOW RATES

1.0 bar 24.4 l/min
3.0 bar 45.0 l/min



FINISH	PRICE
CP	€3,172
PN	€3,480
SSF/NL/BG	€3,646
BGG/BGM	€3,968
ABM/CTB/CNB	€4,278
AG	€4,434



CP
Chrome
plate



PN
Polished
nickel



SSF
Stainless steel
finish



NL
Non lacquered
brass



BG
Brushed
gold



BGG
Brushed
gold gloss
lacquered



BGM
Brushed gold
matt lacquered



ABM
Antique
brass matt
lacquered



CTB
City bronze



CNB
Country
bronze

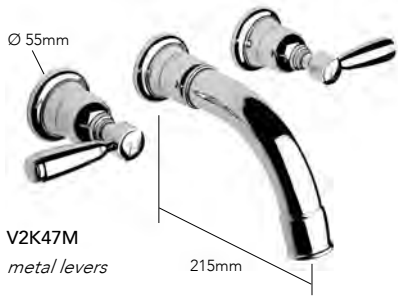


AG
Antique
gold

Fairfield Bath

V2K47 Wall mounted bath filler, trim set

requires V118-IS or V218-IS



V2K47M
metal levers



V2K47C
ceramic levers



V2K47GBC
gloss black
chrome levers



V2K47W
wooden levers



V2K47X
cross tops

FINISH	PRICE
CP	€1,406
PN	€1,550
SSF/NL/BG	€1,612
BGG/BGM	€1,762
ABM/CTB/CNB	€1,898
AG	€1,968

Organic Crystal



V2K47GC
clear crystal levers



V2K47GB
black crystal levers



V2K47SC
clear crystal levers



V2K47SB
black crystal levers

Geometric Crystal

FITTING / APPROVALS

Requires V118-IS or V218-IS rough



FLOW RATES

0.5 bar	20.7 l/min
1.0 bar	29.7 l/min
3.0 bar	37.0 l/min



FINISH

FINISH	PRICE
CP	€1,788
PN	€1,968
SSF/NL/BG	€2,052
BGG/BGM	€2,240
ABM/CTB/CNB	€2,410
AG	€2,492

V118-IS or V218-IS Roughs

FITTING / APPROVALS

Feeds: 3/4" female with adaptor for 1/2" female
Fitting depth: Min 59mm



V118-IS



V218-IS

V118-IS-XX
V218-IS-XX

€400
€400



CP
Chrome
plate

PN
Polished
nickel

SSF
Stainless steel
finish

NL
Non lacquered
brass

BG
Brushed
gold

BGG
Brushed
gold gloss
lacquered

BGM
Brushed gold
matt lacquered

ABM
Antique
brass matt
lacquered

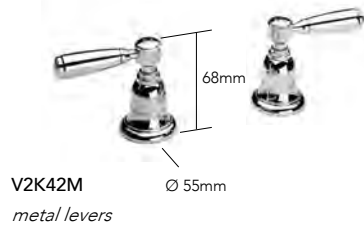
CTB
City bronze

CNB
Country
bronze

AG
Antique
gold

Fairfield Bath

V2K42 Deck mounted side valves (pair) for overflow filler



FITTING / APPROVALS

Feeds: 3/4"
Max deck thickness: 40mm
Max drill hole: Ø 38mm



FLOW RATES

0.5 bar 22.0 l/min
1.0 bar 32.0 l/min
3.0 bar 57.4 l/min



FINISH

CP	€1,336
PN	€1,480
SSF/NL/BG	€1,538
BGG/BGM	€1,668
ABM/CTB/CNB	€1,812
AG	€1,872

PRICE

Organic Crystal



Geometric Crystal



FINISH

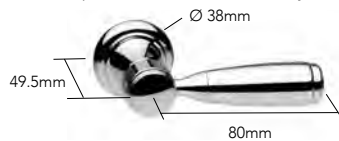
CP	€1,716
PN	€1,898
SSF/NL/BG	€1,982
BGG/BGM	€2,146
ABM/CTB/CNB	€2,326
AG	€2,410

PRICE

V277 Cistern lever

V277EXT Extended cistern lever (for concealed cisterns)

Not compatible with air-activated systems



V277-TM
metal lever

V277-TC
ceramic lever

V277-GBC
gloss black chrome lever

V277-TSC
clear crystal lever

V277-TSB
black crystal lever



V277-TW
wooden lever

FINISH

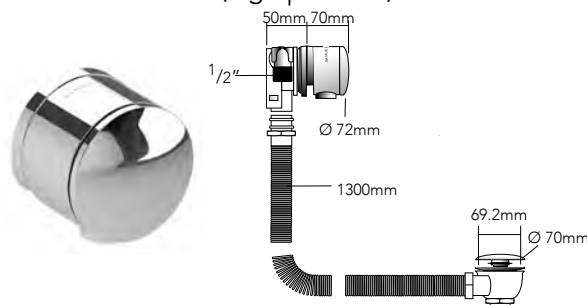
	V277	V277EXT
CP	€274	€396
PN	€304	€436
SSF/NL/BG	€314	€452
BGG/BGM	€346	€494
ABM/CTB/CNB	€368	€532
AG	€384	€556

FINISH

	V277	V277EXT
CP	€472	€594
PN	€518	€656
SSF/NL/BG	€542	€680
BGG/BGM	€598	€742
ABM/CTB/CNB	€644	€798
AG	€668	€836

Geometric Crystal

V145 Overflow filler (high pressure) with click waste



FITTING / APPROVALS

Feeds: 1/2"

For baths up to 8mm thick.
For baths 8-30mm thick please order extra V145-EXT

FLOW RATES

0.1 bar 4.2 l/min
1.0 bar 19.0 l/min
3.0 bar 35.0 l/min

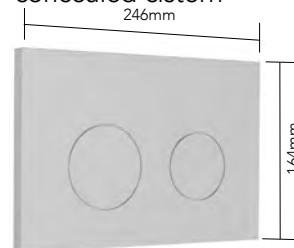


FINISH

CP	€644
PN	€704
SSF/NL/BG	€742
BGG/BGM	€870
ABM/CTB/CNB	€872
AG	€908
V145-EXT	€122

PRICE

V171 WC Dual flush plate to suit Geberit Sigma concealed cistern

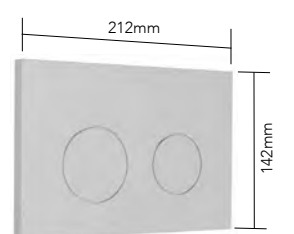


FINISH

CP	€1,922
PN	€2,002
SSF/NL/BG	€2,070
BGG/BGM	€2,112
ABM/CTB/CNB	€2,138
AG	€2,274

PRICE

V172 WC Dual flush plate to suit Geberit Omega concealed cistern



FINISH

CP	€1,922
PN	€2,002
SSF/NL/BG	€2,070
BGG/BGM	€2,112
ABM/CTB/CNB	€2,138
AG	€2,274

PRICE

V246 Wall mounted spout, trim set

requires V158-IS



FINISH	PRICE
CP	€542
PN	€598
SSF/NL/BG	€636
BGG/BGM	€682
ABM/CTB/CNB	€728
AG	€764



V158-IS.XX Spout rough kit for V246



XX €78



V197 Bath click-clack waste with overflow for freestanding baths



An extended version for baths with a central waste is available.

FITTING / APPROVALS

Waste: 1 1/2"

FINISH	Extended version	
CP	€400	€582
PN	€442	€642
SSF/NL/BG	€460	€670
ABM/CTB/CNB	€562	€786
AG	€562	€816

V392 1 1/2" Bath click-clack waste, slotted V392-UNS 1 1/2" Bath click-clack waste, unslotted



V392



V392-UNS

FINISH	V392	V392-UNS
CP	€138	€138
PN	€146	€146
SSF/NL/BG	€164	€164
BGG/BGM	€174	€174
ABM/CTB/CNB	€240	€240
AG	€192	€192

VA65 1 1/2" Combined bath waste and overflow with metal plug and chain



FINISH	PRICE
CP	€164
PN	€180
SSF/NL/BG	€250
ABM/CTB/CNB	€278
AG	€228

436 FAIRFIELD

VA66 1 1/2" Auto pop-up waste



FINISH	PRICE
CP	€292
PN	€322
SSF/NL/BG	€334
BGG/BGM	€366
ABM/CTB/CNB	€394
AG	€408

VA67 1 1/2" Auto pop-up waste, extended for large baths



FITTING / APPROVALS

Waste: 1 1/2"

FINISH	PRICE
CP	€322
PN	€352
SSF/NL/BG	€368
BGG/BGM	€400
ABM/CTB/CNB	€430
AG	€446

V195 Low P trap for freestanding bath



FITTING / APPROVALS

Waste: 1 1/2"

FINISH	PRICE
CP	€134
PN	€166
SSF/NL/BG	€192
AG	€202

V283 Angle bush



FITTING / APPROVALS

Feed: 1/2"

FINISH	PRICE
CP	€162
PN	€178
SSF/NL/BG	€188
BGG/BGM	€204
ABM/CTB/CNB	€218
AG	€228

V280 Bath boss for hand shower



FINISH	PRICE
CP	€190
PN	€204
SSF/NL/BG	€216
BGG/BGM	€234
ABM/CTB/CNB	€248
AG	€264

V165W, V940W, V941, V942 Hose

FITTING / APPROVALS

Feeds: 1/2"



For WRAS approved versions order V165W, V940W, V941W or V942W.

V165W - 1M
V940W - 1.25M
V941 - 1.5M
V942 - 1.75M



	V165W	V940W	V941	V942
CP	€92	€92	€98	€110
PN	€100	€100	€98	€120
SSF/NL/BG	€104	€104	€134	€146
BGG/BGM	€114	€114	€168	€182
ABM/CTB/CNB	€120	€120	€266	€276
AG	€124	€124	€182	€192

V254 Hand shower (easy clean)

For WRAS approved versions order V254W-C or V254W-M



V254-C

V254-M

FITTING / APPROVALS

Feed: 1/2"



FINISH	PRICE
CP	€322
PN	€358
SSF/NL/BG	€372
BGG/BGM	€408
ABM/CTB/CNB	€454
AG	€452

V255 Hand shower

For WRAS approved versions order V255W-C or V255W-M



V255-C

V255-M

FITTING / APPROVALS

Feed: 1/2"



FINISH	PRICE
CP	€278
PN	€308
SSF/NL/BG	€332
BGG/BGM	€350
ABM/CTB/CNB	€418
AG	€390

V256 Hand shower

For WRAS approved versions order V256W-C or V256W-M

Not for use on slider rails



V256-C

V256-M

FITTING / APPROVALS

Feed: 1/2"



FINISH	PRICE
CP	€304
PN	€334
SSF/NL/BG	€358
BGG/BGM	€382
ABM/CTB/CNB	€448
AG	€426

V299 Bidet spray

We recommend the use of a flow control with this bidet spray



FITTING / APPROVALS

Feed: 1/2"



FINISH	PRICE
CP	€348
PN	€384
SSF/NL/BG	€478
BGG/BGM	€598
ABM/CTB/CNB	€718
AG	€488

V266-SPR Bidet spray

We recommend the use of a flow control with this bidet spray



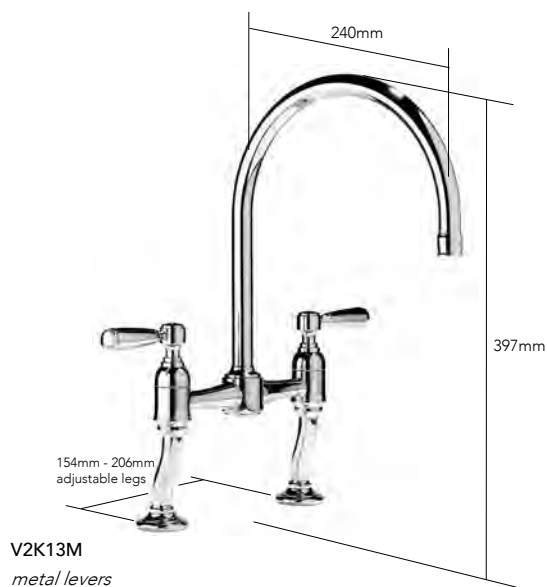
FITTING / APPROVALS

Feed: 1/2"



FINISH	PRICE
CP	€526
PN	€646
SSF/NL/BG	€668
BGG/BGM	€718
ABM/CTB/CNB	€752
AG	€752

V2K13 2 Hole kitchen sink mixer with adjustable centres



V2K13C
ceramic levers



V2K13GBC
gloss black chrome levers



V2K13W
wooden levers

FINISH	PRICE
CP	€1,824
PN	€2,002
SSF/NL/BG	€2,098
BGG/BGM	€2,276
ABM/CTB/CNB	€2,468
AG	€2,550

Organic Crystal



V2K13GC
clear crystal levers



V2K13GB
black crystal levers



V2K13SC
clear crystal levers



V2K13SB
black crystal levers

Geometric Crystal

FITTING / APPROVALS

Feeds: 1/2"
Max deck thickness: 50mm
Max drill hole: Ø 35mm

FLOW RATES

0.5 bar	5.1 l/min
1.0 bar	7.6 l/min
3.0 bar	14.0 l/min

Flow can be limited
eg. for BREEAM



FINISH	PRICE
CP	€2,218
PN	€2,430
SSF/NL/BG	€2,550
BGG/BGM	€2,778
ABM/CTB/CNB	€2,992
AG	€3,098



CP
Chrome plate



PN
Polished nickel



SSF
Stainless steel finish



NL
Non lacquered brass



BG
Brushed gold



BGG
Brushed gold gloss lacquered



BGM
Brushed gold matt lacquered



ABM
Antique brass matt lacquered



CTB
City bronze



CNB
Country bronze



AG
Antique gold

Kitchen mixer with metal levers in brushed gold



Image courtesy of Downton & Co.

Fairfield Shower

V2K1 Exposed 3/4" thermostatic shower set

Example shown here is V2K1XM9 with cross top / metal levers and V909 shower head



V2K1MM
metal levers



V2K1XGBC
cross top and gloss
black chrome levers

FITTING / APPROVALS

Feeds: 3/4"
Centres: 179.5mm - 221mm
Height extensions are available,
please contact our sales office.



The V220 thermostatic valve is WRAS approved



- | | | | | | | | | | | |
|-----------------------|--------------------------|----------------------------------|------------------------------|-----------------------|---|---------------------------------------|---|--------------------|--------------------------|-----------------------|
| CP
Chrome
plate | PN
Polished
nickel | SSF
Stainless steel
finish | NL
Non lacquered
brass | BG
Brushed
gold | BGG
Brushed
gold gloss
lacquered | BGM
Brushed gold
matt lacquered | ABM
Antique
brass matt
lacquered | CTB
City bronze | CNB
Country
bronze | AG
Antique
gold |
|-----------------------|--------------------------|----------------------------------|------------------------------|-----------------------|---|---------------------------------------|---|--------------------|--------------------------|-----------------------|



V2K1XC
cross top and ceramic levers



V2K1CC
ceramic levers



V2K1XW
cross top and wooden levers

Change these letters
for the handles you require

V2K1XM8
with V908 200mm
standard shower head

CP	€6,804
PN	€7,468
SSF/NL	€7,810
BG	-
BGG/BGM	-
CTB/CNB	-
AG	€9,478

Change this number for
the shower head you require (SEE PAGES 473-474)

V2K1XM9
with V909 200mm
easyclean shower head

€6,888
€7,566
€7,908
€7,908
€8,514
€9,252
€9,600

V2K1XM12
with V912 300mm
standard shower head

€7,256
€7,972
€8,326
-
-
-
€10,114

V2K1XM13
with V913 300mm
easyclean shower head

€7,686
€8,448
€8,830
€8,830
€9,564
€10,340
€10,724

See overleaf for our crystal levers

Fairfield Shower

V2K1 Exposed 3/4" thermostatic shower set

Organic Crystal



V2K1XGC
cross top and clear crystal levers



V2K1XGB
cross top and black crystal levers

FITTING / APPROVALS

Feeds: 3/4"
Centres: 179.5mm - 221mm
*Height extensions are available,
please contact our sales office.*



The V220 thermostatic valve is WRAS approved



- | | | | | | | | | | | |
|-----------------------|--------------------------|----------------------------------|------------------------------|-----------------------|---|---------------------------------------|---|--------------------|--------------------------|-----------------------|
| CP
Chrome
plate | PN
Polished
nickel | SSF
Stainless steel
finish | NL
Non lacquered
brass | BG
Brushed
gold | BGG
Brushed
gold gloss
lacquered | BGM
Brushed gold
matt lacquered | ABM
Antique
brass matt
lacquered | CTB
City bronze | CNB
Country
bronze | AG
Antique
gold |
|-----------------------|--------------------------|----------------------------------|------------------------------|-----------------------|---|---------------------------------------|---|--------------------|--------------------------|-----------------------|

Geometric Crystal



V2K1XSC
cross top and clear crystal levers



V2K1XSB
cross top and black crystal levers

Change these letters
for the handles you require

V2K1XGC8
with V908 200mm
standard shower head

CP	€7,468
PN	€8,210
SSF/NL	€8,574
BG	-
BGG/BGM	-
ABM/CTB/CNB	-
AG	€10,410

Change this number for
the shower head you require (SEE PAGES 473-474)

V2K1XGC9
with V909 200mm
easyclean shower head

€7,556
€8,292
€8,672
€8,672
€9,310
€10,146
€10,530

V2K1XGC12
with V912 300mm
standard shower head

€7,924
€8,700
€9,090
-
-
-
€11,040

V2K1XGC13
with V913 300mm
easyclean shower head

€8,354
€9,174
€9,590
€9,590
€10,350
€11,234
€11,652

Fairfield Shower

V2K6 Exposed 1/2" thermostatic shower set

Example shown here is V2K6XM9 with cross top / metal levers and V909 shower head



V2K6MM
metal levers



V2K6XGBC
cross top and gloss
black chrome levers

FITTING / APPROVALS

Feeds: 1/2"
Centres: 148mm - 191mm
Height extensions are available,
please contact our sales office.



The V240 thermostatic valve is WRAS approved



- | | | | | | | | | | | |
|-----------------------|--------------------------|----------------------------------|------------------------------|-----------------------|---|---------------------------------------|---|--------------------|--------------------------|-----------------------|
| CP
Chrome
plate | PN
Polished
nickel | SSF
Stainless steel
finish | NL
Non lacquered
brass | BG
Brushed
gold | BGG
Brushed
gold gloss
lacquered | BGM
Brushed gold
matt lacquered | ABM
Antique
brass matt
lacquered | CTB
City bronze | CNB
Country
bronze | AG
Antique
gold |
|-----------------------|--------------------------|----------------------------------|------------------------------|-----------------------|---|---------------------------------------|---|--------------------|--------------------------|-----------------------|



V2K6XC
cross top and ceramic levers



V2K6CC
ceramic levers



V2K6XW
cross top and wooden levers

Change these letters
for the handles you require

Change this number for
the shower head you require (SEE PAGES 473-474)

V2K6XM8
with V908 200mm
standard shower head

V2K6XM9
with V909 200mm
easyclean shower head

V2K6XM12
with V912 300mm
standard shower head

V2K6XM13
with V913 300mm
easyclean shower head

CP	€6,372
PN	€6,994
SSF/NL	€7,296
BG	-
BGG/BGM	-
ABM/CTB/CNB	-
AG	€8,858

€6,456
€7,088
€7,392
€7,392
€8,036
€8,652
€8,978

€6,830
€7,492
€7,826
-
-
€9,504

€7,256
€7,970
€8,326
€8,326
€9,040
€9,744
€10,102

See overleaf for our crystal levers

Fairfield Shower

V2K6 Exposed 1/2" thermostatic shower set

Organic Crystal



V2K6XGC
cross top and clear crystal levers



V2K6XGB
cross top and black crystal levers

FITTING / APPROVALS

Feeds: 1/2"
Centres: 148mm - 191mm
*Height extensions are available,
please contact our sales office.*



The V240 thermostatic valve is WRAS approved



- | | | | | | | | | | | |
|-----------------------|--------------------------|----------------------------------|------------------------------|-----------------------|---|---------------------------------------|---|--------------------|--------------------------|-----------------------|
| CP
Chrome
plate | PN
Polished
nickel | SSF
Stainless steel
finish | NL
Non lacquered
brass | BG
Brushed
gold | BGG
Brushed
gold gloss
lacquered | BGM
Brushed gold
matt lacquered | ABM
Antique
brass matt
lacquered | CTB
City bronze | CNB
Country
bronze | AG
Antique
gold |
|-----------------------|--------------------------|----------------------------------|------------------------------|-----------------------|---|---------------------------------------|---|--------------------|--------------------------|-----------------------|

Geometric Crystal



V2K6XSC
cross top and clear crystal levers



V2K6XSB
cross top and black crystal levers

Change these letters
for the handles you require

V2K6XGC**8**
with V908 200mm
standard shower head

CP	€7,042
PN	€7,720
SSF/NL	€8,060
BG	-
BGG/BGM	-
ABM/CTB/CNB	-
AG	€9,786

Change this number for
the shower head you require (SEE PAGES 473-474)

V2K6XGC**9**
with V909 200mm
easyclean shower head

€7,124
€7,818
€8,156
€8,156
€8,872
€9,562
€9,906

V2K6XGC**12**
with V912 300mm
standard shower head

€7,494
€8,222
€8,588
-
-
-
€10,438

V2K6XGC**13**
with V913 300mm
easyclean shower head

€7,926
€8,700
€9,092
€9,092
€9,874
€10,650
€11,032

Fairfield Shower

V2K2 Exposed 3/4" thermostatic shower set

Example shown here is V2K2XM9 with cross top / metal lever and V909 shower head



V2K2MM
metal levers



V2K2XGBC
cross top and glass black
chrome lever

FITTING / APPROVALS

Feeds: 3/4"

Centres: 179.5mm - 221mm

Height extensions are available,
please contact our sales office.



The V220 thermostatic valve is WRAS approved



CP
Chrome
plate

PN
Polished
nickel

SSF
Stainless steel
finish

NL
Non lacquered
brass

BG
Brushed
gold

BGG
Brushed
gold gloss
lacquered

BGM
Brushed gold
matt lacquered

ABM
Antique
brass matt
lacquered

CTB
City bronze

CNB
Country
bronze

AG
Antique
gold



V2K2XC
cross top and ceramic lever



V2K2XW
cross top and wooden lever

Change these letters
for the handles you require

Change this number for
the shower head you require (SEE PAGES 473-474)

V2K2XM8
with V908 200mm
standard shower head

V2K2XM9
with V909 200mm
easyclean shower head

V2K2XM12
with V912 300mm
standard shower head

V2K2XM13
with V913 300mm
easyclean shower head

CP	€4,992
PN	€5,482
SSF/NL	€5,728
BG	-
BGG/BGM	-
ABM/CTB/CNB	-
AG	€6,944

€5,028
€5,532
€5,764
€5,764
€6,192
€6,752
€6,992

€5,444
€5,982
€6,244
-
-
-
€7,578

€5,842
€6,414
€6,698
€6,698
€7,242
€7,842
€8,116

See overleaf for our crystal levers

Fairfield Shower

V2K2 Exposed 3/4" thermostatic shower set

Organic Crystal



V2K2XGC
cross top and clear crystal lever



V2K2XGB
cross top and black crystal lever

FITTING / APPROVALS

Feeds: 3/4"
Centres: 179.5mm - 221mm
*Height extensions are available,
please contact our sales office.*



The V220 thermostatic valve is WRAS approved



CP
Chrome
plate



PN
Polished
nickel



SSF
Stainless steel
finish



NL
Non lacquered
brass



BG
Brushed
gold



BGG
Brushed
gold gloss
lacquered



BGM
Brushed gold
matt lacquered



ABM
Antique
brass matt
lacquered



CTB
City bronze



CNB
Country
bronze



AG
Antique
gold

Geometric Crystal



V2K2XSC
cross top and clear crystal lever



V2K2XSB
cross top and black crystal lever

Change these letters
for the handles you require

V2K2XGC8
with V908 200mm
standard shower head

CP	€5,432
PN	€5,970
SSF/NL	€6,228
BG	-
BGG/BGM	-
ABM/CTB/CNB	-
AG	€7,564

Change this number for
the shower head you require (SEE PAGES 473-474)

V2K2XGC9
with V909 200mm
easyclean shower head

€5,470
€6,004
€6,274
€6,274
€6,716
€7,348
€7,612

V2K2XGC12
with V912 300mm
standard shower head

€5,888
€6,468
€6,754
-
-
-
€8,200

V2K2XGC13
with V913 300mm
easyclean shower head

€6,282
€6,888
€7,198
€7,198
€7,752
€8,438
€8,734

Fairfield Shower

V2K7 Exposed 1/2" thermostatic shower set

Example shown here is V2K7XM9 with cross top / metal lever and V909 shower head



V2K7MM
metal levers



V2K7XGBC
cross top and gloss black
chrome lever

FITTING / APPROVALS

Feeds: 1/2"

Centres: 148mm - 191mm

Height extensions are available,
please contact our sales office.



The V240 thermostatic valve is WRAS approved



CP
Chrome
plate

PN
Polished
nickel

SSF
Stainless steel
finish

NL
Non lacquered
brass

BG
Brushed
gold

BGG
Brushed
gold gloss
lacquered

BGM
Brushed gold
matt lacquered

ABM
Antique
brass matt
lacquered

CTB
City bronze

CNB
Country
bronze

AG
Antique
gold



V2K7XC
cross top and ceramic lever



V2K7CC
ceramic levers



V2K7XW
cross top and wooden lever

Change these letters
for the handles you require

Change this number for
the shower head you require (SEE PAGES 473-474)

V2K7XM8
with V908 200mm
standard shower head

V2K7XM9
with V909 200mm
easyclean shower head

V2K7XM12
with V912 300mm
standard shower head

V2K7XM13
with V913 300mm
easyclean shower head

CP	€4,598
PN	€5,050
SSF/NL	€5,260
BG	-
BGG/BGM	-
ABM/CTB/CNB	-
AG	€6,380

€4,632
€5,088
€5,306
€5,306
€5,762
€6,200
€6,426

€5,050
€5,554
€5,788
-
-
-
€7,012

€5,436
€5,972
€6,232
€6,232
€6,752
€7,292
€7,552

See overleaf for our crystal levers

Fairfield Shower

V2K7 Exposed 1/2" thermostatic shower set

Organic Crystal



V2K7XGC
cross top and clear crystal lever



V2K7XGB
cross top and black crystal lever

FITTING / APPROVALS

Feeds: 1/2"

Centres: 148mm - 191mm

*Height extensions are available,
please contact our sales office.*



The V240 thermostatic valve is WRAS approved



CP
Chrome
plate



PN
Polished
nickel



SSF
Stainless steel
finish



NL
Non lacquered
brass



BG
Brushed
gold



BGG
Brushed
gold gloss
lacquered



BGM
Brushed gold
matt lacquered



ABM
Antique
brass matt
lacquered



CTB
City bronze



CNB
Country
bronze



AG
Antique
gold

Geometric Crystal



V2K7XSC
cross top and clear crystal lever



V2K7XSB
cross top and black crystal lever

Change these letters
for the handles you require

V2K7XGC8
with V908 200mm
standard shower head

CP	€5,038
PN	€5,576
SSF/NL	€5,772
BG	-
BGG/BGM	-
ABM/CTB/CNB	-
AG	€7,000

Change this number for
the shower head you require (SEE PAGES 473-474)

V2K7XGC9
with V909 200mm
easyclean shower head

€5,074
€5,576
€5,808
€5,808
€6,310
€6,812
€7,048

V2K7XGC12
with V912 300mm
standard shower head

€5,490
€6,028
€6,290
-
-
-
€7,634

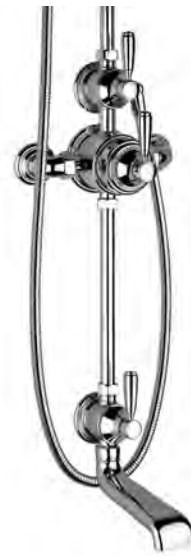
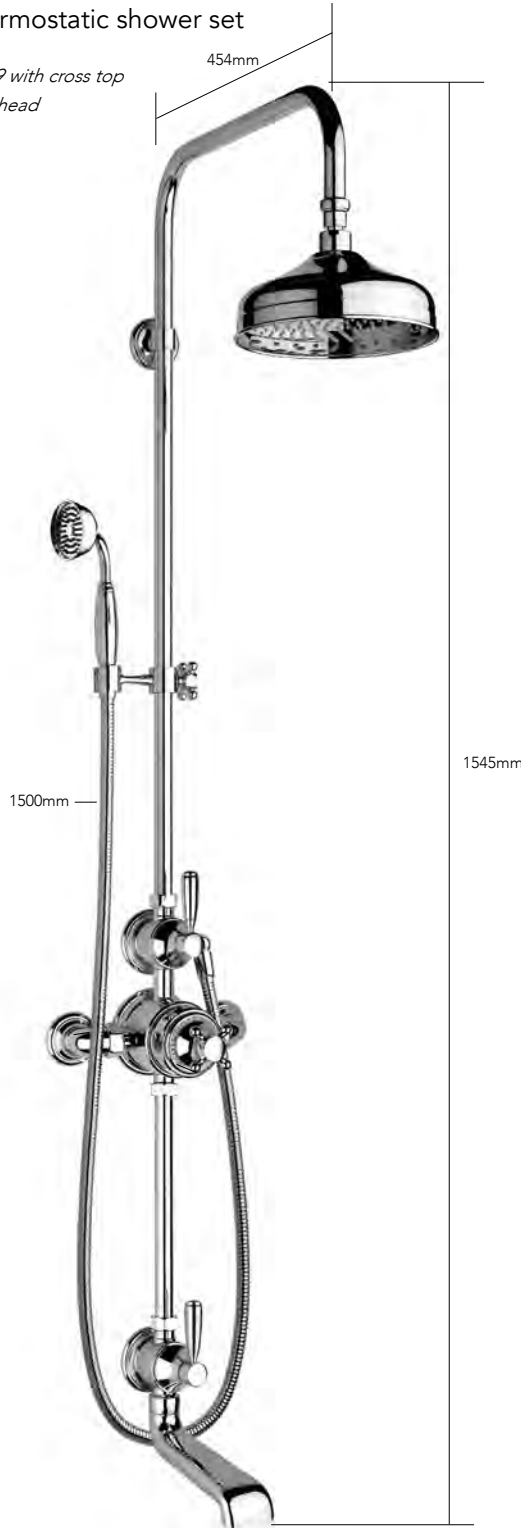
V2K7XGC13
with V913 300mm
easyclean shower head

€5,876
€6,456
€6,746
€6,746
€7,312
€7,888
€8,176

Fairfield Shower

V2K4 Exposed 3/4" thermostatic shower set

Example shown here is V2K4XM9 with cross top / metal levers and V909 shower head



V2K4MM
metal levers



V2K4GBC
gloss black chrome levers

FITTING / APPROVALS

Feeds: 3/4"
Centres: 200mm
Height extensions are available,
please contact our sales office.



The V220 thermostatic valve is WRAS approved



- | | | | | | | | | | | |
|-----------------------|--------------------------|----------------------------------|------------------------------|-----------------------|---|---------------------------------------|---|--------------------|--------------------------|-----------------------|
| CP
Chrome
plate | PN
Polished
nickel | SSF
Stainless steel
finish | NL
Non lacquered
brass | BG
Brushed
gold | BGG
Brushed
gold gloss
lacquered | BGM
Brushed gold
matt lacquered | ABM
Antique
brass matt
lacquered | CTB
City bronze | CNB
Country
bronze | AG
Antique
gold |
|-----------------------|--------------------------|----------------------------------|------------------------------|-----------------------|---|---------------------------------------|---|--------------------|--------------------------|-----------------------|



V2K4CC
ceramic levers



V2K4WW
wooden levers

Change these letters
for the handles you require

V2K4XM8
with V908 200mm
standard shower head

CP	€7,246
PN	€7,960
SSF/NL	€8,310
BG	-
BGG/BGM	-
ABM/CTB/CNB	-
AG	€10,090

Change this number for
the shower head you require (SEE PAGES 473-474)

V2K4XM9
with V909 200mm
easyclean shower head

€7,330
€8,056
€8,410
€8,410
€9,124
€9,838
€10,196

V2K4XM12
with V912 300mm
standard shower head

€7,698
€8,460
€8,828
-
-
-
€10,724

V2K4XM13
with V913 300mm
easyclean shower head

€8,128
€8,926
€9,330
€9,330
€10,126
€10,926
€11,332

See overleaf for our crystal levers

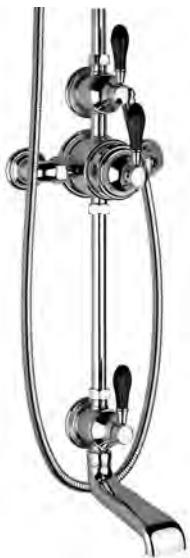
Fairfield Shower

V2K4 Exposed 3/4" thermostatic shower set

Organic Crystal



V2K4GC
clear crystal levers



V2K4GB
black crystal levers

FITTING / APPROVALS

Feeds: 3/4"

Centres: 200mm

Height extensions are available,
please contact our sales office.



The V220 thermostatic valve is WRAS approved



CP
Chrome
plate



PN
Polished
nickel



SSF
Stainless steel
finish



NL
Non lacquered
brass



BG
Brushed
gold



BGG
Brushed
gold gloss
lacquered



BGM
Brushed gold
matt lacquered



ABM
Antique
brass matt
lacquered



CTB
City bronze



CNB
Country
bronze



AG
Antique
gold

Geometric Crystal



V2K4SC
clear crystal levers



V2K4SB
black crystal levers

Change these letters
for the handles you require

V2K4GC8
with V908 200mm
standard shower head

CP	€7,820
PN	€8,582
SSF/NL	€8,956
BG	-
BGG/BGM	-
ABM/CTB/CNB	-
AG	€10,876

Change this number for
the shower head you require (SEE PAGES 473-474)

V2K4GC9
with V909 200mm
easyclean shower head

€7,902
€8,676
€9,054
€9,054
€9,840
€10,612
€10,996

V2K4GC12
with V912 300mm
standard shower head

€8,270
€9,080
€9,484
-
-
-
€11,522

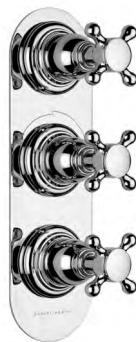
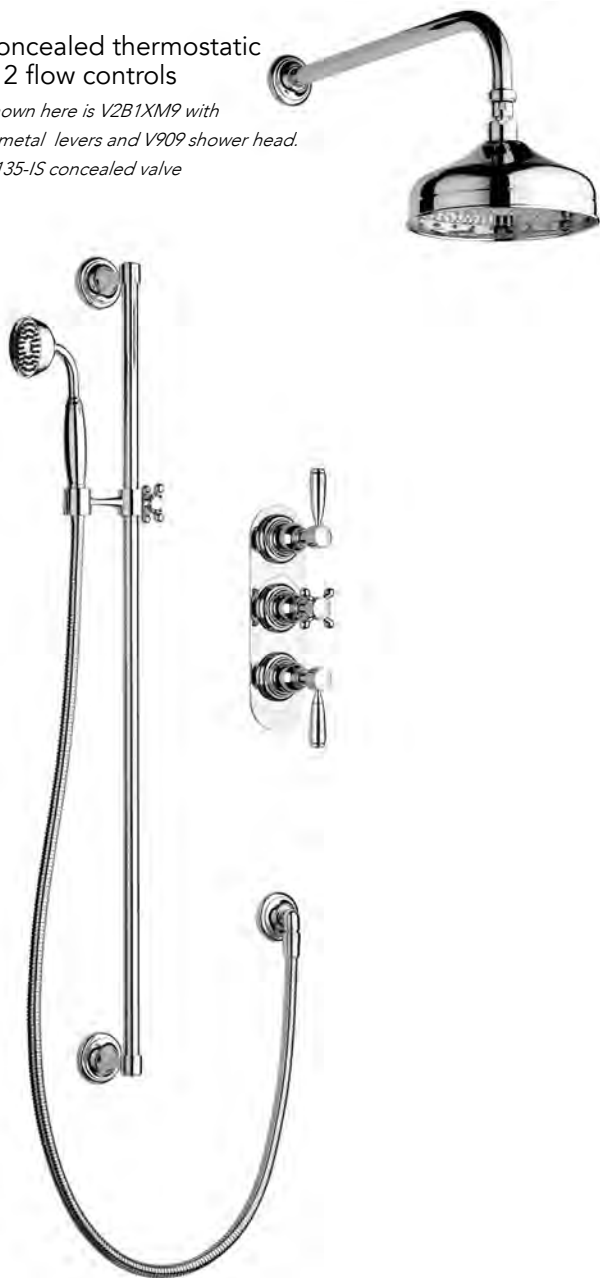
V2K4GC13
with V913 300mm
easyclean shower head

€8,704
€9,558
€9,986
€9,986
€10,842
€11,700
€12,120

Fairfield Shower

V2B1 Concealed thermostatic shower, 2 flow controls

Example shown here is V2B1XM9 with cross top / metal levers and V909 shower head.
Requires V135-IS concealed valve



V2B1XX
cross tops



V2B1XC
cross top and ceramic levers



V2B1XGBC
cross top and gloss
black chrome levers



V2B1XW
cross top and wooden
levers

Change these letters for the handles you require

V2B1XM8

with V908 200mm standard shower head

CP	€3,786
PN	€4,154
SSF/NL	€4,324
BG	-
BGG/BGM	-
ABM/CTB/CNB	-
AG	€5,256

Change this number for the shower head you require (SEE PAGES 473-474)

V2B1XM9

with V909 200mm easyclean shower head

€3,872
€4,236
€4,418
€4,418
€4,804
€5,182
€5,362

V2B1XM12

with V912 300mm standard shower head

€4,236
€4,644
€4,854
-
-
-
€5,890

V2B1XM13

with V913 300mm easyclean shower head

€4,668
€5,120
€5,356
€5,356
€5,808
€6,256
€6,498



CP
Chrome plate



PN
Polished nickel



SSF
Stainless steel finish



NL
Non lacquered brass



BG
Brushed gold



BGG
Brushed gold gloss lacquered



BGM
Brushed gold matt lacquered



ABM
Antique brass matt lacquered



CTB
City bronze



CNB
Country bronze



AG
Antique gold

Organic Crystal



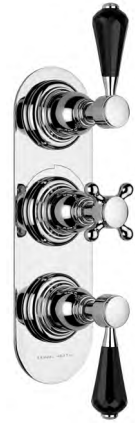
V2B1XGC
cross top and clear crystal levers



V2B1XGB
cross top and black crystal levers



V2B1XSC
cross top and clear crystal levers



V2B1XSB
cross top and black crystal levers

Change these letters for the handles you require

V2B1XGC8

with V908 200mm standard shower head

CP	€4,270
PN	€4,688
SSF/NL	€4,896
BG	-
BGG/BGM	-
ABM/CTB/CNB	-
AG	€5,948

Change this number for the shower head you require (SEE PAGES 473-474)

V2B1XGC9

with V909 200mm easyclean shower head

€4,356
€4,784
€4,992
€5,428
€4,988
€5,850
€6,068

V2B1XGC12

with V912 300mm standard shower head

€4,726
€5,188
€5,426
-
-
-
€6,582

V2B1XGC13

with V913 300mm easyclean shower head

€5,166
€5,666
€5,914
€5,914
€5,376
€6,924
€7,192

V135-IS Concealed thermostatic valve - rough

Requires T2B1. This valve has 2 controlled outlets which can operate simultaneously.

ROUGH

€952

FITTING / APPROVALS

Feeds: 1/2"

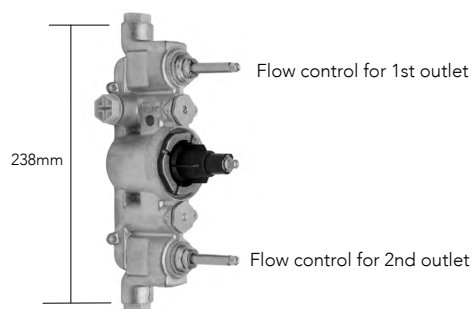
Fitting depth: Min 73mm - Max 84mm from finished tiled surface to rear of fixing, when used with V2B1.

Extension kits are available V135-EXT adding 25mm to fitting depth. If necessary more than one extension kit can be used.

FLOW RATES

0.5 bar 12.0 l/min
1.0 bar 17.2 l/min
3.0 bar 32.0 l/min

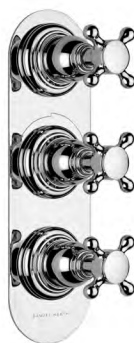
Flow can be limited eg. for BREEAM



Fairfield Shower

V2B2 Concealed thermostatic shower, 2 flow controls

Example shown here is V2B2XM13
with cross top / metal levers
and V913 shower head.
Requires V135-IS concealed valve



V2B2XX
cross tops



V2B2XC
cross top and ceramic levers



V2B2XGBC
cross top and gloss
black chrome levers



V2B2XW
cross top and wooden
levers

Change these letters
for the handles you require

V2B2XM8

with V908 200mm
standard shower head

CP	€2,956
PN	€3,244
SSF/NL	€3,376
BG	-
BGG/BGM	-
ABM/CTB/CNB	-
AG	€4,082

Change this number for
the shower head you require (SEE PAGES 473-474)

V2B2XM9

with V909 200mm
easyclean shower head

€3,042
€3,328
€3,472
€3,472
€3,764
€4,054
€4,200

V2B2XM12

with V912 300mm
standard shower head

€3,386
€3,708
€3,870
-
-
-
€4,692

V2B2XM13

with V913 300mm
easyclean shower head

€3,816
€4,200
€4,630
€4,630
€4,730
€5,048
€5,242



CP
Chrome
plate



PN
Polished
nickel



SSF
Stainless steel
finish



NL
Non lacquered
brass



BG
Brushed
gold



BGG
Brushed
gold gloss
lacquered



BGM
Brushed gold
matt lacquered



ABM
Antique
brass matt
lacquered



CTB
City bronze

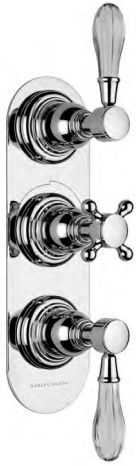


CNB
Country
bronze



AG
Antique
gold

Organic Crystal



V2B2XGC
cross top and clear crystal levers



V2B2XGB
cross top and black crystal levers



V2B2XSC
cross top and clear crystal levers



V2B2XSB
cross top and black crystal levers

Geometric Crystal

Change these letters
for the handles you require

V2B2XGC8
with V908 200mm
standard shower head

CP	€3,444
PN	€3,776
SSF/NL	€3,936
BG	-
BGG/BGM	-
ABM/CTB/CNB	-
AG	€4,786

Change this number for
the shower head you require (SEE PAGES 473-474)

V2B2XGC9
with V909 200mm
easyclean shower head

€3,532
€3,872
€4,048
€4,048
€4,382
€4,724
€4,904

V2B2XGC12
with V912 300mm
standard shower head

€3,896
€4,280
€4,466
-
-
-
€5,418

V2B2GC13
with V913 300mm
easyclean shower head

€4,330
€4,758
€4,970
€4,970
€5,386
€5,812
€6,030

V135-IS Concealed thermostatic valve - rough

Requires T2B2. This valve has 2 controlled outlets which can operate simultaneously.

ROUGH

€952

FITTING / APPROVALS

Feeds: 1/2"

Fitting depth: Min 73mm - Max 84mm
from finished tiled surface to rear of fixing,
when used with V2B2.

Extension kits are available V135-EXT
adding 25mm to fitting depth. If necessary
more than one extension kit can be used.

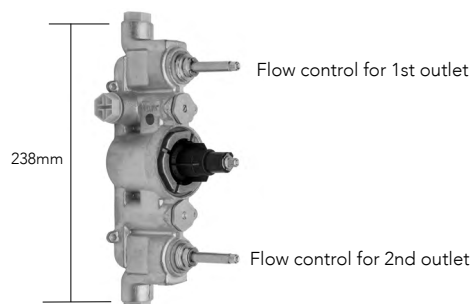
FLOW RATES

0.5 bar 12.0 l/min

1.0 bar 17.2 l/min

3.0 bar 32.0 l/min

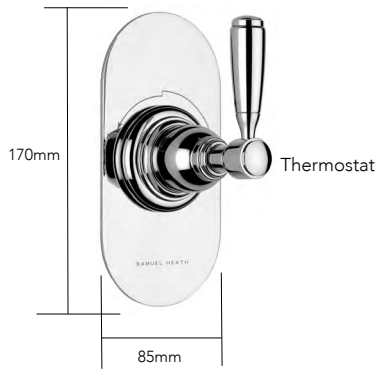
Flow can be limited
eg. for BREEAM



Fairfield Shower

V200-T2 Trim set for V133-IS thermostatic valve

Requires V133-IS



V200-T2M
metal lever



V200-T2C
ceramic lever



V200-T2GBC
gloss black chrome
lever



V200-T2W
wooden lever



V200-T2X
cross top

FINISH	PRICE
CP	€834
PN	€922
SSF/NL/BG	€958
BGG/BGM	€1,044
ABM/CTB/CNB	€1,132
AG	€1,170

Organic Crystal



V200-T2GC
clear crystal lever



V200-T2GB
black crystal lever

Geometric Crystal



V200-T2SC
clear crystal lever



V200-T2SB
black crystal lever

FINISH	PRICE
CP	€996
PN	€1,096
SSF/NL/BG	€1,146
BGG/BGM	€1,240
ABM/CTB/CNB	€1,338
AG	€1,390

FITTING / APPROVALS

Projection: Max 90mm

Options: V207 Flow control

V133-IS Concealed thermostatic valve - rough

Requires V200-T2. This valve has 2 open outlets. Use V207 for each.

ROUGH

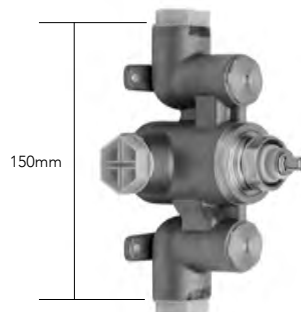
€552

FITTING / APPROVALS

Feeds: 3/4"

Fitting depth: Min 74mm - Max 84mm
from finished tiled surface to rear of fixing,
when used with V200-T2 trim.

Extension kits are available V133-EXT
adding 25mm to fitting depth. If necessary
more than one extension kit can be used.
Further outlets can be configured.



FLOW RATES

0.5 bar 11.6 l/min

1.0 bar 17.0 l/min

3.0 bar 31.5 l/min

Flow can be limited
eg. for BREEAM



CP
Chrome
plate

PN
Polished
nickel

SSF
Stainless steel
finish

NL
Non lacquered
brass

BG
Brushed
gold

BGG
Brushed
gold gloss
lacquered

BGM
Brushed gold
matt lacquered

ABM
Antique
brass matt
lacquered

CTB
City bronze

CNB
Country
bronze

AG
Antique
gold

Fairfield Shower

V207-T2 Trim set for V607-IS flow control

Requires V607-IS



V207-T2M
metal lever



V207-T2C
ceramic lever



V207-T2GBC
gloss black
chrome lever



V207-T2W
wooden lever



V207-T2X
cross top

FINISH	PRICE
CP	€448
PN	€494
SSF/NL/BG	€516
BGG/BGM	€560
ABM/CTB/CNB	€602
AG	€626

Organic Crystal



V207-T2GC
clear crystal lever



V207-T2GB
black crystal lever



V207-T2SC
clear crystal lever



V207-T2SB
black crystal lever

FINISH	PRICE
CP	€690
PN	€764
SSF/NL/BG	€804
BGG/BGM	€866
ABM/CTB/CNB	€942
AG	€978

FITTING / APPROVALS

Projection: Max 94mm

V607-IS Concealed flow control - rough

Requires V207-T

ROUGH

€160

FITTING / APPROVALS

Feeds: 3/4"

Fitting depth: Min 31mm - Max 52mm
from finished tiled surface to centre,
when used with V207.

Extension kits are available V607-EXT
adding 25mm to fitting depth. If necessary
more than one extension kit can be used.



FLOW RATES

0.5 bar 6.1 l/min
1.0 bar 22.2 l/min
3.0 bar 34.2 l/min
Flow can be limited
eg. for BREEAM



CP
Chrome
plate



PN
Polished
nickel



SSF
Stainless steel
finish



NL
Non lacquered
brass



BG
Brushed
gold



BGG
Brushed
gold gloss
lacquered



BGM
Brushed gold
matt lacquered



ABM
Antique
brass matt
lacquered



CTB
City bronze



CNB
Country
bronze

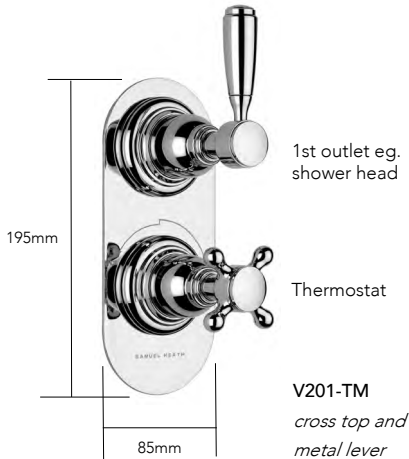


AG
Antique
gold

Fairfield Shower

V201-T Trim set for V134-IS thermostatic valve

Requires V134-IS



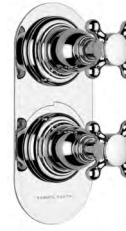
V201-TC
cross top and ceramic lever



V201-TGBC
cross top and gloss black chrome lever



V201-TW
cross top and wooden lever



V201-TX
cross tops

FITTING / APPROVALS

Projection: Max 106mm

FINISH	PRICE
CP	€1,230
PN	€1,350
SSF/NL/BG	€1,412
BGG/BGM	€1,534
ABM/CTB/CNB	€1,654
AG	€1,714

Organic Crystal



V201-TGC
cross top and clear crystal lever



V201-TGB
cross top and black crystal lever



V201-TSC
cross top and clear crystal lever



V201-TSB
cross top and black crystal lever

FINISH	PRICE
CP	€1,462
PN	€1,606
SSF/NL/BG	€1,676
BGG/BGM	€1,812
ABM/CTB/CNB	€1,958
AG	€2,030

V134-IS Concealed thermostatic valve - rough

Requires V201-T. This valve has 1 controlled outlet

ROUGH

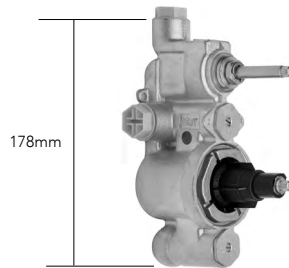
€712

FITTING / APPROVALS

Feeds: 1/2"

Fitting depth: Min 73mm - Max 85mm from finished tiled surface to rear of fixing, when used with V201-T.

Extension kits are available V134-EXT adding 25mm to fitting depth. If necessary more than one extension kit can be used.



FLOW RATES

0.5 bar 10.2 l/min

1.0 bar 15.8 l/min

3.0 bar 29.6 l/min

Flow can be limited eg. for BREEAM

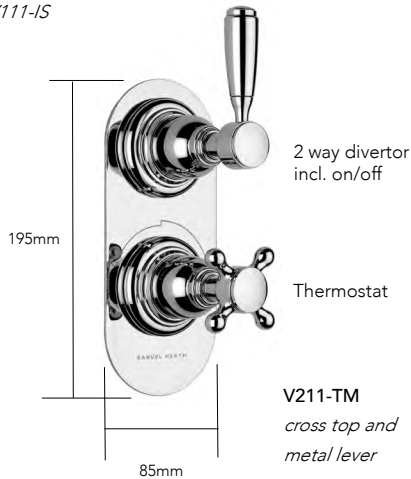


CP Chrome plate	PN Polished nickel	SSF Stainless steel finish	NL Non lacquered brass	BG Brushed gold	BGG Brushed gold gloss lacquered	BGM Brushed gold matt lacquered	ABM Antique brass matt lacquered	CTB City bronze	CNB Country bronze	AG Antique gold
--------------------	-----------------------	-------------------------------	---------------------------	--------------------	-------------------------------------	------------------------------------	-------------------------------------	--------------------	-----------------------	--------------------

Fairfield Shower

V211-T Trim set for V111-IS thermostatic valve

Requires V111-IS



V211-TC
cross top and
ceramic lever



V211-TGBC
cross top and gloss
black chrome lever



V211-TW
cross top and
wooden lever



V211-TX
cross tops

FITTING / APPROVALS

Projection: Max 106mm

FINISH	PRICE
CP	€1,230
PN	€1,350
SSF/NL/BG	€1,412
BGG/BGM	€1,534
ABM/CTB/CNB	€1,654
AG	€1,714

Organic Crystal



V211-TGC
cross top and clear
crystal lever



V211-TGB
cross top and black
crystal lever

Geometric Crystal



V211-TSC
cross top and clear
crystal lever



V211-TSB
cross top and black
crystal lever

FINISH	PRICE
CP	€1,462
PN	€1,606
SSF/NL/BG	€1,676
BGG/BGM	€1,812
ABM/CTB/CNB	€1,958
AG	€2,030

V111-IS Concealed thermostatic valve - rough

Requires V211-T. This valve has a two way divertor

ROUGH

€788

FITTING / APPROVALS

Feeds: 1/2"

Fitting depth: Min 73mm - Max 84mm
from finished tiled surface to rear of fixing,
when used with V211-T.

Extension kits are available V111-EXT
adding 25mm to fitting depth. If necessary
more than one extension kit can be used.



FLOW RATES

0.5 bar 8.7 l/min
1.0 bar 13.0 l/min
3.0 bar 24.5 l/min
Flow can be limited
eg. for BREEAM



CP
Chrome
plate



PN
Polished
nickel



SSF
Stainless steel
finish



NL
Non lacquered
brass



BG
Brushed
gold



BGG
Brushed
gold gloss
lacquered



BGM
Brushed gold
matt lacquered



ABM
Antique
brass matt
lacquered



CTB
City bronze



CNB
Country
bronze

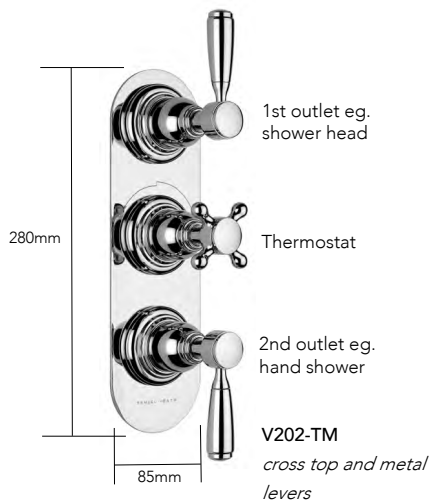


AG
Antique
gold

Fairfield Shower

V202-T Trim set for V135-IS thermostatic valve - 2 separate flow controls

Requires V135-IS



V202-TC
cross top and
ceramic levers



V202-TGBC
cross top and
gloss black
chrome levers



V202-TW
cross top and
wooden levers



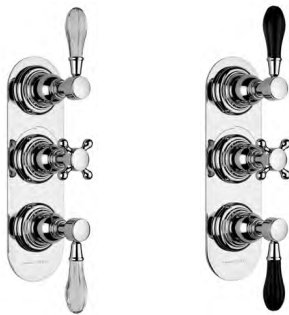
V202-TX
cross tops

FITTING / APPROVALS

Projection: Max 106mm
Options: V207 Flow control

FINISH	PRICE
CP	€1,510
PN	€1,668
SSF/NL/BG	€1,740
BGG/BGM	€1,886
ABM/CTB/CNB	€2,030
AG	€2,116

Organic Crystal



V202-TGC
cross top and
clear crystal levers

V202-TGB
cross top and
black crystal levers

Geometric Crystal



V202-TSC
cross top and clear
crystal levers

V202-TSB
cross top and black
crystal levers

FINISH	PRICE
CP	€2,016
PN	€2,212
SSF/NL/BG	€2,324
BGG/BGM	€2,516
ABM/CTB/CNB	€2,712
AG	€2,822

V135-IS Concealed thermostatic valve - rough

Requires T2B1. This valve has 2 controlled outlets which can operate simultaneously.

ROUGH

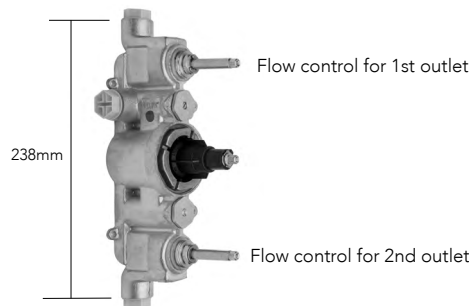
€952

FITTING / APPROVALS

Feeds: 1/2"

Fitting depth: Min 73mm - Max 84.3mm
from finished tiled surface to rear of fixing,
when used with V2B1.

Extension kits are available V135-EXT
adding 25mm to fitting depth. If necessary
more than one extension kit can be used.



FLOW RATES

0.5 bar 12.0 l/min

1.0 bar 17.2 l/min

3.0 bar 32.0 l/min

Flow can be limited
eg. for BREEAM

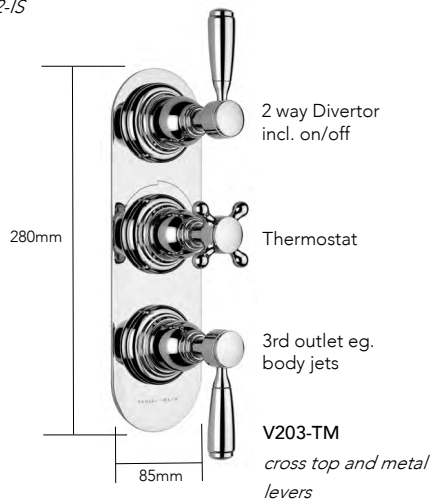


CP Chrome plate	PN Polished nickel	SSF Stainless steel finish	NL Non lacquered brass	BG Brushed gold	BGG Brushed gold gloss lacquered	BGM Brushed gold matt lacquered	ABM Antique brass matt lacquered	CTB City bronze	CNB Country bronze	AG Antique gold
-----------------------	--------------------------	----------------------------------	------------------------------	-----------------------	---	---------------------------------------	---	--------------------	--------------------------	-----------------------

Fairfield Shower

V203-T Trim set for V132-IS thermostatic valve - 2-way diverter with flow control

Requires V132-IS



V203-TC
cross top and ceramic levers



V203-TGBC
cross top and gloss black chrome levers



V203-TW
cross top and wooden levers



V203-TX
cross tops

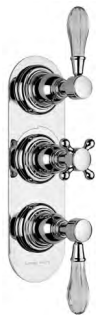
FINISH	PRICE
CP	€1,510
PN	€1,664
SSF/NL/BG	€1,740
BGG/BGM	€1,886
ABM/CTB/CNB	€2,030
AG	€2,116

FITTING / APPROVALS

Projection: Max 106mm

Options: V207 Flow control

Organic Crystal

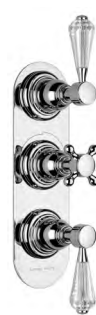


V203-TGC
cross top and clear crystal levers



V203-TGB
cross top and black crystal levers

Geometric Crystal



V203-TSC
cross top and clear crystal levers



V203-TSB
cross top and black crystal levers

FINISH	PRICE
CP	€2,016
PN	€2,212
SSF/NL/BG	€2,324
BGG/BGM	€2,516
ABM/CTB/CNB	€2,712
AG	€2,822

V132-IS Concealed thermostatic valve - rough

Requires V203-T. This valve has a two-way diverter plus an extra controlled outlet giving 3 options

ROUGH

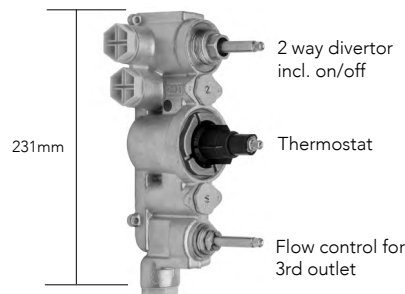
€1,048

FITTING / APPROVALS

Feeds: 3/4"

Fitting depth: Min 73.3mm - Max 84.6mm from finished tiled surface to rear of fixing, when used with V203-T.

Extension kits are available V132-EXT adding 25mm to fitting depth. If necessary more than one extension kit can be used.



FLOW RATES

0.5 bar 15.0 l/min
1.0 bar 22.0 l/min
3.0 bar 40.5 l/min
Flow can be limited eg. for BREEAM



CP
Chrome plate



PN
Polished nickel



SSF
Stainless steel finish



NL
Non lacquered brass



BG
Brushed gold



BGG
Brushed gold gloss lacquered



BGM
Brushed gold matt lacquered



ABM
Antique brass matt lacquered



CTB
City bronze



CNB
Country bronze

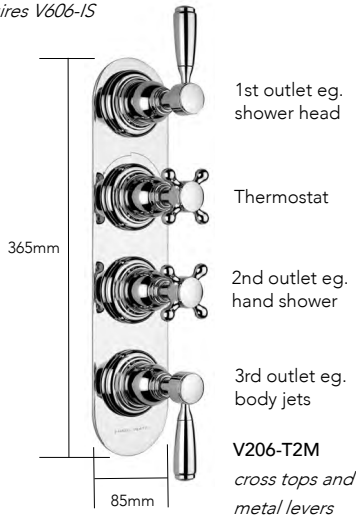


AG
Antique gold

Fairfield Shower

V206-T2 Trim set for V606-IS thermostatic valve

Requires V606-IS



V206-T2C
cross tops and
ceramic levers



V206-T2GBC
cross tops and
gloss black
chrome levers



V206-T2W
cross tops and
wooden levers



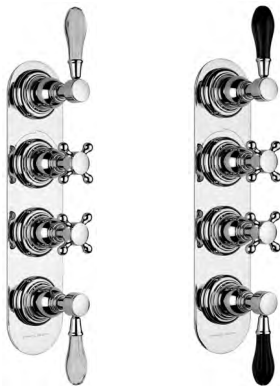
V206-T2X
cross tops

FITTING / APPROVALS

Projection: Max 103mm
Options: V207 Flow control

FINISH	PRICE
CP	€1,992
PN	€2,194
SSF/NL/BG	€2,290
BGG/BGM	€2,492
ABM/CTB/CNB	€2,678
AG	€2,780

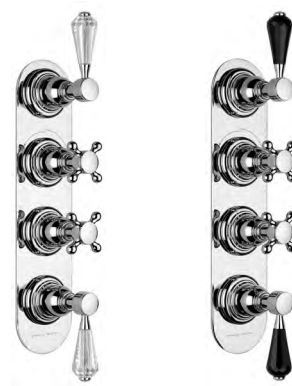
Organic Crystal



V206-T2GC
cross tops and
clear crystal levers

V206-T2GB
cross tops and
black crystal levers

Geometric Crystal



V206-T2SC
cross tops and
clear crystal levers

V206-T2SB
cross tops and
black crystal levers

FINISH	PRICE
CP	€2,578
PN	€2,830
SSF/NL/BG	€2,966
BGG/BGM	€3,216
ABM/CTB/CNB	€3,478
AG	€3,604

V606-IS Concealed thermostatic valve - rough

Requires V206-T. This valve has 3 controlled outlets and 1 open outlet giving 4 options, which can operate simultaneously. Open outlet requires V207 if used

ROUGH

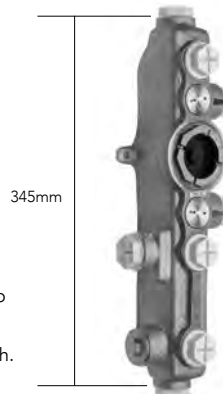
€1,364

FITTING / APPROVALS

Feeds: 3/4"

Fitting depth: Min 74mm - Max 86mm from finished tiled surface to rear of fixing, when used with V206T.

Extension kits are available V606-EXT adding 25mm to fitting depth. If necessary more than one extension kit can be used.



FLOW RATES

0.5 bar 12.0 l/min

1.0 bar 17.0 l/min

3.0 bar 33.4 l/min

Flow can be limited eg. for BREEAM



CP
Chrome
plate

PN
Polished
nickel

SSF
Stainless steel
finish

NL
Non lacquered
brass

BG
Brushed
gold

BGG
Brushed
gold gloss
lacquered

BGM
Brushed gold
matt lacquered

ABM
Antique
brass matt
lacquered

CTB
City bronze

CNB
Country
bronze

AG
Antique
gold

Fairfield Shower

V261-T Dual control valve trim set for V161-IS thermostatic valve

Requires V161-IS

FITTING / APPROVALS

Options: V268 3 way diverter



V261-TM
cross top and
metal lever



V261-TC
cross top and
ceramic lever



V261-TGBC
cross top and gloss
black chrome lever



V261-TW
cross top and
wooden lever

FINISH	PRICE
CP	€1,404
PN	€1,540
SSF/NL/BG	€1,616
BGG/BGM	€1,752
ABM/CTB/CNB	€1,890
AG	€1,964

Organic Crystal



V261-TGC
cross top and clear
crystal lever



V261-TGB
cross top and black
crystal lever

Geometric Crystal



V261-TSC
cross top and clear
crystal lever



V261-TSB
cross top and black
crystal lever

FINISH	PRICE
CP	€1,604
PN	€1,764
SSF/NL/BG	€1,838
BGG/BGM	€2,002
ABM/CTB/CNB	€2,168
AG	€2,242

V161-IS Dual control 1/2" thermostatic valve - rough

Requires V261-T

ROUGH

€1,360

FITTING / APPROVALS

Feeds: 1/2"

Fitting depth: Min 81mm - Max 93mm
from finished tiled surface to rear of fixing,
when used with V261-T.

Extension kits are available.



FLOW RATES

0.5 bar 8.5 l/min
1.0 bar 12.0 l/min
3.0 bar 21.2 l/min
Flow can be limited
eg. for BREEAM



CP
Chrome
plate



PN
Polished
nickel



SSF
Stainless steel
finish



NL
Non lacquered
brass



BG
Brushed
gold



BGG
Brushed
gold gloss
lacquered



BGM
Brushed gold
matt lacquered



ABM
Antique
brass matt
lacquered



CTB
City bronze



CNB
Country
bronze

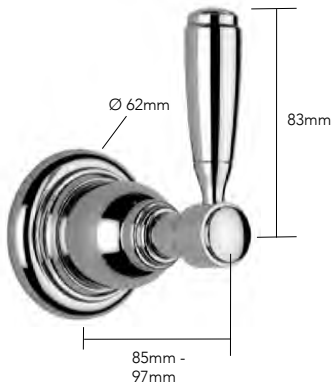


AG
Antique
gold

Fairfield Shower

V268-T Trim set for V168-IS concealed 3 way diverter

Requires V168-IS



V268-TM
metal lever



V268-TC
ceramic lever



V268-TGBC
gloss black chrome lever



V268-TW
wooden lever



V268-TX
cross top

FINISH	PRICE
CP	€432
PN	€476
SSF/NL/BG	€494
BGG/BGM	€538
ABM/CTB/CNB	€582
AG	€604

Organic Crystal



V268-TGC
clear crystal lever



V268-TGB
black crystal lever



V268-TSC
clear crystal lever



V268-TSB
black crystal lever

FINISH	PRICE
CP	€626
PN	€690
SSF/NL/BG	€714
BGG/BGM	€778
ABM/CTB/CNB	€840
AG	€878

Geometric Crystal

V168-IS Concealed 3-way diverter rough

Requires V268-T

- One inlet, three outlets (one can be closed off)

ROUGH

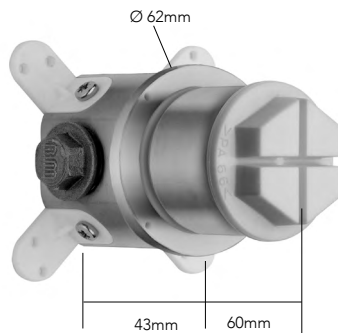
€452

FITTING / APPROVALS

Inlet & outlets: 1/2"

Fitting depth: Min 80mm - Max 94.5mm
from finished tiled surface to rear of fixing,
when used with V268-T.

Can be used for deck mounting providing
the unit is supported sufficiently.



FLOW RATES

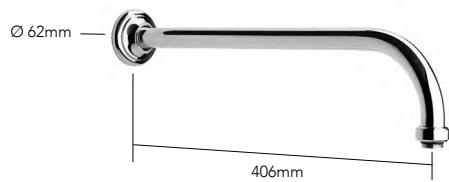
0.1 bar 6.4 l/min
1.0 bar 20.4 l/min
3.0 bar 37.2 l/min
Flow can be limited
eg. for BREEAM



CP Chrome plate	PN Polished nickel	SSF Stainless steel finish	NL Non lacquered brass	BG Brushed gold	BGG Brushed gold gloss lacquered	BGM Brushed gold matt lacquered	ABM Antique brass matt lacquered	CTB City bronze	CNB Country bronze	AG Antique gold
-----------------------	--------------------------	----------------------------------	------------------------------	-----------------------	---	---------------------------------------	---	--------------------	--------------------------	-----------------------

Fairfield Shower

V262 1/2" Shower arm



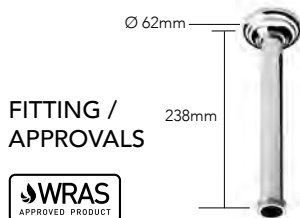
FITTING / APPROVALS



For WRAS approved version order V262W.

FINISH	PRICE
CP	€564
PN	€622
SSF/NL/BG	€644
BGG/BGM	€706
ABM/CTB/CNB	€764
AG	€788

V269 1/2" Ceiling tube



FITTING / APPROVALS



FINISH	PRICE
CP	€360
PN	€398
SSF/NL/BG	€416
BGG/BGM	€452
ABM/CTB/CNB	€488
AG	€504

V279 Adjustable, 6-jet easy clean shower head



FITTING / APPROVALS

Feed: 1/2"



FINISH	PRICE
CP	€644
PN	€706
SSF/NL/BG	€704
BGG/BGM	€788
ABM/CTB/CNB	€812
AG	€908

V279-8 Adjustable, 8-jet easy clean shower head



FITTING / APPROVALS

Feed: 1/2"



FINISH	PRICE
CP	€692
PN	€740
SSF/NL/BG	€742
BGG/BGM	€836
ABM/CTB/CNB	€836
AG	€932

V904 100mm skirted shower head

FITTING / APPROVALS

Feed: 1/2"



FINISH	PRICE
CP	€156
PN	€168
NL/BG	€194
AG	€194

V908 200mm skirted shower head

FITTING / APPROVALS

Feed: 1/2"



FINISH	PRICE
CP	€286
PN	€312
SSF/NL/BG	€478
BGG/BGM	€478
ABM/CTB/CNB	€478
AG	€478

V909 200mm skirted shower head (easy clean nozzles)

FITTING / APPROVALS

Feed: 1/2"



For WRAS approved version order V909W.



FINISH	V909	V909W
CP	€324	€324
PN	€360	€358
SSF/NL/BG	€526	€526
BGG/BGM	€526	€526
ABM/CTB/CNB	€526	€526
AG	€526	€526

V912 300mm skirted shower head

FITTING / APPROVALS

Feed: 1/2"



FINISH	PRICE
CP	€742
PN	€810
SSF/NL/BG	€846
BGG/BGM	€860
ABM/CTB/CNB	€860
AG	€1,038

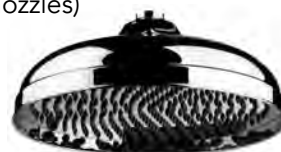
V913 300mm skirted shower head (easy clean nozzles)

FITTING / APPROVALS

Feed: 1/2"



For WRAS approved version order V913W.



FINISH	PRICE
CP	€1,122
PN	€1,240
SSF/NL/BG	€1,300
BGG/BGM	€1,406
ABM/CTB/CNB	€1,512
AG	€1,576

Fairfield Shower

V178 200mm easy clean shower head



FINISH	PRICE
CP	€324
PN	€360
SSF/NL/BG	€370
BGG/BGM	€502
ABM/CTB/CNB	€502
AG	€502

FITTING / APPROVALS

Feed: 1/2"



V163 200mm shower head

For WRAS approved version order V163W



FITTING / APPROVALS

Feed: 1/2"



FINISH	PRICE
CP	€504
PN	€552

V663 200mm easy clean shower head

For WRAS approved version order V663W

For swivel ball joint order V987



FINISH	PRICE
CP	€562
PN	€610
SSF/NL/BG	€634
BGG/BGM	€694
ABM/CTB/CNB	€754
AG	€776

FITTING / APPROVALS

Feed: 1/2"



V665 300mm shower head

For WRAS approved version order V665W

For swivel ball joint order V987

Due to its weight this product is best used with a ceiling tube, or the wall mounted shower arms V262, V662, V762, and T162; the pipework and shower arms must be rigidly secured. If used with exposed pipework additional support brackets will be required.



FINISH	PRICE
CP	€1,028
PN	€1,122
SSF/NL/BG	€1,184
BGG/BGM	€1,276
ABM/CTB/CNB	€1,382
AG	€1,432

FITTING / APPROVALS

Feed: 1/2"



V188 200mm easy clean shower head

For WRAS approved version order V188W



FITTING / APPROVALS

Feed: 1/2"



FINISH	PRICE
CP	€656
PN	€714
SSF/NL	€752
AG	€918

V189 300mm easy clean shower head

For WRAS approved version order V189W

Due to its weight this product is best used with a ceiling tube. If used with exposed pipework additional support brackets will be required.



FITTING / APPROVALS

Feed: 1/2"



FINISH	PRICE
CP	€956
PN	€1,048
SSF/NL	€1,100
AG	€1,336

V266 Combined wall outlet / bracket



FITTING / APPROVALS

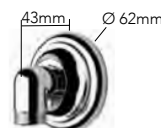
Feed: 1/2"



FINISH	PRICE
CP	€186
PN	€202
SSF/NL/BG	€210
BGG/BGM	€232
ABM/CTB/CNB	€246
AG	€252

V264 Wall outlet

For WRAS approved version order V264W



FITTING / APPROVALS

Feed: 1/2"



FINISH	PRICE
CP	€160
PN	€174
SSF/NL/BG	€186
BGG/BGM	€202
ABM/CTB/CNB	€218
AG	€228

V283 Angle bush



FITTING / APPROVALS

Feed: 1/2"

FINISH	PRICE
CP	€162
PN	€178
SSF/NL/BG	€188
BGG/BGM	€204
ABM/CTB/CNB	€218
AG	€228

V280 Bath boss for hand shower



FINISH	PRICE
CP	€190
PN	€204
SSF/NL/BG	€216
BGG/BGM	€234
ABM/CTB/CNB	€248
AG	€264

V267 Wall bracket



FINISH	PRICE
CP	€224
PN	€246
SSF/NL/BG	€252
BGG/BGM	€278
ABM/CTB/CNB	€302
AG	€312

Fairfield Shower

V270-M, or C Slider rail kit



Kit includes:
V270
V264
V941
V255

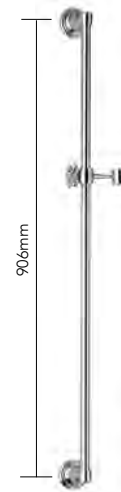
FITTING / APPROVALS

Feed: 1/2"



FINISH	PRICE
CP	€1,372
PN	€1,516
SSF/NL/BG	€1,584
BGG/BGM	€1,716
ABM/CTB/CNB	€1,860
AG	€1,918

V270 Slider rail



FINISH	PRICE
CP	€862
PN	€944
SSF/NL/BG	€990
BGG/BGM	€1,074
ABM/CTB/CNB	€1,156
AG	€1,204

V28.. Optional indices



Bodyjet

V281 for cross top
V282 for lever (exposed)
V275 for lever (concealed)



Hand shower

V285 for cross top
V288 for lever (exposed)
V273 for lever (concealed)



Tub

V286 for cross top
V289 for lever (exposed)
V274 for lever (concealed)



Shower head

V284 for cross top
V287 for lever (exposed)
V272 for lever (concealed)

Flow controls are provided with plain indices (caps) as standard. These optional indices add individuality to your shower design.

FINISH	PRICE
CP	€54
PN	€58
SSF/NL/BG	€62
BGG/BGM	€68
ABM/CTB/CNB	€72
AG	€74

V276 Body jet (high flow)



FITTING / APPROVALS

Feed: 1/2"

FLOW RATES
1.0 bar 9.3 l/min
3.0 bar 14.4 l/min

FINISH	PRICE
CP	€362
PN	€416
SSF/NL/BG	€416
BGG/BGM	€452
ABM/CTB/CNB	€520
AG	€508

V165W, V940W, V941, V942 Hose

FITTING / APPROVALS

Feeds: 1/2"



For WRAS approved versions order V165W, V940W, V941W or V942W.

V165W - 1M
V940W - 1.25M
V941 - 1.5M
V942 - 1.75M



	V165W	V940W	V941	V942
CP	€92	€92	€98	€110
PN	€100	€100	€98	€120
SSF/NL/BG	€104	€104	€134	€146
BGG/BGM	€114	€114	€168	€182
ABM/CTB/CNB	€120	€120	€266	€276
AG	€124	€124	€182	€192

V987 Swivel ball joint

For use with V663 and V665 shower heads.



FITTING / APPROVALS

Feed: 1/2"

FINISH	PRICE
CP	€98
PN	€106
SSF/NL/BG	€108
BGG/BGM	€120
ABM/CTB/CNB	€140
AG	€136

Fairfield Shower

V254 Hand shower (easy clean)

For WRAS approved versions order V254W-C or V254W-M



V254-C

V254-M

FITTING / APPROVALS

Feed: 1/2"



FINISH

CP	€322
PN	€358
SSF/NL/BG	€372
BGG/BGM	€408
ABM/CTB/CNB	€454
AG	€452

PRICE

V199 120mm 3 function easy clean hand shower

Not suitable for use with V283



FITTING / APPROVALS

Feed: 1/2"



FINISH

CP	€250
----	------

PRICE

V255 Hand shower

For WRAS approved versions order V255W-C or V255W-M



V255-C

V255-M

FITTING / APPROVALS

Feed: 1/2"



FINISH

CP	€278
PN	€308
SSF/NL/BG	€332
BGG/BGM	€350
ABM/CTB/CNB	€418
AG	€390

PRICE

V299 Bidet spray

We recommend the use of a flow control with this bidet spray



FITTING / APPROVALS

Feed: 1/2"



FINISH

CP	€348
PN	€384
SSF/NL/BG	€478
BGG/BGM	€598
ABM/CTB/CNB	€718
AG	€488

PRICE

V256 Hand shower

For WRAS approved versions order V256W-C or V256W-M

Not for use on slider rails



V256-C

V256-M

FITTING / APPROVALS

Feed: 1/2"



FINISH

CP	€304
PN	€334
SSF/NL/BG	€358
BGG/BGM	€382
ABM/CTB/CNB	€448
AG	€426

PRICE

V266-SPR Bidet spray

We recommend the use of a flow control with this bidet spray



FITTING / APPROVALS

Feed: 1/2"



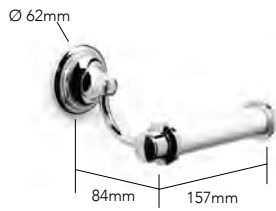
FINISH

CP	€526
PN	€646
SSF/NL/BG	€668
BGG/BGM	€718
ABM/CTB/CNB	€752
AG	€752

PRICE

Fairfield Accessories

N9537 Paper holder



FINISH	PRICE
CP	€278
PN	€306
SSF/NL/BG	€318
BGG/BGM	€348
ABM/CTB/CNB	€374
AG	€390

N9538 Towel ring



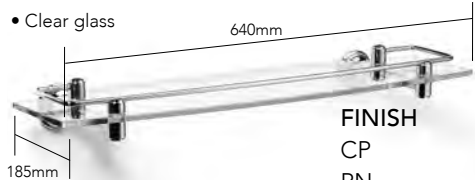
FINISH	PRICE
CP	€210
PN	€232
SSF/NL/BG	€242
BGG/BGM	€264
ABM/CTB/CNB	€282
AG	€290

N9541 Spare paper holder



FINISH	PRICE
CP	€360
PN	€396
SSF/NL/BG	€414
BGG/BGM	€448
ABM/CTB/CNB	€486
AG	€502

N9543 Glass shelf with lifting rail



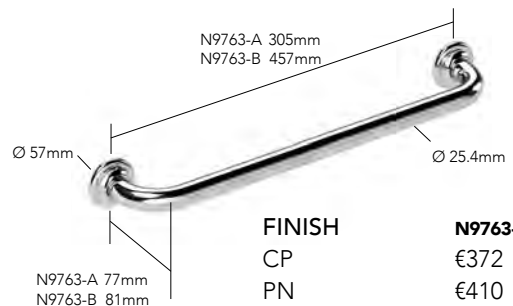
FINISH	PRICE
CP	€896
PN	€992
SSF/NL/BG	€1,038
BGG/BGM	€1,122
ABM/CTB/CNB	€1,218
AG	€1,254

N9534 Soap dish



FINISH	PRICE
CP	€374
PN	€412
SSF/NL/BG	€432
BGG/BGM	€470
ABM/CTB/CNB	€504
AG	€526

N9763-A, -B Grab Rail



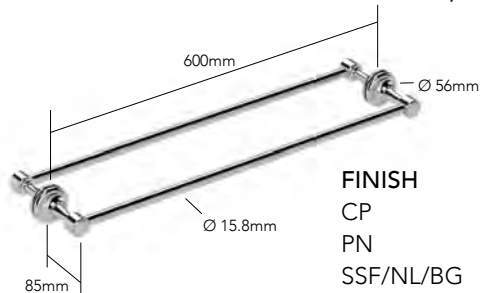
FINISH	N9763-A	-B
CP	€372	€384
PN	€410	€424

N9535 Tumbler holder



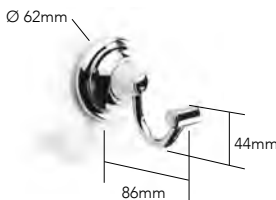
FINISH	PRICE
CP	€368
PN	€406
SSF/NL/BG	€426
BGG/BGM	€460
ABM/CTB/CNB	€494
AG	€514

N9766 Back to back shower door rail, 600mm



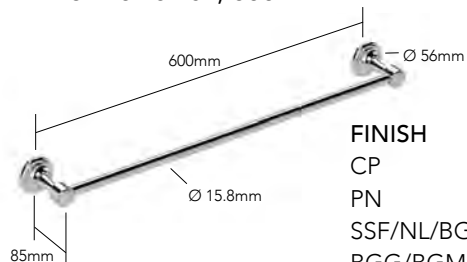
FINISH	PRICE
CP	€1,018
PN	€1,118
SSF/NL/BG	€1,170
BGG/BGM	€1,272
ABM/CTB/CNB	€1,372
AG	€1,424

N9531 Robe hook



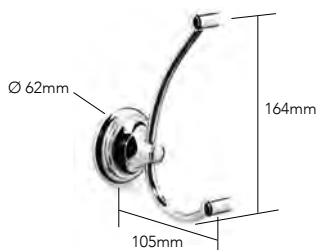
FINISH	PRICE
CP	€190
PN	€204
SSF/NL/BG	€214
BGG/BGM	€234
ABM/CTB/CNB	€248
AG	€264

N9767 Towel rail, 600mm



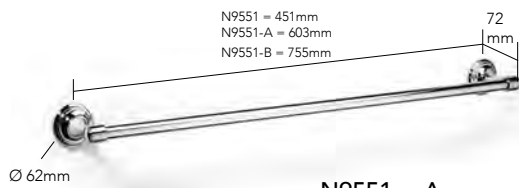
FINISH	PRICE
CP	€492
PN	€540
SSF/NL/BG	€566
BGG/BGM	€616
ABM/CTB/CNB	€664
AG	€690

N9532 Double robe hook



FINISH	PRICE
CP	€226
PN	€248
SSF/NL/BG	€258
BGG/BGM	€282
ABM/CTB/CNB	€306
AG	€316

N9551, A, B Single towel rail with brass rail



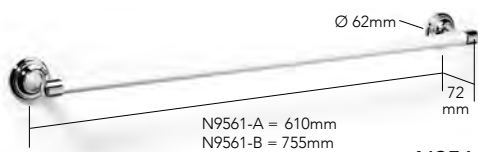
	N9551	-A	-B
CP	€362	€376	€390
PN	€398	€414	€432
SSF/NL/BG	€414	€438	€448
BGG/BGM	€452	€474	€486
ABM/CTB/CNB	€490	€510	€524
AG	€508	€528	€542

N9560 Framed bevelled tilting mirror



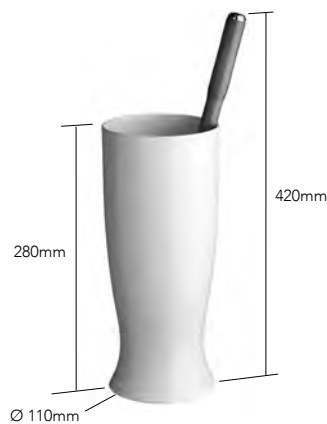
FINISH	PRICE
CP	€1,432
PN	€1,576
SSF/NL/BG	€1,646
BGG/BGM	€1,788
ABM/CTB/CNB	€1,932
AG	€2,002

N9561-A, B Single towel rails with ceramic rail



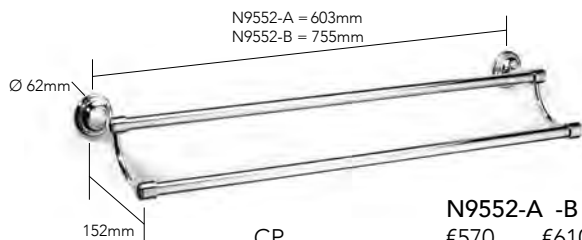
	N9561-A	-B
CP	€356	€370
PN	€392	€406
SSF/NL/BG	€406	€428
BGG/BGM	€444	€462
ABM/CTB/CNB	€474	€502
AG	€492	€516

N9549 Toilet brush set



FINISH	PRICE
CP	€188
PN	€200
SSF/NL/BG	€214
BGG/BGM	€232
ABM/CTB/CNB	€248
AG	€258

N9552-A, B Double towel rail with brass rails



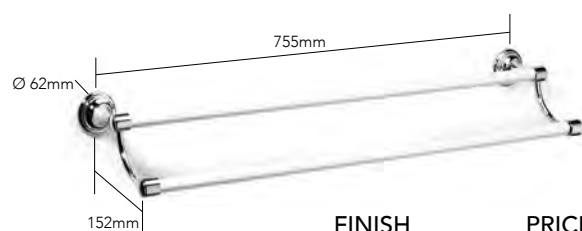
	N9552-A	-B
CP	€570	€610
PN	€634	€668
SSF/NL/BG	€658	€692
BGG/BGM	€714	€752
ABM/CTB/CNB	€776	€812
AG	€802	€848

N9566 Liquid soap dispenser



FINISH	PRICE
CP	€266
PN	€288
SSF/NL/BG	€304
BGG/BGM	€328
ABM/CTB/CNB	€358
AG	€368

N9562-B Double towel rail with ceramic rails



FINISH	PRICE
CP	€578
PN	€646
SSF/NL/BG	€670
BGG/BGM	€728
ABM/CTB/CNB	€788
AG	€812

N9564 Soap holder



FINISH	PRICE
CP	€232
PN	€252
SSF/NL/BG	€268
BGG/BGM	€286
ABM/CTB/CNB	€314
AG	€324

N9565 Tumbler



FINISH	PRICE
CP	€232
PN	€252
SSF/NL/BG	€268
BGG/BGM	€286
ABM/CTB/CNB	€314
AG	€324

Wall mounted soap dish in antique gold



Antique

The Antique collection features ornate detailing and a certain grandeur to capture the essence of the Victorian past. Authentic period brassware is combined with the latest technology to offer a faithful recreation for both traditional and contemporary living spaces.

Antique Basin

VAC01 Basin taps (pair)



FITTING / APPROVALS	FINISH	PRICE
Feeds: 1/2" tail length 70mm	CP	€1,106
Max drill hole: Ø 28mm	PN	€1,216
	AG	€1,438

FLOW RATES	
0.1 bar 15.0 l/min	Min 0.1 bar
1.0 bar 18.5 l/min	

VAC15 3 Hole basin set with pop-up waste, extended spout



FITTING / APPROVALS Without pop-up waste: order eg. VAC15NP

Feeds: 1/2"
 Max deck thickness: 45mm
 Max drill hole: Ø 45mm spout
 Max drill hole: Ø 41.5mm side valve


FLOW RATES			with PUW	No PUW
0.1 bar 6.1 l/min	Min 0.1 bar	CP	€1,384	€1,252
1.0 bar 21.7 l/min		PN	€1,528	€1,372
3.0 bar 40.0 l/min		AG	€1,932	€1,740

VAC10 Monobloc basin mixer with pop-up waste



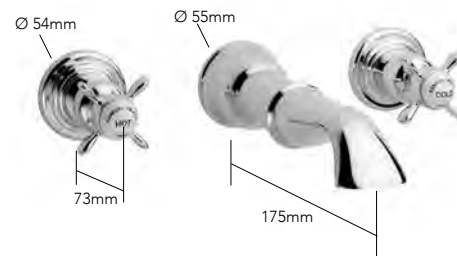
FITTING / APPROVALS

Feeds: 12mm-15mm copper tails
 Max drill hole: Ø 36.6

FLOW RATES		FINISH	PRICE
0.1 bar 2.2 l/min	Min 0.1 bar	CP	€908
1.0 bar 8.2 l/min		PN	€1,000
3.0 bar 15.0 l/min		AG	€1,276


VAC17-T Wall mounted basin filler, trim set

requires V118-IS or V218-IS



FITTING / APPROVALS

Requires V118-IS or V218-IS Roughs

FLOW RATES		FINISH	PRICE
0.1 bar 6.0 l/min	Min 0.1 bar	CP	€1,012
1.0 bar 19.8 l/min		PN	€1,106
3.0 bar 37.5 l/min		AG	€1,412

VAC14 3 Hole basin set with pop-up waste

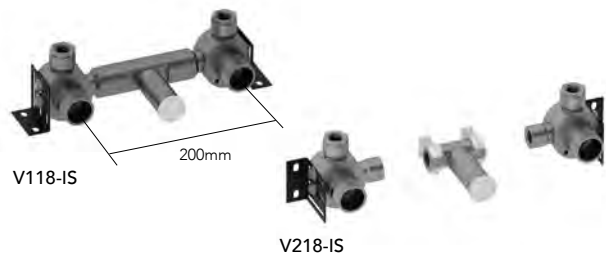


FITTING / APPROVALS Without pop-up waste: order eg. VAC14NP

Feeds: 1/2"
 Max deck thickness: 32mm
 Max drill hole: Ø 42.5mm

FLOW RATES			with PUW	No PUW
0.5 bar 13.3 l/min	Min 0.5 bar	CP	€1,312	€1,182
1.0 bar 19.4 l/min		PN	€1,442	€1,300
3.0 bar 36.2 l/min		AG	€1,834	€1,658

V118-IS or V218-IS Roughs



FITTING / APPROVALS

Feeds: 3/4" female with adaptor for 1/2" female
 Fitting depth: Min 59mm



FINISH	PRICE
V118-IS-XX	€400
V218-IS-XX	€400

Antique Bidet

VAC20 Monobloc bidet mixer with pop-up waste



FITTING / APPROVALS

Feeds: 12mm-15mm copper tails
 Max deck thickness: 40mm
 Max drill hole: Ø 36.4

FLOW RATES

0.5 bar	5.2 l/min	
1.0 bar	7.7 l/min	
3.0 bar	14.1 l/min	

FINISH

- CP
- PN
- AG

PRICE

- €918
- €1,016
- €1,286

Antique Basin ancillaries

V192 1 1/4" Basin click-clack waste

For free-flow please order V192-FF
 Unslotted also available V192-UNS



FINISH

- CP
- PN
- SSF
- AG

PRICE

- €96
- €146
- €146
- €166

V193 1 1/4" Basin bottle trap

500mm extension tube available, order V193-500



FINISH

- V193
- CP
- PN
- SSF
- AG

V193-500

- Tube only
- €182
- €200
- €206
- €252

VA60 1 1/4" Basin waste with metal plug, chain and stay



FITTING / APPROVALS

Chain length: 280mm
 Waste: 1 1/4" BSP

FINISH

- CP
- PN
- SSF
- AG

PRICE

- €132
- €144
- €150
- €184

VA63-X 1 1/4" Basin bottle trap

500mm extension tube available, order VA63-500



FITTING / APPROVALS

Waste: 1 1/4" BSP

VA63-X

- CP
- PN
- SSF
- AG

VA63-500

- Tube only
- €132
- €240
- €264
- €362

VA72 Tap hole stopper - drilled



FINISH

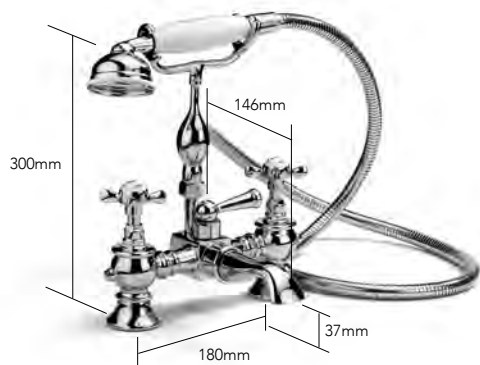
- CP
- PN
- SSF
- AG

PRICE

- €98
- €112
- €114
- €136

Antique Bath fillers

VAC30 Bath/shower mixer deck mounted with hose and hand shower

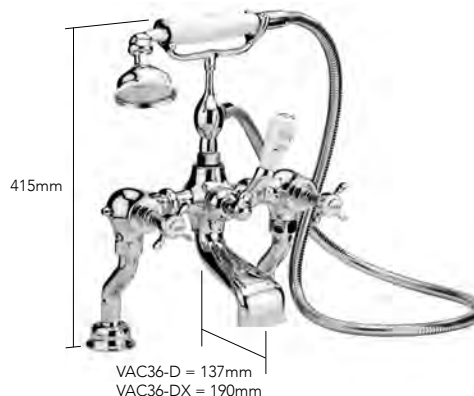


FITTING / APPROVALS	FINISH	PRICE
Feeds: 3/4"	CP	€2,482
Max deck thickness: 68mm	PN	€2,726
Max drill hole: Ø 36mm	AG	€3,474

FLOW RATES

0.5 bar	27.3 l/min	
1.0 bar	40.1 l/min	
3.0 bar	68.4 l/min	

VAC36-D, VAC36-DX Bath/shower mixer deck mounted with hose and hand shower



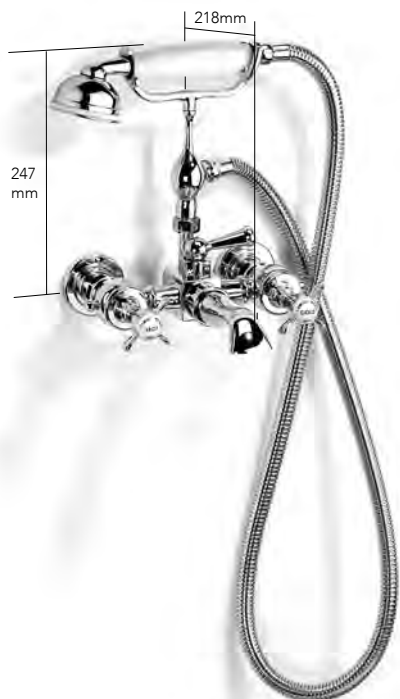
FITTING / APPROVALS		VAC36-D	VAC36-DX
Feeds: 3/4"	CP	€3,098	€3,112
Max deck thickness: 40mm	PN	€3,410	€3,420
Max drill hole: Ø 46.5mm	AG	€4,336	€4,350
Centres: 160mm - 250mm			
Spout air gap: 45mm			

FLOW RATES

0.5 bar	42.8 l/min	
1.0 bar	61.7 l/min	
3.0 bar	111.9 l/min	

If required on standpipes please order adaptor V230-ADAP (supplied free of charge)

VAC34-X Bath/shower mixer wall mounted with hose & hand shower

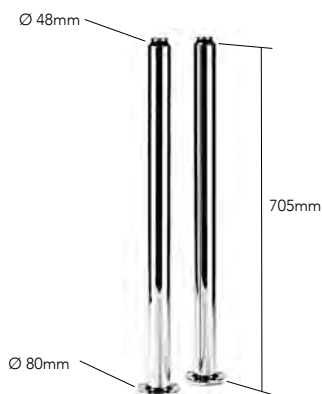


FITTING / APPROVALS	FINISH	PRICE
Feeds: 1/2"	CP	€2,688
Centres: 140mm - 180mm	PN	€2,958
	AG	€3,768

FLOW RATES

2.0 bar	29.8 l/min
3.0 bar	34.6 l/min

V238 Standpipes for bath/shower mixers

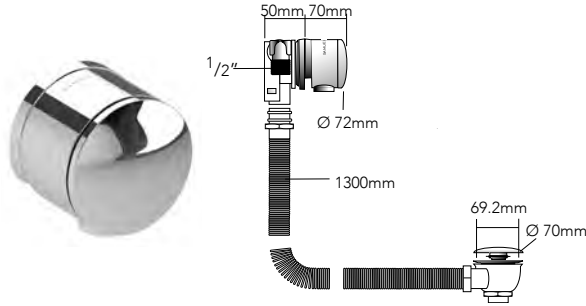


WRAS approval pending

FINISH	PRICE
CP	€1,668
PN	€1,836
SSF	€1,918
AG	€2,326

Antique Bath fillers

V145 Overflow filler (high pressure) with click waste



FITTING / APPROVALS

Feeds: 1/2"

For baths up to 8mm thick.
For baths 8-30mm thick please
order extra V145-EXT

FLOW RATES

0.1 bar 4.2 l/min
1.0 bar 19.0 l/min
3.0 bar 35.0 l/min



FINISH	PRICE
CP	€644
PN	€704
SSF	€742
AG	€908
V145-EXT	€122

Antique Bath wastes

V197 Bath click-clack waste with overflow for freestanding baths



FITTING / APPROVALS

Waste: 1 1/2"

FINISH

		Extended version
CP	€400	€582
PN	€442	€642
SSF	€460	€670
AG	€562	€816

VA65 1 1/2" Combined bath waste and overflow with metal plug and chain



FINISH

	PRICE
CP	€164
PN	€180
SSF	€250
AG	€228

VA66 1 1/2" Auto pop-up waste



FINISH

	PRICE
CP	€292
PN	€322
SSF	€334
AG	€408

V195 Low P trap for freestanding bath



FITTING / APPROVALS

Waste: 1 1/2"

FINISH

	PRICE
CP	€134
PN	€166
SSF	€192
AG	€202

Antique Thermostatic showers

V527 1/2" Dual control thermostatic shower kit

Order extra: Shower head



FINISH	PRICE
CP	€4,384
PN	€4,812
SSF	€5,038
AG	€6,124

V461-T Dual control valve trim set for V161-IS

Requires V161-IS

Options: VA91 2 way diverter



FINISH	PRICE
CP	€1,002
PN	€1,110
SSF	€1,158
AG	€1,408

V161-IS Dual control 1/2" thermostatic valve - rough

Requires V461-T

ROUGH

€1,360

FITTING / APPROVALS

Feeds: 1/2"

Fitting depth: Min 81mm - Max 93mm

from finished tiled surface to rear of fixing,
when used with V461-T.

Extension kits are available.



FLOW RATES

0.5 bar 8.5 l/min

1.0 bar 12.0 l/min

3.0 bar 21.2 l/min

Flow can be limited
eg. for BREEAM

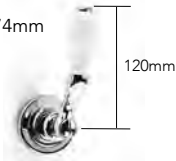


Antique Thermostatic showers

VA91 Concealed diverter

FITTING / APPROVALS

Cavity depth req: 74mm
Inlets: two - 1/2"
Outlets: two - 1/2"



FINISH	PRICE
CP	€692
PN	€764
SSF	€798
AG	€980

V922 Concealed shower arm

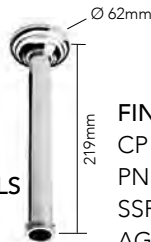


FITTING / APPROVALS

Feed: 1/2"

FINISH	PRICE
CP	€390
PN	€430
SSF	€444
AG	€540

V269 Ceiling tube



FITTING / APPROVALS

Feed: 1/2"

FINISH	PRICE
CP	€360
PN	€398
SSF	€416
AG	€504

V958 Wall outlet

FITTING / APPROVALS

Feed: 1/2"



FINISH	PRICE
CP	€116
PN	€126
AG	€160

V981 Angle bush for handshower

FITTING / APPROVALS

Feed: 1/2"



FINISH	PRICE
CP	€132
PN	€146
SSF	€154
AG	€168

V982 Bath boss



FITTING / APPROVALS

Feed: 1/2"

FINISH	PRICE
CP	€160
PN	€174
SSF	€184
AG	€218

V165W, V940W, V941, V942 Hose

FITTING / APPROVALS

Feeds: 1/2"



For WRAS approved versions order V165W, V940W, V941W or V942W.

V165W - 1M
V940W - 1.25M
V941 - 1.5M
V942 - 1.75M

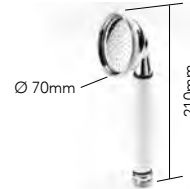


	V165W	V940W	V941	V942
CP	€92	€92	€98	€110
PN	€100	€100	€98	€120
SSF	€104	€104	€134	€146
AG	€124	€124	€182	€192

V954 Hand shower

FITTING / APPROVALS

Feed: 1/2"



FINISH	PRICE
CP	€278
PN	€308
SSF	€318
AG	€390

V299 Bidet spray

We recommend the use of a flow control with this bidet spray

FITTING / APPROVALS

Feed: 1/2"



FINISH	PRICE
CP	€348
PN	€384
SSF	€478
AG	€488

V159-SPR Bidet spray

We recommend the use of a flow control with this bidet spray



FITTING / APPROVALS

Feed: 1/2"




FINISH	PRICE
CP	€468
PN	€536
SSF	€570
AG	€774

Antique Thermostatic showers


V904 100mm skirted shower head



FITTING / APPROVALS	FINISH	PRICE
Feed: 1/2"	CP	€156
	PN	€168
	SSF	€194
	AG	€194

V908 200mm skirted shower head





FITTING / APPROVALS	FINISH	PRICE
Feed: 1/2"	CP	€286
	PN	€312
	SSF	€478
	AG	€478

V909 200mm skirted shower head
(easy clean nozzles)


For WRAS approved version order V909W



FITTING / APPROVALS		V909	V909W
Feed: 1/2"	CP	€324	€324
	PN	€360	€358
	SSF	€526	€526
	AG	€526	€526

V912 300mm skirted shower head





FITTING / APPROVALS	FINISH	PRICE
Feed: 1/2"	CP	€742
	PN	€810
	SSF	€846
	AG	€1,038

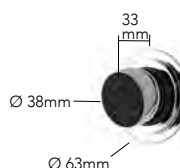
V913 300mm skirted shower head
(easy clean nozzles)

For WRAS approved version order V913W



FITTING / APPROVALS	FINISH	PRICE
Feed: 1/2"	CP	€1,122
	PN	€1,240
	SSF	€1,300
	AG	€1,576


V276 Bodyjet (high flow)



FITTING / APPROVALS	FINISH	PRICE
Feed: 1/2"	CP	€362
	PN	€416
FLOW RATES	SSF	€416
1.0 bar 9.3 l/min	AG	€508
3.0 bar 14.4 l/min		

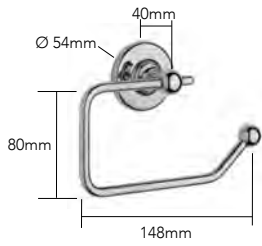
V973 Slider rail



FITTING / APPROVALS	FINISH	PRICE
Feed: 1/2"	CP	€656
	PN	€718
	AG	€908

Antique Accessories

N4337 Paper holder



FINISH	PRICE
CP	€200
PN	€220
NL	€228
AG	€286

N4347 Liquid soap dispenser



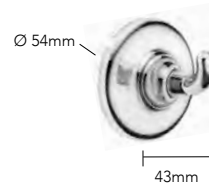
FINISH	PRICE
CP	€428
PN	€468
NL	€488
AG	€598

N4337-C Paper holder with cover



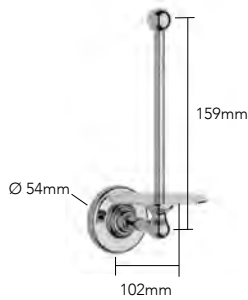
FINISH	PRICE
CP	€306
PN	€332
NL	€348
AG	€436

N4332 Robe hook



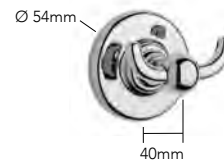
FINISH	PRICE
CP	€150
PN	€164
NL	€172
AG	€216

N4331 Spare paper holder



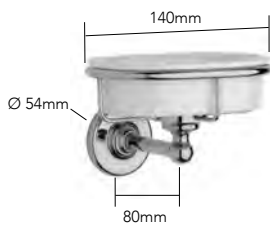
FINISH	PRICE
CP	€240
PN	€266
NL	€276
AG	€352

N4348 Double robe hook



FINISH	PRICE
CP	€188
PN	€206
NL	€220
AG	€272

N4334 Soap dish



FINISH	PRICE
CP	€394
PN	€438
NL	€456
AG	€574

N4398 Towel ring



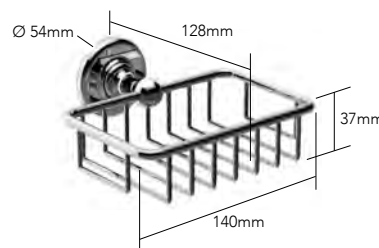
FINISH	PRICE
CP	€178
PN	€196
NL	€202
AG	€248

N4335 Tumbler holder



FINISH	PRICE
CP	€368
PN	€406
NL	€426
AG	€532

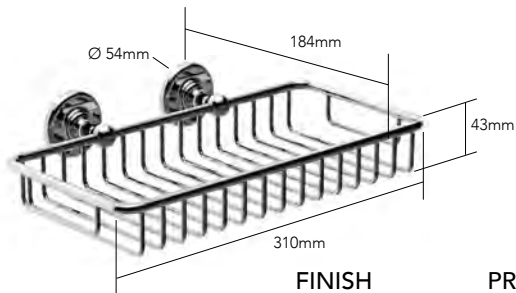
N4330 Soap basket



FINISH	PRICE
CP	€256
PN	€280
NL	€294
AG	€368

Antique Accessories

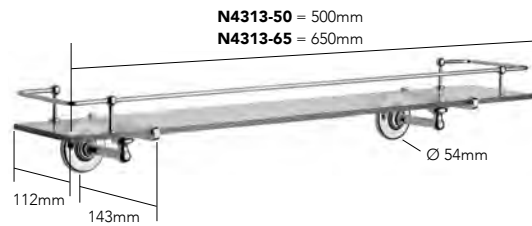
N4326 Large soap basket



FINISH	PRICE
CP	€490
PN	€536
NL	€564
AG	€718

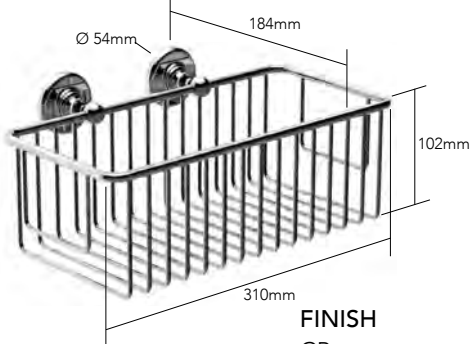
N4313-50, 65 Glass shelf with lifting rail

• Clear glass



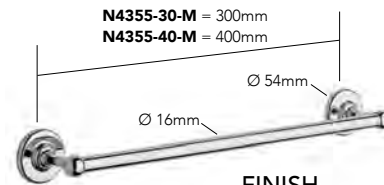
FINISH	N4313-50	-65
CP	€918	€930
PN	€1,018	€1,016
NL	€1,048	€1,062
AG	€1,288	€1,288

N4326-XL Extra large soap basket



FINISH	PRICE
CP	€546
PN	€614
NL	€638
AG	€798

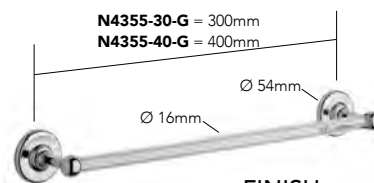
N4355-30-M Single rail - metal rail N4355-40-M Single rail - metal rail



FINISH	N4355-30	-40
CP	€326	€328
PN	€358	€362
NL	€374	€374
AG	€454	€454

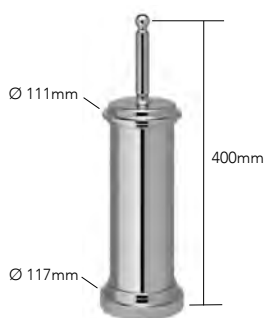
N4355-30-G Single rail - glass rail N4355-40-G Single rail - glass rail

• Clear glass



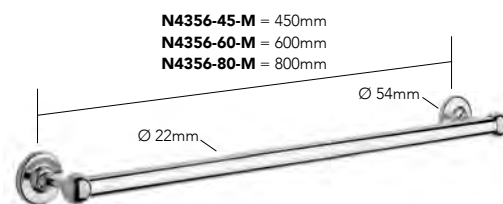
FINISH	N4355-30	-40
CP	€332	€344
PN	€366	€376
NL	€386	€396
AG	€468	€480

N4349-M Toilet brush set - metal container



FINISH	PRICE
CP	€558
PN	€616
NL	€648
AG	€810

N4356-45-M Single rail - metal rail N4356-60-M Single rail - metal rail N4356-80-M Single rail - metal rail



FINISH	N4356-45	-60	-80
CP	€384	€392	€412
PN	€420	€430	€452
NL	€436	€448	€476
AG	€530	€544	€580

N4349-C Toilet brush set - ceramic container

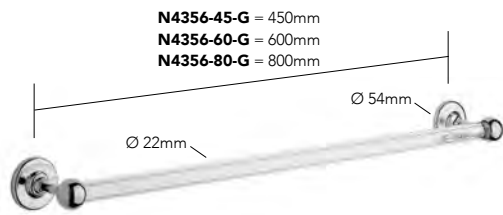


FINISH	PRICE
CP	€450
PN	€498
NL	€520
AG	€634

Antique Accessories

N4356-45-G Single rail - 450mm glass rail
 N4356-60-G Single rail - 600mm glass rail
 N4356-80-G Single rail - 800mm glass rail

• Clear glass



FINISH	N4356-45	-60	-80
CP	€450	€450	€496
PN	€494	€496	€552
NL	€520	€522	€574
AG	€634	€634	€706

N4346-A Framed mirror 500mm H x 375mm W
 N4346-B Framed mirror 600mm H x 450mm W



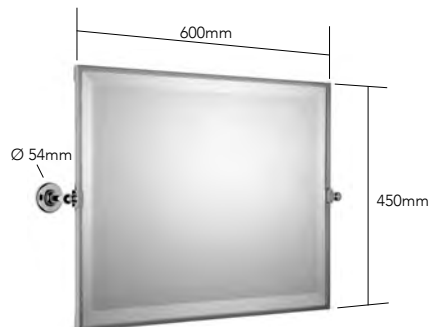
FINISH	N4346-A	-B
CP	€1,084	€1,170
PN	€1,202	€1,290
NL	€1,242	€1,358
AG	€1,576	€1,694

N4343-A Framed mirror 500mm H x 375mm W
 N4343-B Framed mirror 600mm H x 450mm W
 N4343-C Framed mirror 700mm H x 525mm W



FINISH	N4343-A	-B	-C
CP	€1,230	€1,252	€1,396
PN	€1,348	€1,382	€1,540
NL	€1,408	€1,444	€1,612
AG	€1,706	€1,814	€1,956

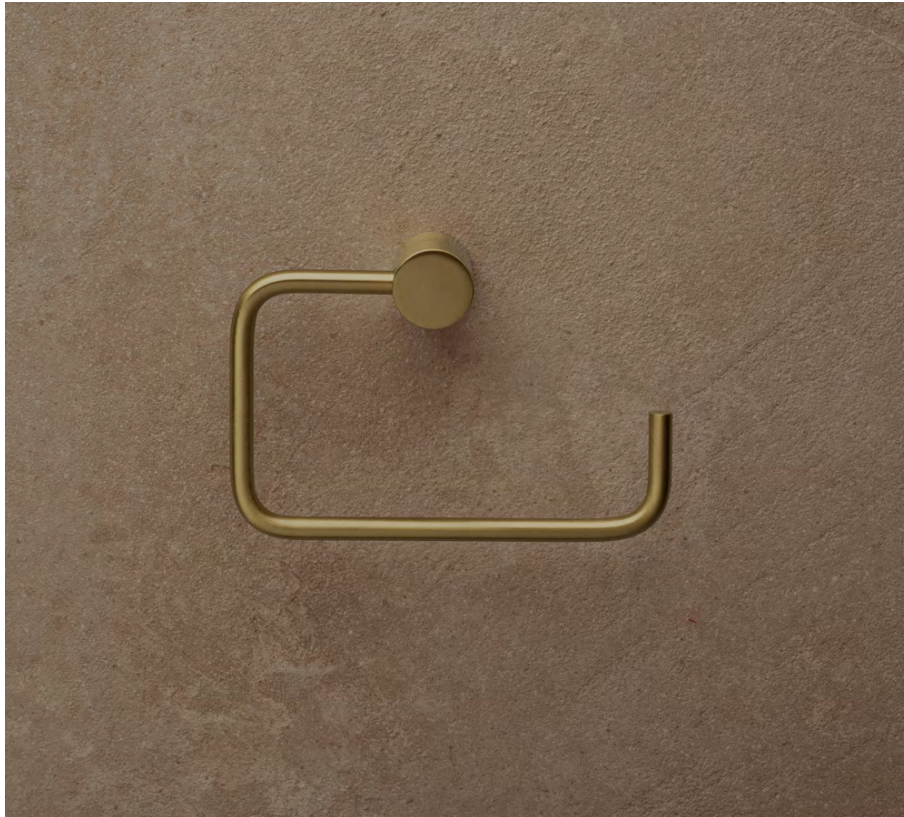
N4343-D Framed mirror



FINISH	PRICE
CP	€1,252
PN	€1,382
NL	€1,444
AG	€1,814

XENON

ACCESSORIES



Paper holder in brushed gold gloss finish

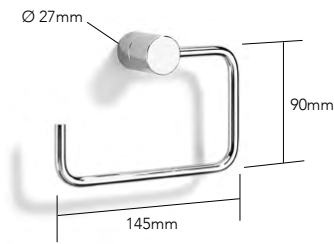
Merging practicality with minimalist styling, the range is designed to add the finishing touch to a beautifully designed bathroom.

The collection is manufactured to the same exacting standards as any other Samuel Heath range, crafted in high-quality brass for a heavyweight experience.

Each accessory is available in a wide range of finishes to complement a contemporary bathroom interior offering enhanced design flexibility to meet the most demanding requirements.

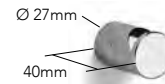
Xenon Accessories

N5037 Paper holder



CP	€110
PN	€120
SSF	€134
URB	€134
BG	€134
BGG	€146
BGM	€146
MBC	€148
ABM	€144
CTB	€144

N5032 Robe hook



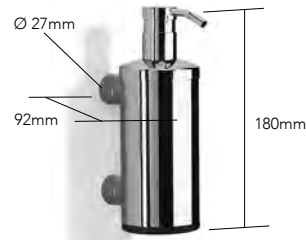
CP	€62
PN	€72
SSF	€74
URB	€74
BG	€74
BGG	€88
BGM	€88
MBC	€84
ABM	€84
CTB	€84

N5031 Spare paper holder



CP	€204
PN	€216
SSF	€228
URB	€228
BG	€228
BGG	€252
BGM	€252
MBC	€266
ABM	€276
CTB	€276

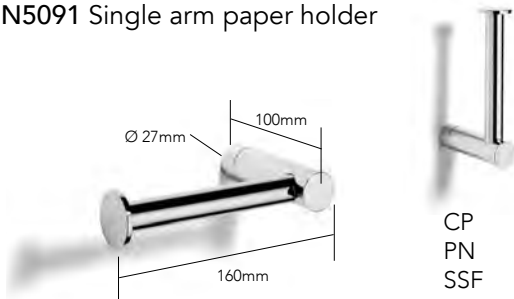
N5304 Liquid soap dispenser



Capacity: Max 235ml.

CP	€396
PN	€432
SSF	€442
URB	€442
BG	€442
BGG	€490
BGM	€490
MBC	€502
ABM	€526
CTB	€526

N5091 Single arm paper holder



CP	€194
PN	€204
SSF	€216
URB	€216
BG	€216
BGG	€240
BGM	€240
MBC	€250
ABM	€250
CTB	€250

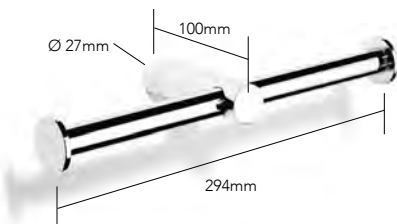
N5035 Tumbler

• Frosted glass



CP	€192
PN	€218
SSF	€230
URB	€230
BG	€230
BGG	€240
BGM	€240
MBC	€252
ABM	€266
CTB	€266

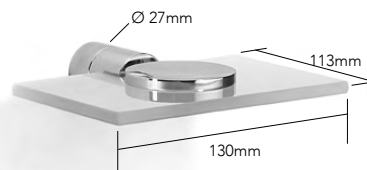
N5092 Double paper holder



CP	€264
PN	€286
SSF	€302
URB	€302
BG	€302
BGG	€324
BGM	€324
MBC	€334
ABM	€350
CTB	€350

N5034 Soap holder

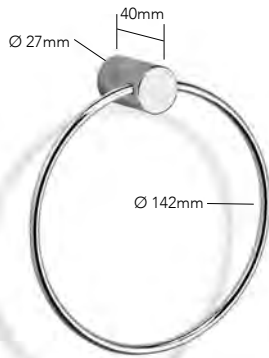
• Frosted glass



CP	€194
PN	€216
SSF	€228
URB	€228
BG	€228
BGG	€240
BGM	€240
MBC	€250
ABM	€264
CTB	€264

Xenon Accessories

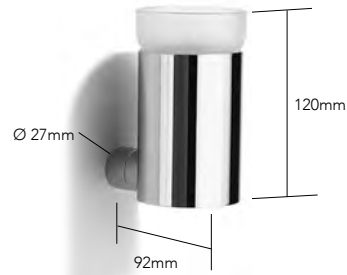
N5098 Towel ring



CP	€134
PN	€146
SSF	€156
URB	€156
BG	€156
BGG	€168
BGM	€168
MBC	€168
ABM	€182
CTB	€182

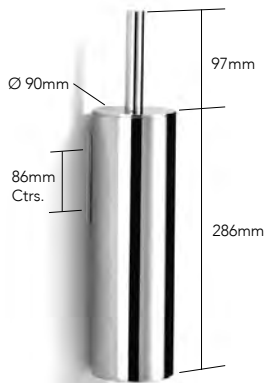
N5045 Toothbrush holder

• Frosted glass



CP	€206
PN	€230
SSF	€240
BG	€240
BGG	€252
BGM	€252
MBC	€266
ABM	€276
CTB	€276

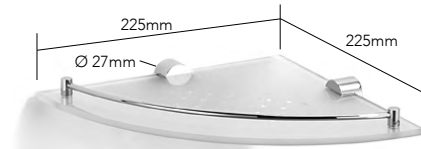
L5042 Wall mounted toilet brush



CP	€350
PN	€386
SSF	€406
URB	€406
BG	€430
BGG	€430
BGM	€430
MBC	€452
ABM	€468
CTB	€468

N5036 Glass corner shelf

• Frosted glass



CP	€266
PN	€288
SSF	€302
BG	€302
BGG	€324
BGM	€324
MBC	€334
ABM	€348
CTB	€348

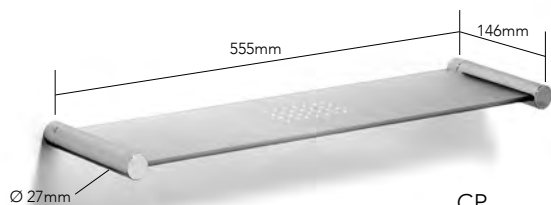
L5044 Freestanding toilet brush



CP	€314
PN	€348
SSF	€360
URB	€360
BG	€360
BGG	€390
BGM	€390
MBC	€406
ABM	€420
CTB	€420

N5113 Glass shelf

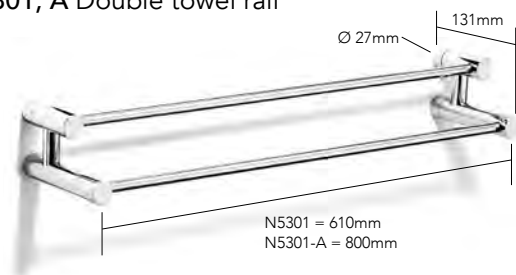
• Frosted glass



CP	€350
PN	€384
SSF	€396
BG	€396
BGG	€434
BGM	€434
MBC	€454
ABM	€468
CTB	€468

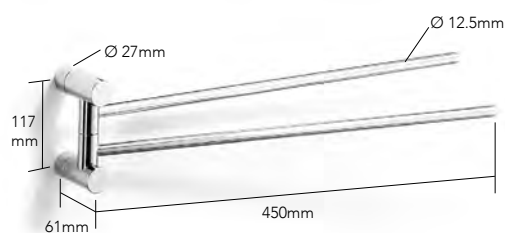
Xenon Accessories

N5301, A Double towel rail



	N5301	-A
CP	€502	€562
PN	€552	€616
SSF	€572	€646
BG	€572	€688
BGG	€620	€750
BGM	€620	€750
MBC	€646	€764
ABM	€670	€792
CTB	€670	€792

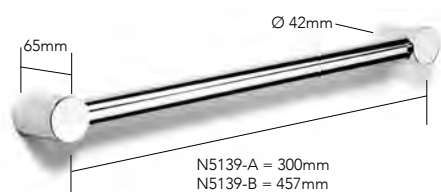
N5094 Swivel towel rail



	CP	€406
PN	€452	
SSF	€468	
BG	€468	
BGG	€516	
BGM	€516	
MBC	€524	
ABM	€552	
CTB	€552	

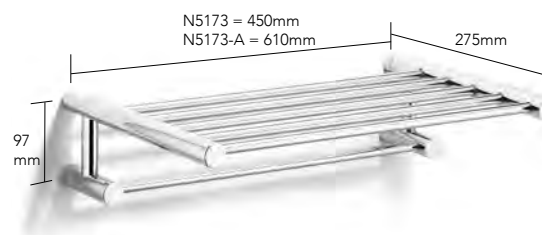
N5139-A, B Grab rail

Fixing screws not supplied



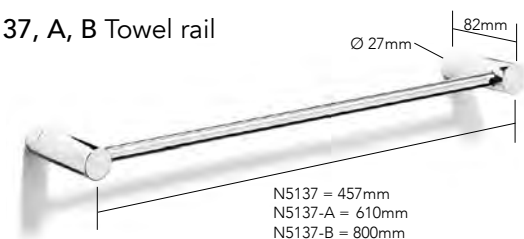
	N5139-A	-B
CP	€370	€408
PN	€420	€444
SSF	€432	€470
BG	€432	€470
BGG	€468	€514
BGM	€468	€514
MBC	€490	€526
ABM	€502	€552
CTB	€502	€552

N5173, A Towel shelf



	N5173	-A
CP	€860	€1,038
PN	€944	€1,146
SSF	€980	€1,206
BG	€980	€1,206
BGG	€1,064	€1,300
BGM	€1,064	€1,300
MBC	-	-
ABM	€1,146	€1,406
CTB	€1,146	€1,406

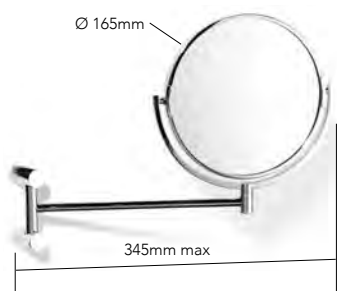
N5137, A, B Towel rail



	N5137	-A	-B
CP	€218	€230	€240
PN	€240	€250	€266
SSF	€240	€252	€276
URB	€240	€252	€276
BG	€240	€252	€276
BGG	€266	€276	€300
BGM	€266	€276	€300
MBC	€276	€286	€314
ABM	€286	€300	€324
CTB	€286	€300	€324

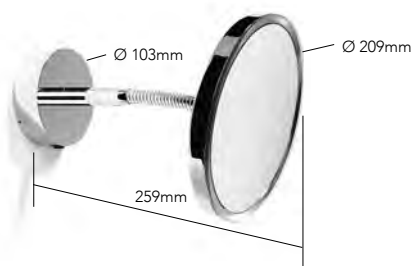
Xenon Accessories

L5118 Pivotal mirror, plain/magnifying (x5)



CP	€524
SSF	€608
BG	€608
BGG	€656
BGM	€656
MBC	€682
ABM	€724
CTB	€724

N520-1 LED Illuminated mirror (x5)



CP	€1,526
PN	€1,680
SSF	€1,752

L5326 Bathroom stand

- Frosted glass



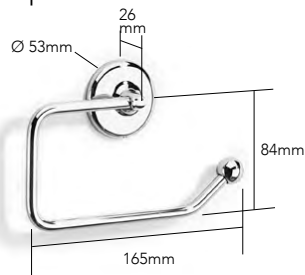
CP	€1,742
----	--------

Wall Mounted Accessories

Samuel Heath wall mounted accessories offer luxury, desirable practicality and a superb complement to our taps and showers.

Novis Accessories

N1037 Paper holder



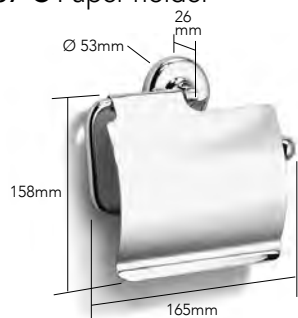
CP	€146
PN	€156
PB	€168
SSF/NL	€168
BG	€168
BGG	€182
BGM	€182
ABM	€204
CTB	€204
AG	€204

N1034 Soap holder



CP	€184
PN	€204
PB	€204
SSF/NL	€204
BG	€204
BGG	€230
BGM	€230
ABM	€240
CTB	€240
AG	€252

N1037-C Paper holder



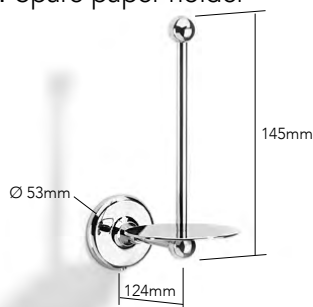
CP	€250
PN	€276
SSF/NL	€286
BG	€286
BGG	€302
BGM	€302
ABM	€314
CTB	€314
AG	€324

L303 Wall mounted soap dispenser



CP	€350
PN	€384
SSF/NL	€396
BG	€396
BGG	€432
BGM	€432
ABM	€468
CTB	€468
AG	€478

N1031 Spare paper holder



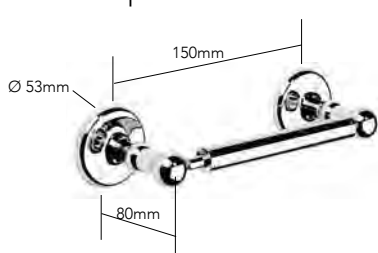
CP	€204
PN	€230
PB	€240
SSF/NL	€240
BG	€240
BGG	€250
BGM	€250
ABM	€278
CTB	€278
AG	€288

N1047 Liquid soap dispenser



CP	€216
PN	€240
PB	€250
SSF/NL	€250
BG	€250
BGG	€278
BGM	€278
ABM	€302
CTB	€302
AG	€314

N1052 Paper holder



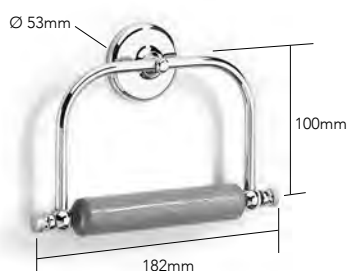
CP	€276
PN	€312
PB	€324
SSF/NL	€324
BG	€324
BGG	€350
BGM	€350
ABM	€370
CTB	€370
AG	€386

N1035 Tumbler holder



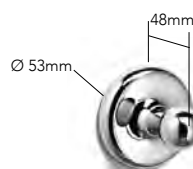
CP	€182
PN	€194
PB	€204
SSF/NL	€204
BG	€204
BGG	€218
BGM	€218
ABM	€240
CTB	€240
AG	€240

N1020 Paper holder



CP	€268
PN	€292
SSF/NL	€308
BG	€308
BGG	€322
BGM	€322
ABM	€360
CTB	€360

N1032 Robe hook



CP	€110
PN	€122
PB	€134
SSF/NL	€134
BG	€134
BGG	€146
BGM	€146
ABM	€148
CTB	€148
AG	€158

Novis Accessories

N1048 Robe hook



CP	€132
PN	€146
PB	€156
SSF/NL	€156
BG	€156
BGG	€166
BGM	€166
ABM	€184
CTB	€184
AG	€182

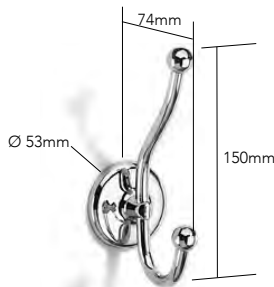
N1098-6, N1098-8 Towel ring



N1098-6 -8

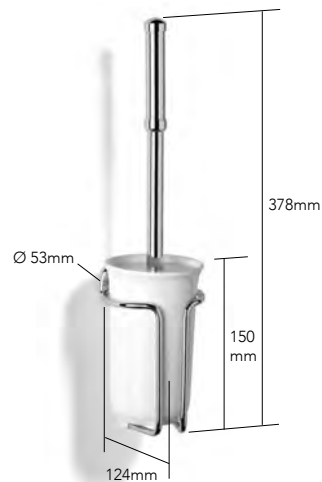
CP	€156	€184
PN	€184	€204
PB	€182	-
SSF/NL	€182	€204
BG	€182	€204
BGG	€204	€230
BGM	€204	€230
ABM	€218	€240
CTB	€218	€240
AG	€230	-

N1039 Double robe hook



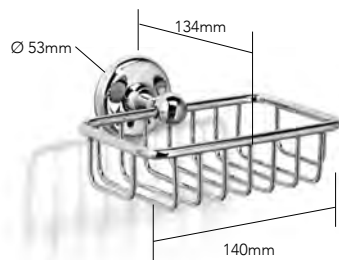
CP	€182
PN	€194
PB	€204
SSF/NL	€204
BG	€204
BGG	€218
BGM	€218
ABM	€240
CTB	€240
AG	€240

N1049 Wall mounted toilet brush



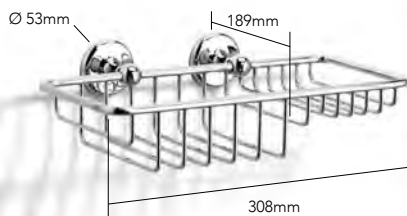
CP	€324
PN	€348
PB	€360
SSF/NL	€360
BG	€360
BGG	€396
BGM	€396
ABM	€430
CTB	€430
AG	€442

N1030 Soap basket



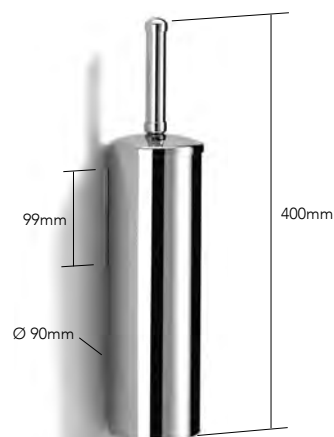
CP	€240
PN	€264
PB	€278
SSF/NL	€278
BG	€278
BGG	€302
BGM	€302
ABM	€324
CTB	€324
AG	€334

N1026-W Soap/sponge basket



CP	€452
PN	€502
SSF/NL	€526
BG	€526
BGG	€572
BGM	€572
ABM	€622
CTB	€622
AG	€634

L42 Wall mounted toilet brush

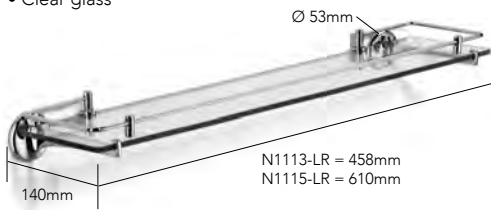


CP	€360
PN	€386
SSF/NL	€408
BG	€408
BGG	€442
BGM	€442
ABM	€480
CTB	€480

Novis Accessories

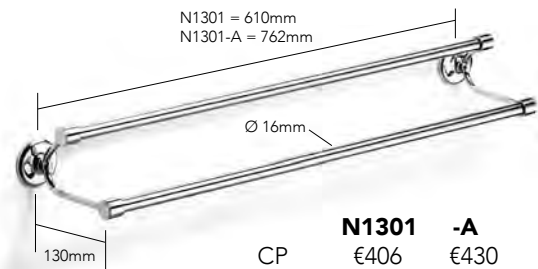
N1113-LR, N1115-LR Glass shelf with lifting rail

• Clear glass



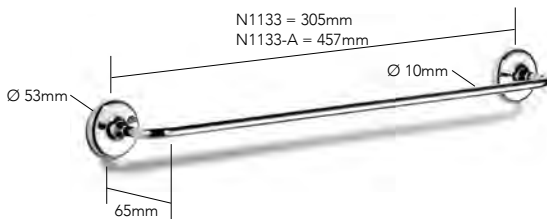
	N1113	N1115-LR
CP	€646	€668
PN	€718	€728
SSF/NL	€752	€764
BG	€752	€764
BGG	€810	€836
BGM	€810	€836
ABM	€872	€896
CTB	€872	€896
AG	€906	-

N1301, A Double towel rail



	N1301	-A
CP	€406	€430
PN	€452	-
PB	€468	-
SSF/NL	€468	-
BG	€468	-
BGG	€514	-
BGM	€514	-
ABM	€552	-
CTB	€552	-
AG	€574	€598

N1133, A Towel rail



	N1133	-A
CP	€252	€266
PN	€276	€286
SSF/NL	€288	€302
BG	€288	€302
BGG	€312	€324
BGM	€312	€324
ABM	€334	€350
CTB	€334	€350

N1737, A Towel shelf



	N1737	-A
CP	€898	€1,158
PN	€980	€1,276
SSF/NL	€1,026	€1,322
BG	€1,026	€1,322
BGG	€1,110	€1,444
BGM	€1,110	€1,444
ABM	€1,194	€1,562
CTB	€1,194	€1,562
AG	€1,240	€1,624

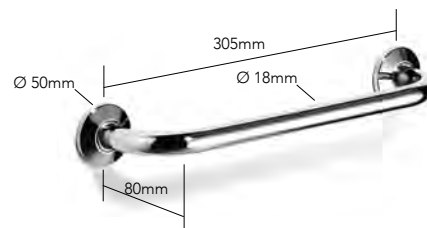
N1055, A Towel rail



	N1055	-A
CP	€312	€312
PN	€334	€348
PB	€348	€358
SSF/NL	€348	€358
BG	€348	€358
BGG	€384	€394
BGM	€384	€394
ABM	€406	€418
CTB	€406	€418
AG	€432	€442

N9759 Grab rail

Fixing screws are not supplied

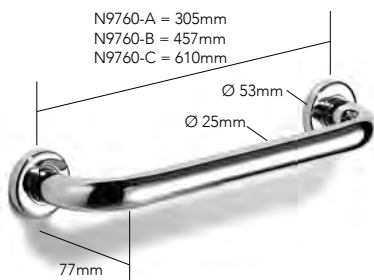


CP	€276
----	------

Novis Accessories

N9760-A, B, C Grab rail

Fixing screws are not supplied



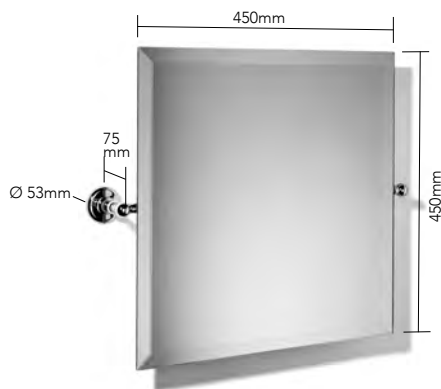
	N9760-A	-B	-C
CP	€266	€288	€302
PN	€286	€312	€322
PB	€302	€324	-
SSF/NL	€302	€324	€334
BG	€302	€324	€334
BGG	€334	€360	€370
BGM	€334	€360	€370
ABM	€386	€384	€396
CTB	€386	€384	€396
AG	€370	€396	-

L1145, XL Tilting mirror



	L1145	-XL
CP	€526	€692
PN	€574	€764
PB	-	-
SSF/NL	€598	€788
BG	€598	€788
BGG	€656	€860
BGM	€656	€860
ABM	€704	€930
CTB	€704	€930
AG	€728	€964

L1143 Tilting mirror



CP	€504
PN	€552
SSF/NL	€584
BG	€584
BGG	€634
BGM	€634
ABM	€680
CTB	€680

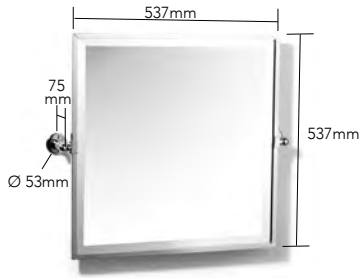
L1146, XL Tilting mirror



	L1146	-XL
CP	€524	€692
PN	€586	€764
PB	€610	€802
SSF/NL	€610	€802
BG	€610	€802
BGG	€658	€870
BGM	€658	€870
ABM	€714	€944
CTB	€714	€944
AG	€742	€980

Novis Accessories

L1149 Framed bevelled tilting mirror



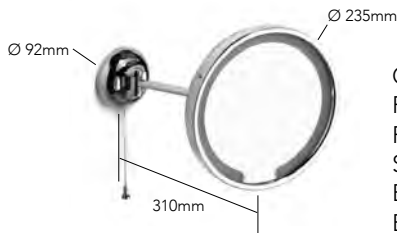
CP	€1,192
PN	€1,312
SSF/NL	€1,372
BG	€1,372
BGG	€1,492
BGM	€1,492
ABM	€1,612
CTB	€1,612

L119 Pivotal mirror, plain/magnifying (x3)



CP	€728
----	------

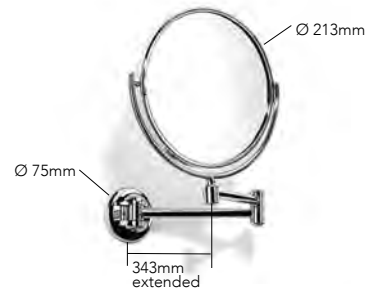
N509-3 Single arm LED illuminated magnifying (x5) pivotal mirror (class 1)



CP	€1,526
PN	€1,680
PB	€1,752
SSF	€1,752
BG	€1,752
BGG	€1,908
BGM	€1,908
ABM	€2,050
CTB	€2,050

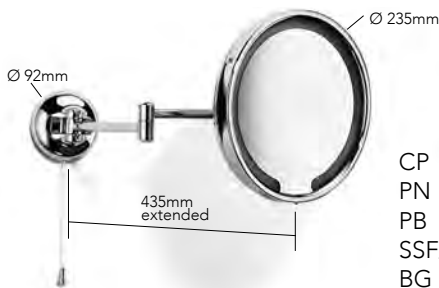
IP44 For use in zones 2 & 3

L115 Pivotal mirror, plain/magnifying (x3)



CP	€824
PN	€908
PB	€944
SSF	€944
BG	€944
BGG	€1,028
BGM	€1,028
ABM	€1,110
CTB	€1,110
AG	€1,146

N510-3 Double arm LED illuminated magnifying (x5) pivotal mirror (class 1)



CP	€1,632
PN	€1,790
PB	€1,872
SSF/NL	€1,872
BG	€1,872
BGG	€2,038
BGM	€2,038
ABM	€2,206
CTB	€2,206
AG	€2,276

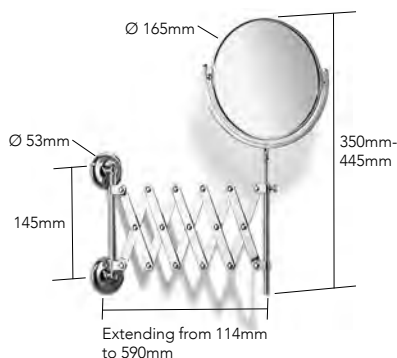
IP44 For use in zones 2 & 3

L118 Pivotal mirror, plain/magnifying (x5)



CP	€476
----	------

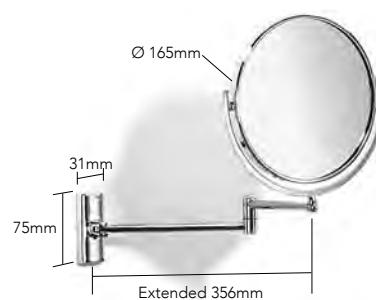
L1108 Extending mirror plain/magnifying (x5)



CP	€980
PN	€1,084
PB	€1,122
SSF	€1,122
BG	€1,122
BGG	€1,216
BGM	€1,216
AG	€1,358

500 **NOVIS**

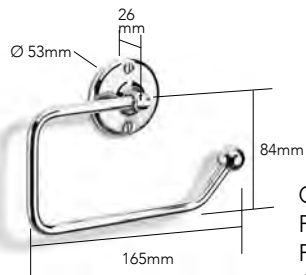
L114 Pivotal mirror, plain/magnifying (x5)



CP	€556
PN	€608

Curzon Accessories

N37 Paper holder



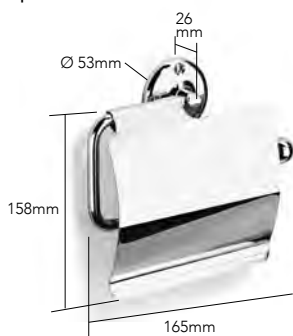
CP	€134
PN	€146
PB	€156
AG	€182

N34 Soap holder



CP	€160
PN	€182
PB	€188
AG	€226

N37-C Paper holder



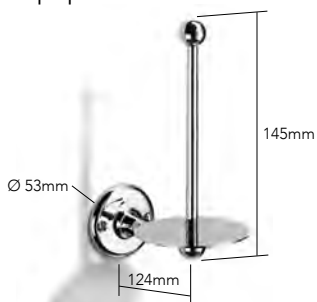
CP	€230
PN	€250
PB	€266

N47 Liquid soap dispenser



CP	€196
PN	€218
PB	€228
AG	€274

N31 Spare paper holder



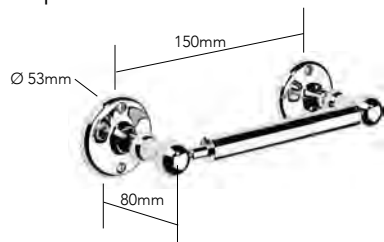
CP	€184
PN	€200
PB	€208
AG	€256

N35 Tumbler holder



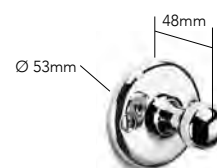
CP	€160
PN	€182
PB	€188
NL	€188
AG	€226

N52 Paper holder



CP	€250
PN	€278
PB	€288
AG	€354

N32 Robe hook



CP	€94
PB	€110
AG	€132

N20 Paper holder



CP	€256
PN	€282
NL	€292

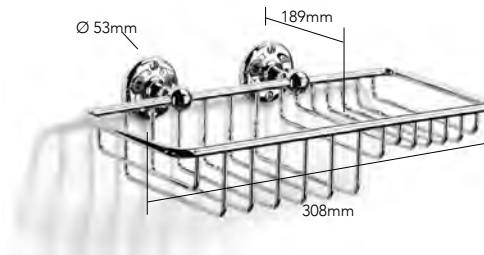
Curzon Accessories

N48 Robe hook



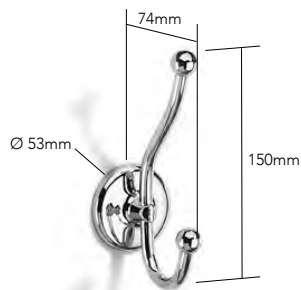
CP	€118
PN	€132
PB	€146
AG	€176

N26-W Soap/sponge basket



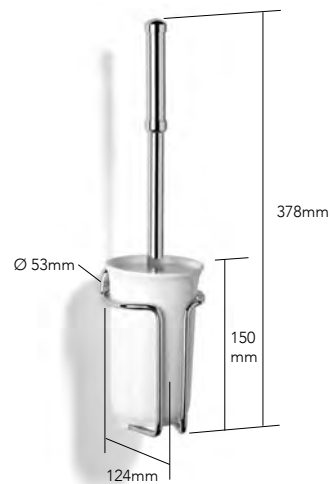
CP	€410
PN	€452
PB	€472
AG	€572

N39 Double robe hook



CP	€152
PN	€166
PB	€176
AG	€210

N1049 Wall mounted toilet brush



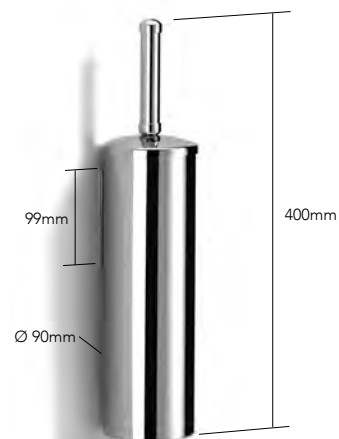
CP	€324
PN	€348
PB	€360
SSF	€360
AG	€442

N98-6 Towel ring



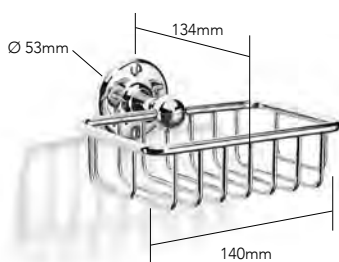
CP	€148
PN	€160
PB	€168
AG	€204

L42 Wall mounted toilet brush



CP	€360
PN	€386
SSF/NL	€408

N30 Soap basket



CP	€208
PN	€232
AG	€292

Curzon Accessories

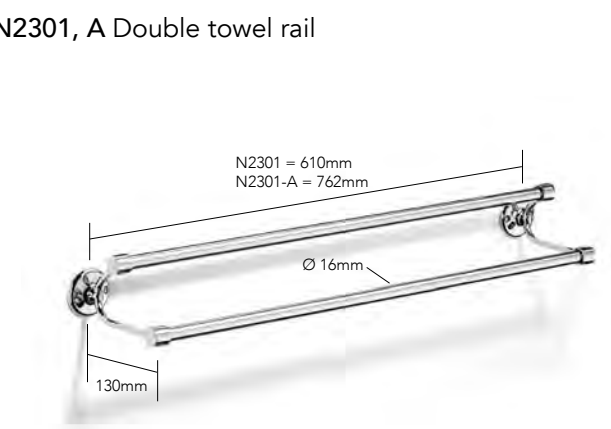
N2113, N2114 Glass shelf with fixed rail

- Clear glass



	N2113	N2114
CP	€416	€448
PN	€460	-
PB	€482	-
AG	€586	-

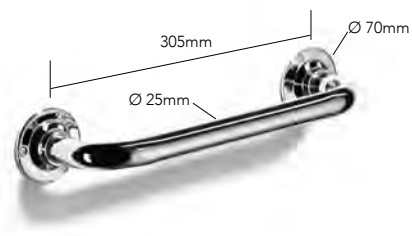
N2301, A Double towel rail



	N2301 -A	
CP	€400	€410
PN	€440	€448
PB	€462	-
AG	€562	€572

N19-B Grab rail

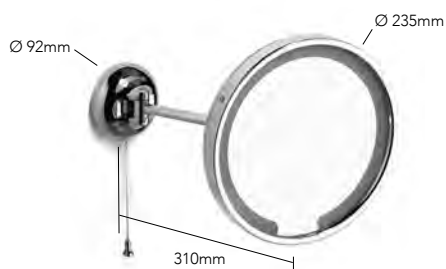
Fixing screws are not supplied



CP	€236
PN	€262
PB	€274
AG	€332

Curzon Accessories

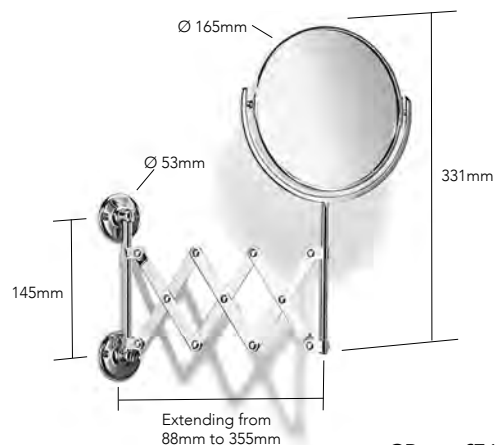
N509-3 Single arm LED illuminated magnifying (x5) pivotal mirror (class 1)



IP44 For use in zones 2 & 3

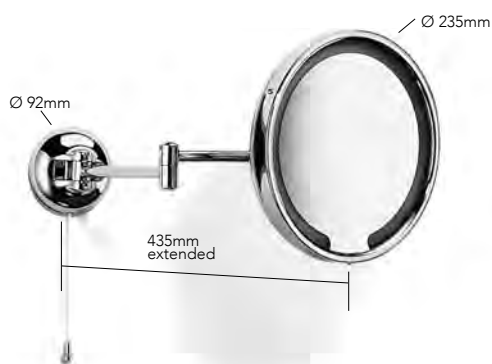
CP €1,526
 PN €1,680
 PB €1,752
 SSF €1,752

L110 Extending mirror plain/magnifying (x5)



CP €718
 PN €788
 PB €836
 AG €980

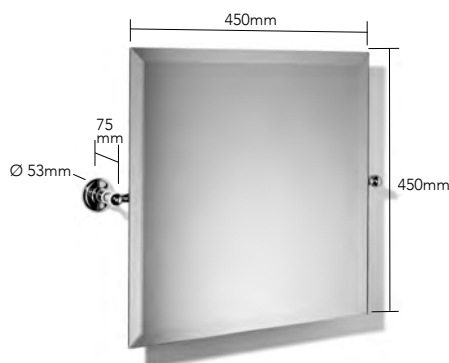
N510-3 Double arm LED illuminated magnifying (x5) pivotal mirror (class 1)



IP44 For use in zones 2 & 3

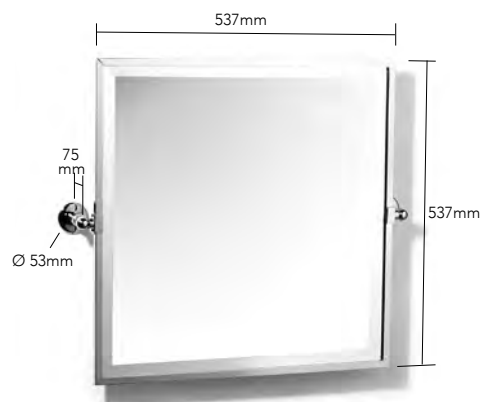
CP €1,632
 PN €1,790
 PB €1,872
 SSF €1,872
 NL €1,872
 AG €2,276

L1143 Tilting mirror



CP €504
 PN €552
 SSF €584

L1149 Framed bevelled tilting mirror



CP €1,192
 PN €1,312
 SSF/NL €1,372
 BG €1,372
 BGG €1,492
 BGM €1,492
 ABM €1,612
 CTB €1,612

Curzon Accessories

L1145, XL Tilting mirror



	L1145	-XL
CP	€526	€692
PN	€574	€764
PB	-	-
SSF	€598	€788
NL	-	-
AG	€728	€964

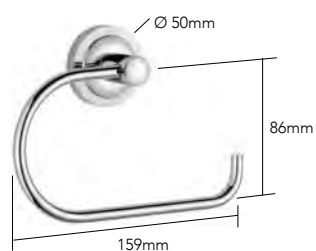
L1146, XL Tilting mirror



	L1146	-XL
CP	€524	€692
PN	€586	€764
PB	€610	€802
SSF	€610	€802
AG	€742	€980

INTRO Series 7000

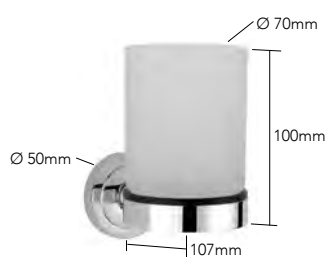
N7037 Paper holder



CP €88

N7035 Tumbler holder

- Frosted glass



CP €98

N7041 Spare paper holder



CP €110

N7032 Robe hook



CP €50

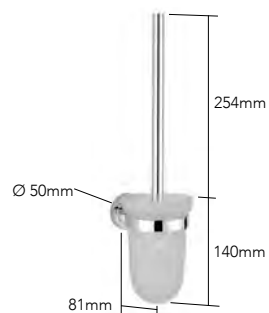
N7034 Soap dish

- Frosted glass



CP €98

N7049 Wall mounted toilet brush



CP €158

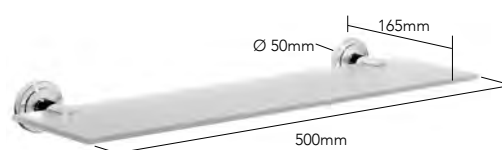
N7047 Liquid soap dispenser



CP €216

N7043 Glass shelf

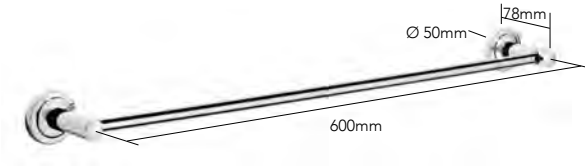
- Frosted glass



CP €158

INTRO Series 7000

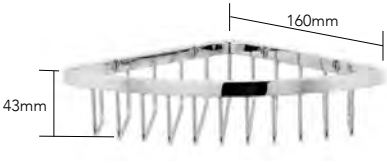
N7051 Towel rail



CP €194

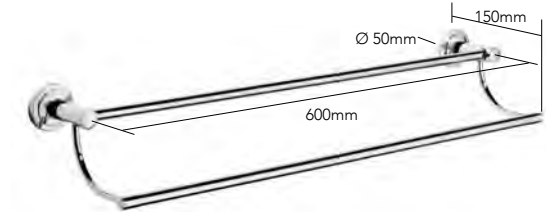
INTRO Shower Accessories

N7902 Corner shower basket (small) visible fix



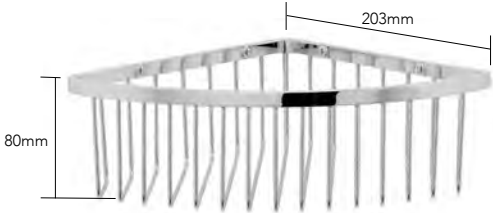
CP €120

N7052 Double towel rail



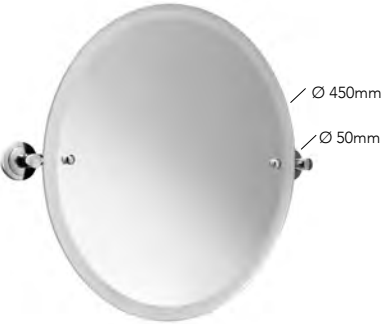
CP €268

N7905 Corner shower basket (large) visible fix



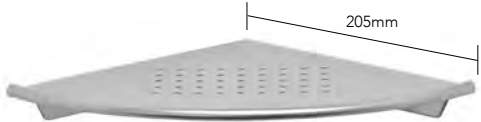
CP €184

N7060 Tilting mirror



CP €396

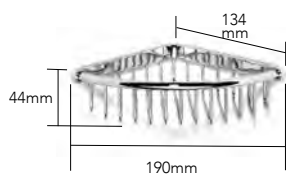
N7913 Stainless steel corner shelf



SS €182

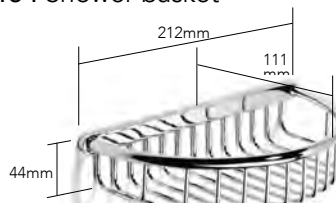
Shower Accessories - Concealed fix, lift off baskets

N156 Corner shower basket



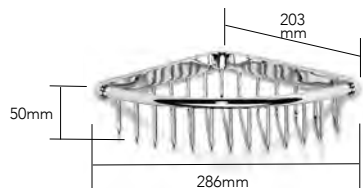
CP €216
 PN €230
 PB €240
 SSF €240

N154 Shower basket



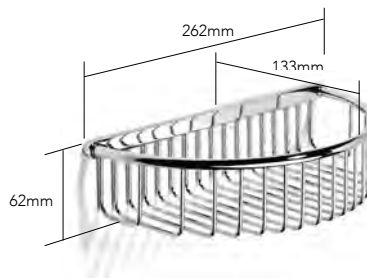
CP €240
 PN €266
 SSF €276

N156-XL Corner shower basket



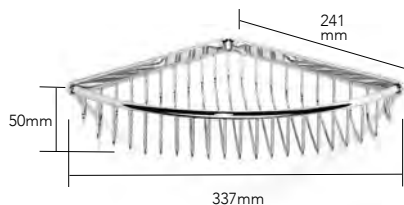
CP €288
 PN €324
 PB €334
 SSF €334
 AG €406

N154-XL Shower basket



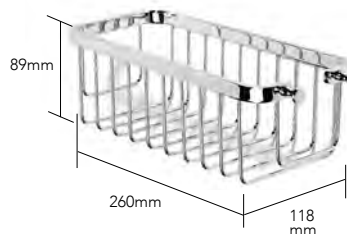
CP €288
 PN €322
 SSF €334
 AG €406

N156-GXL Corner shower basket



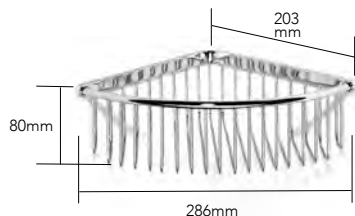
CP €360
 PN €396
 SSF €418

N152 Shower basket



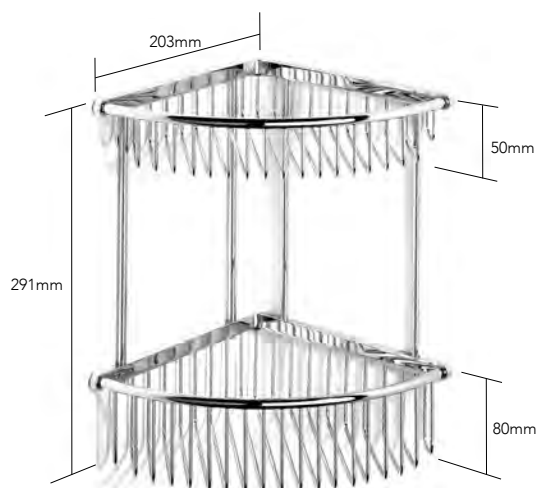
CP €360
 PN €396
 SSF €420
 AG €502

N158-XL Corner shower basket



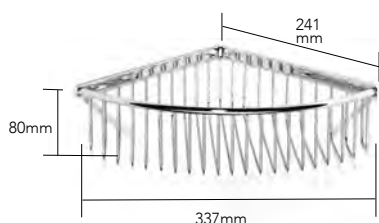
CP €288
 PN €324
 PB €334
 SSF €334
 NL €334
 URB €334
 BG €334
 BGG €360
 BGM€360
 MBC €372
 ABM €386
 CTB €386
 CNB €386
 AG €406

N24 Double corner shower basket



CP €776

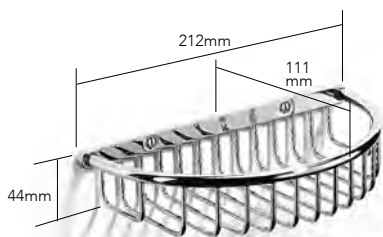
N158-GXL Corner shower basket



CP €370
 PN €408
 SSF €418
 NL €418
 BG €418
 BGG €454
 BGM€454
 MBC €478
 ABM €490
 CTB €490

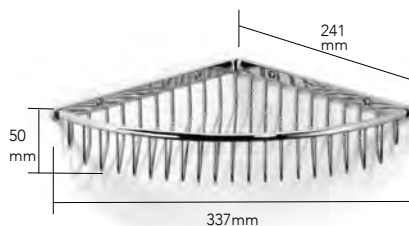
Shower Accessories - Visible fix baskets

N153 Shower basket



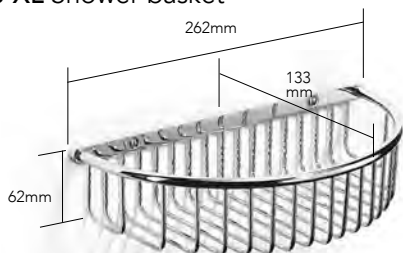
CP €240
PN €266
SSF €276

N36-GXL Corner shower basket



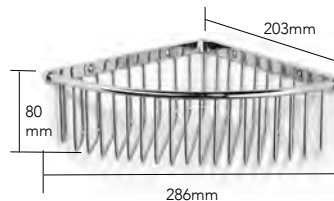
CP €370
PN €408
SSF €418

N153-XL Shower basket



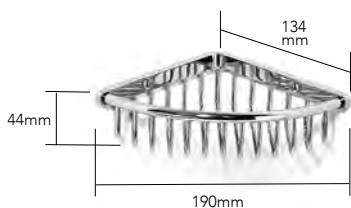
CP €288
PN €322
SSF €334
AG €406

N151-XL Corner shower basket



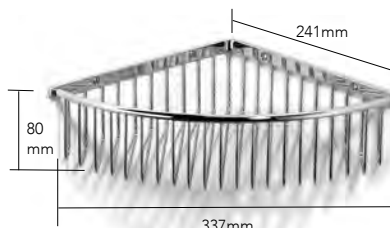
CP €288
PN €312
PB €334
SSF €334
ABM €386
CTB €386
AG €396

N36 Corner shower basket



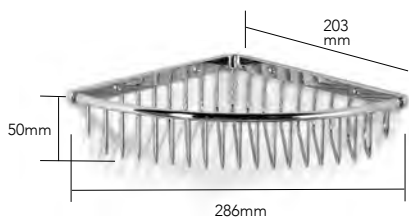
CP €216
PN €230
PB €240
SSF €240
AG €286

N151-GXL Corner shower basket



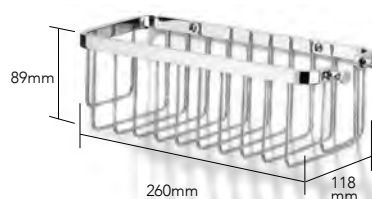
CP €370
PN €408
PB €418
SSF €418
AG €514

N36-XL Corner shower basket



CP €288
PN €324
PB €334
SSF €334
AG €406

N28 Shower basket



CP €370
PN €408
PB €418
AG €514

Freestanding soap rack in chrome plate



Freestanding Accessories

Beauty and solidity are the defining characteristics of Samuel Heath's freestanding bathroom accessories collection. Classic and contemporary designs are offered as perfect counterparts to our taps and showers. From such necessities as soap and toothbrush holders to striking towel stands, these accessories are the final elements that can make any bathroom complete.

Freestanding Accessories

L107 Mirror plain/magnifying (x5) adjustable height



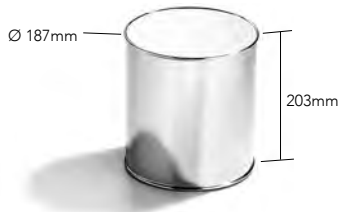
CP €526
 PN €586
 PB €610
 SSF €610
 AG €742

L302 Liquid soap dispenser



CP €290
 PN €318
 PB €332
 SSF €332
 MBC €374
 AG €404

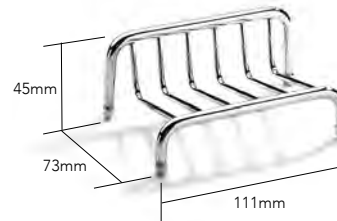
L10 Bathroom bin



CP €322
 PN €358
 PB €372
 SSF €372
 MBC €450
 AG €420

Capacity approx. 5 litres

N29 Soap rack



CP €136
 PN €150
 SSF €154

L12 Bathroom bin with lid



CP €496
 PN €550
 PB €572
 SSF/NL €572
 MBC €644
 ABM €680
 CTB €680
 AG €704

Capacity approx. 5 litres

L64 Soap holder



CP €184
 PN €196
 SSF €206

L66 Liquid soap dispenser



CP €202
 PN €222
 SSF €232

220ml.

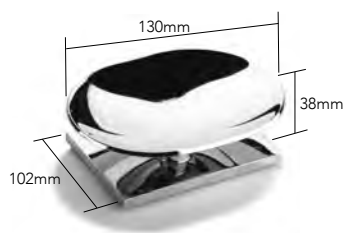
L65 Tumbler holder



CP €158
 PN €176
 SSF €184

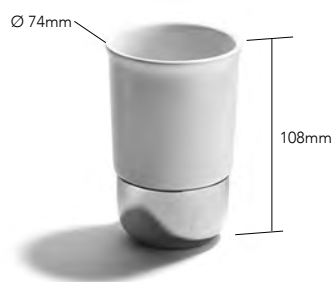
Freestanding Accessories

L140 Soap holder



CP €270
PN €298
SSF €312
MBC €350
AG €374

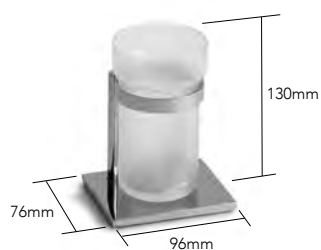
L77 Tumbler holder



CP €94

L141 Tumbler holder

- Frosted glass



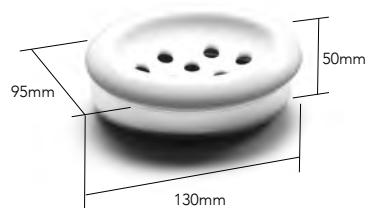
CP €276
PN €304
PB €316
SSF €316
MBC €356
AG €386

L142 Toothbrush holder



CP €258
PN €282
PB €298
SSF €298
MBC €334
AG €358

L76 Soap holder



CP €138

Freestanding Accessories

N6664W Soap holder - white ceramic STYLE MODERNE



CP	€240
PN	€266
SSF/NL	€276
ABM	€314
CTB/CNB	€314
AG	€324

N6664B Soap holder - black ceramic STYLE MODERNE



CP	€240
PN	€266
SSF/NL	€276
ABM	€314
CTB/CNB	€314
AG	€324

N6666W Liquid soap dispenser - white ceramic STYLE MODERNE



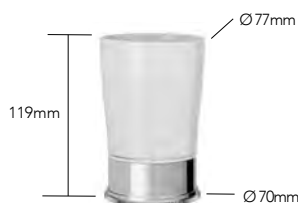
CP	€278
PN	€302
SSF/NL	€314
ABM	€360
CTB/CNB	€360
AG	€384

N6666B Liquid soap dispenser - black ceramic STYLE MODERNE



CP	€278
PN	€302
SSF/NL	€314
ABM	€360
CTB/CNB	€360
AG	€384

N6665W Tumbler holder - white ceramic STYLE MODERNE



CP	€240
PN	€264
SSF/NL	€276
ABM	€314
CTB/CNB	€314
AG	€324

N6665B Tumbler holder - black ceramic STYLE MODERNE



CP	€240
PN	€264
SSF/NL	€276
ABM	€314
CTB/CNB	€314
AG	€324

N9564 Soap holder - *Fairfield*



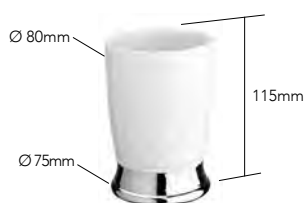
CP	€232
PN	€252
SSF/NL	€268
ABM	€314
CTB/CNB	€314
AG	€324

N9566 Liquid soap dispenser - *Fairfield*



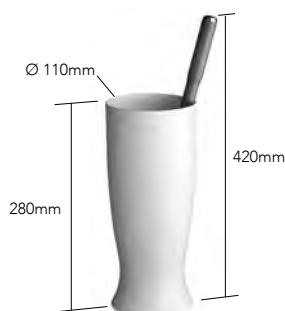
CP	€266
PN	€288
SSF/NL	€304
ABM	€358
CTB/CNB	€358
AG	€368

N9565 Tumbler holder - *Fairfield*



CP	€232
PN	€252
SSF/NL	€268
ABM	€314
CTB/CNB	€314
AG	€324

N9549 Toilet brush set - *Fairfield*



CP	€188
PN	€200
SSF/NL	€214
ABM	€248
CTB/CNB	€248
AG	€258

Freestanding Accessories

L232 Spare paper holder



CP	€258
PN	€282
PB	€294
NL	€294
AG	€358

L49 Toilet brush

Ceramic container



CP	€218
PN	€240
PB	€248
SSF	€248
AG	€306

L40 Toilet brush

Ceramic container



CP	€286
PN	€316
PB	€326
AG	€398

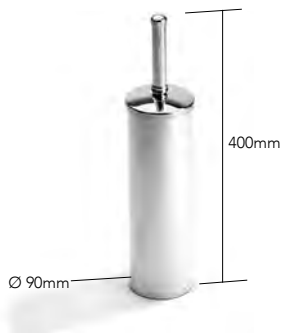
L228 Paper holder



CP	€332
PN	€366
PB	€384
SSF/NL	€384
AG	€468

L44 Toilet brush

Metal container



CP	€316
PN	€350
PB	€364
SSF/NL	€364
AG	€442

L41 Toilet brush

Ceramic container



CP	€350
PN	€386
PB	€400
AG	€486

Freestanding Accessories

L908 Towel stand



CP €1,870
PN €2,064
PB €2,148
SSF €2,148
AG €2,622

L5326 Bathroom stand

- Clear glass



CP €1,742

L928 Trolley

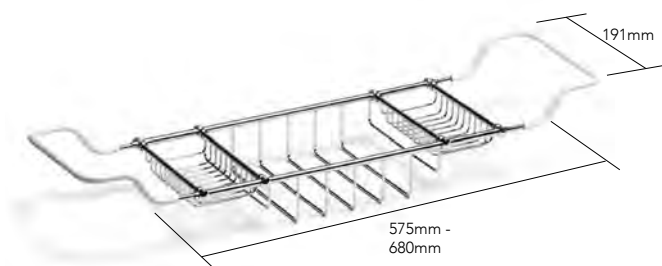
- Frosted glass



CP €1,456
PN €1,612

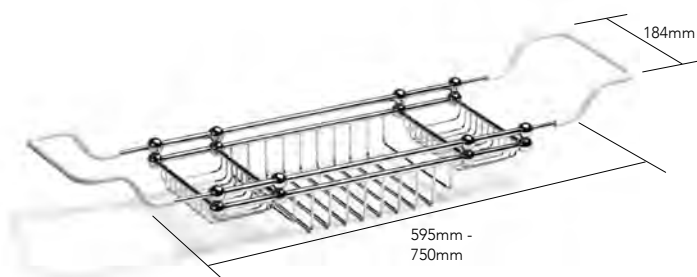
Freestanding Accessories

N328 Soap and sponge tray



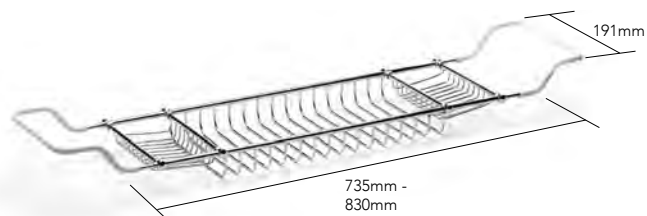
CP €692
PN €766
PB €788
SSF €788
AG €966

N331 Soap and sponge tray



CP €966

N334 Soap and sponge tray extra wide



CP €824
PN €908
PB €956
AG €1,158

Spares

	White ceramic	Black ceramic	CP	PN	AG	SSF	CNB /CTB	MBC	PB	No finish
Soap dishes and dispensers										
L9810 Dish for L76	82									
L9812 Soap dish for N34, L64, L91, N1034, N4334	56									
L9827 Glass Soap dish for N7634										106
L9837 Soap dish for N6634	94	94								
L9870 Soap dish for N4234	94									
L9880 Soap dish for N9534, N9564	70									
L9838 Bottle for L302, L303, L5304, L5150										30
L9860 Glass for N5034										82
L9872 Container for N4247										96
L9873 Pump for N4247 (Also suits N9566, N47, N1047, L66, N6647)			54	56	70	56			56	
L9874 Container for N47, N1047, L66, N4347	80									
L9875 Soap dispenser pump for N5304, L5150			226	252		266				
L9876 Soap dispenser for N9566	94									
L9877 Bottle pump and top for L302, L303			224	252	318	264				
L9878 Container for N6647	96									
L9879 Soap Dispenser pump for N5305			186	200		210				
N7071 Glass Soap Dish for N7034										52
N7074 Soap bottle and plunger for N7047			98							
Tumblers										
L9809 for L77, L91	54									
L9811 for N35, N45, L65, L78, L81, L91, N1035, N1045, N4335	70									
L9826 for N6635	106	106								
L9828 for N7635										92
L9871 for N4235	106									
L9881 for N9535, N9565	56									
L9861 for N5035										122
L9862 for L141, N5045, L5150										122
N7072 Glass Tumbler for N7035										52
Toilet brush sets										
L9802 Metal stem, flange and brush head for L40, N1049			70	70	80	70			70	
L9802-HN Handle, stem, flange and brush head for L40, N1049			106	120	160	134			134	
L9803 Metal stem and brush head for L41, L42, L44, L49, L233, L234, L5042, L5044, L7642, L7644			56	68	80	70			70	
L9803-HN Handle, stem and brush head for L42, L44			158	174	214	174			174	
L9803-HX Handle, stem and brush head for L5042, L5044			144	146		160				
L9804-GB Spare Stem, Black Flange and Brush Head for N6649B			120	120	162	134				
L9804-GW Spare Stem, White Flange and Brush Head for N6649W			106	122	158	134				
L9829-H Handle, stem and brush head for L41, L49, L233, L234			158							
L9813 Container for L40, N1049	106									
L9814 Container for L49	108									
L9815 Container for L41, L233, L234	108									
L9816 Container for N6649	120	120								
L9839 Container for N4349										108
L9884 Container and insert for N9549	162									
L9885 Brush head and handle for N9549			70	80		80				
L9886 Brush head only for N9549										28
N7075 Glass toilet brush holder for N7049										64
N7078 Brush head for all other brushes										26
N7079 Brush head only for N7049										26
N9804 Allthread to fix spare brush head to the handle										14

Spares

	White ceramic	CP	PN	AG	SSF	MBC	PB	No finish
Mirrors								
L9821 Plain mirror for 165mm (6.5") dia								40
L9822 Magnifying mirror for 165mm (6.5") dia								56
L9864 Magnifying mirror for N509-1, N510-1, N509-3, N510-3								120
L9865 Spare bulb for N509-1, N510-1								56
L9866 Plain mirror for L115, L119								40
L9867 Magnifying mirror L115, L119								94
Other Products								
L9801 Liner to L42, L44, L5042, L5044								70
L9806 Set of brackets for L5140		226			252			
L9807 Single bracket for N5137		122	134		134			
L9841 Plastic roller for L50, N93-B								30
L9844 Roller to suit N52, N1052, L229, N6652, N1452		120	134	176	146		146	
L9851 Pair of brackets for N2113, N2114, N2115		358	384					
L9853 Glass shelf for N1113-LR, N2113								40
L9854 Glass shelf for N2114								40
L9855 Glass shelf for N1115-LR, N2115								40
L9856 Pair of brackets for N1113-LR, N1115-LR		396						
L9858 Brush for L58		134		186				
L9859 Brush for L59		214		290				
L9868 Glass shelf for N5036								108
L9882 Glass shelf for N9543								80
L9883 Rail for N9561-B, N9562-B	108							
L9867-50 Glass shelf for N4313-50								80
L9867-65 Glass shelf for N4313-65								80
L9867-80 Glass shelf for N4313-80								94
L9887 Glass shelf to N9545								68
N7073 Glass Shelf for N7043								84
N7076 Pack of 2 screws and plugs								14
L9846 Left hand bracket for N5301		228	236		250			
L9847 Right hand bracket for N5301		228	236		250			
L9894-SG Tray for N171								40
L9895-SG Tray for N172								40
L9888 Left hand bracket for N1301		202	210	278	224		224	
L9889 Right hand bracket for N1301		202	210	278	224		224	
L9892 Left hand bracket for N2301		202	210	266			224	
L9893 Right hand bracket for N2301		202	210	266			224	
L9896 Lid only for L12		216	224	292	236		236	

Extension Kits								
V118-IS-XX - V990-XX								178
V218-IS-XX - V990-XX								178
V718-IS-XX - V718-EXT-XX								232
V818-IS-XX - V718-EXT-XX								232
V133-IS-XX - V133-EXT-XX								108
V607-IS-XX - V207-EXT-XX								70
V132-IS-XX - V132-EXT-XX								226
V134-IS-XX - V134-EXT-XX								148
V135-IS-XX - V135-EXT-XX								214
V111-IS-XX - V111-EXT-XX								168
V606-IS-XX - V606-EXT-XX								350
V168-IS-XX - V168-EXT-XX								108
V161-IS-XX - 161-EXT-XX								234

Spares

TAPS AND SHOWERS (For taps delivered before June 2000 please call our sales office)

Cartridges	CP	PN	AG	SSF	CNB /CTB	No finish
VS50022 DiverterCartridge for V741						26
VS50062 Cartridge supplied pre-2012 for V161, V121, V123, V127, V442, V444 V423, V425 and V427						432
VS56037 White Cartridge for V109, V119, V129, V131, V2K09, V2K19, V309, V329, VAC09, VAC19, VGC09, VGC19, V709, V710, V713, V720, V735						64
VS56022 Blue Cartridge for V2 versions of V109, V119, V129, V131, V2K09, V2K19, V309, V329, VAC09, VAC19, VGC09, VGC19, V709, V710, V713, V720, V735						64
VS56038 Cartridge for V108						22
VS56039 Cartridge for V2K08, V2K10						22
VS56055 Cartridge for V140						88
VS56041 Anti-clockwise closing cartridge for deck-mounted basin bidet & kitchen taps						24
VS56042 Clockwise closing cartridge for deck-mounted basin, bidet & kitchen taps						24
VS56043 Anti-clockwise closing cartridge for V104-V107,V204-V207, V304-V307, all bath taps, V117, V2K17, V222, V228, V604, V605, V606, V607, V6K6, V6K7, V6B1, V6K17, V6K30, V6K32, V6K48, V6K47, V6K42, V717, V744, V748, T1017, T1047						34
VS56044 Clockwise closing cartridge for all bath taps and V117, V2K17, V6K17, V6K30, V6K32, V6K48, V6K47, V6K42, V717, V744, V748, T1017, T1047						34
VS56045 Divertor cartridge for V132, V111						48
VS56046 Anti-clockwise ¼ turn cartridge for V132, V134, V135						32
VS56047 Clockwise ¼ turn cartridge for V135						32
VS50110 Thermo cartridge (identified by text on flow lever)						100
VS56063 Thermo cartridge for V104 to V106, V204 to V206, V304 to V306, V2K1, V220 plus earlier versions of V100, V200 & V300 (brown thermo cartridge)						98
VS56064 Thermo cartridge for V2K6, V240, V6K6, V6K7, V600, V700, T1000 plus later versions of V100, V200 & V300 (white thermo cartridge)						62
VS56065 Thermo cartridge for V132, V134, V135, V111						94
VS56068 Cartridge for V736, T1036						32
VS56663 Thermo cartridge for V604, V605	108	150	152	108	148	
VS12041 Dual control thermo cartridge for V161-IS						252
VS56665 Divertor cartridge for V168-IS						28
Indices						
VS51101 Antique basin/bidet Hot						12
VS51102 Antique basin/bidet Cold						12
VS51103 Antique bath Hot						12
VS51104 Antique bath Cold						12
VS51021 Georgian Hot (end cap for all)						12
VS51022 Georgian Cold (end cap for all)						12
VS51161 Hot indice	20	22	26	22	24	
VS51162 Cold indice	20	22	26	22	24	
Other spares						
VS19054 Divertor shuttle and cam for Antique & Georgian bath/shower mixers						80
VS19058 Divertor shuttle and cam for Fairfield bath/shower mixers						84
VS19092 Cable for V144						26
VS19658 Shuttle and cam for V6K30, V6K32	74	80	100	80	98	
VS56074 Side Valve 1/2" anti-clockwise closing						80
VS56075 Side Valve 1/2" clockwise closing						80
VS56090 Side Valve 3/4" anti-clockwise closing						108
VS56091 Side Valve 3/4" clockwise closing						108
VS59296 Divertor						24

Spares

Product Ref.	Description	Type	Product code	Price	
T20K16	3 Hole basin filler without pop-up waste, 290mm spout height	Clockwise closing cartridge	VS56075	80	
		Anti-clockwise closing cartridge	VS56074	80	
		Aerator min 0.5 bar, max 4 l/min (standard)	VS59268-1-20G	16	
		Aerator for 0.2 bar pressure	VS59255	8	
T20K17	3 Hole wall mounted basin filler, 200mm spout length	Clockwise closing cartridge	VS56043	34	
		Anti-clockwise closing cartridge	VS56044	34	
		Aerator min 0.5 bar, max 4 l/min (standard)	VS59268-1-20G	16	
		Aerator for 0.2 bar pressure	VS59255	8	
T20K47	3 Hole wall mounted bath filler, 200mm spout length	Clockwise closing cartridge	VS56043	34	
		Anti-clockwise closing cartridge	VS56044	34	
		Flow straightener	VS59286	18	
T20K48	4 Hole bath filler, 180mm spout length	Clockwise closing cartridge	VS56091	108	
		Anti-clockwise closing cartridge	VS56090	108	
	Handset	Antique Brass Matt	V182-ABM	276	
		Antique Gold	V182-AG	286	
		Chrome Plated	V182-CP	204	
		City Bronze	V182-CTB	276	
		Matt Black Chrome	V182-MBC	266	
		Polished Nickel	V182-PN	230	
		Stainless Steel	V182-SSF	240	
	Hose	Antique Brass Matt	V942-ABM	276	
		Antique Gold	V942-AG	192	
		Chrome Plated	V942-CP	110	
		City Bronze	V942-CTB	276	
		Matt Black Chrome	V942-MBC	158	
		Polished Nickel	V942-PN	120	
		Stainless Steel	V942-SSF	146	
	V141-SP	Free Standing Bath Spout	Flow straightener (standard)	VS59286	18
	L5044	Toilet Brush Set. Handle, stem and brush head	Antique Brass Matt	L9803-HX-ABM	208
Antique Gold			L9803-HX-AG	354	
Chrome Plated			L9803-HX-CP	144	
City Bronze			L9803-HX-CTB	208	
Matt Black Chrome			L9803-HX-MBC	174	
Polished Nickel			L9803-HX-PN	146	
Stainless Steel			L9803-HX-SSF	160	
Brush head			N7078-XX	26	
V111-IS	Concealed Thermo Valve - Rough	Thermostatic cartridge	VS56065	94	
		Diverter cartridge	VS56045	48	
V132-IS	Concealed Thermo Valve - Rough	Thermostatic cartridge	VS56065	94	
		Diverter cartridge	VS56045	48	
		Clockwise closing cartridge	VS56047	32	
V133-EXT	Extension piece for V133-IS		V133-EXT	108	
V133-IS	Concealed Thermo Valve - Rough	Thermostatic cartridge	VS56064	62	
V134-EXT	Extension piece for V134-IS		V134-EXT	148	
V134-IS	Concealed Thermo Valve - Rough	Thermostatic cartridge	VS56065	94	
		Clockwise closing cartridge	VS56047	32	
V135-EXT	Extension piece for V135-IS		V135-EXT	214	
V135-IS	Concealed Thermo Valve - Rough	Thermostatic cartridge	VS56065	94	
		Clockwise closing cartridge	VS56047	32	
		Anti-clockwise closing cartridge	VS56046	32	
V607-IS	Installation System	Anti-clockwise closing cartridge	VS56043	34	

Index accessories

Code	Page	Code	Page	Code	Page	Code	Page
L10	512	L1145-XL	499,505	N6649B	410	N9551-B	478
L12	512	L1146	499,505	N6649W	410	N9552-A	478
N19-B	503	L1146-XL	499,505	N6652	409	N9552-B	478
N20	501	L1149	500,504	N6655	412	N9560	478
N24	508	N1301	498	N6655-A	412	N9561-A	478
N26-W	502	N1301-A	498	N6664B	415,514	N9561-B	478
N28	509	N1432	238	N6664W	415,514	N9562-B	478
N29	512	N1437	238	N6665B	415,514	N9564	478,514
N30	502	N1439-B	238	N6665W	415,514	N9565	478,514
N31	501	N1452	238	N6666B	415,514	N9566	478,514
N32	501	N1455	239	N6666W	415,514	N9759	498
N34	501	N1455-A	239	N6698-6	409	N9760-A	499
N35	501	N1498-6	238	N6698-8	409	N9760-B	499
N36	509	N1498-8	238	N6701	412	N9760-C	499
N36-GXL	509	N1737	498	N6701-A	412	N9763-A	477
N36-XL	509	N1737-A	498	L6708	411	N9763-B	477
N37	501	N2113	503	N6713	412	N9766	477
N37-C	501	N2114	503	N6715	412	N9767	477
N39	502	N2301	503	L6743-C	412		
L40	515	N2301-A	503	L6745	411		
L41	515	N4313-50	488	L6745-XL	411		
L42	497,502	N4313-65	488	L6746-XL	411		
L44	515	N4326	488	L6749	412		
N47	501	N4326-XL	488	N6760-A	413		
N48	502	N4330	487	N6760-B	413		
L49	515	N4331	487	N6761-B	413		
N52	501	N4332	487	N6762-B	413		
L64	512	N4334	487	N6763	413		
L65	512	N4335	487	N6766	413		
L66	512	N4337	487	N6767	413		
L76	513	N4337-C	487	N7032	506		
L77	513	N4343-A	489	N7034	506		
N98-6	502	N4343-B	489	N7035	506		
L107	512	N4343-C	489	N7037	506		
L110	504	N4343-D	489	N7041	506		
L114	500	N4346-A	489	N7043	506		
L115	500	N4346-B	489	N7047	506		
L118	500	N4347	489	N7049	506		
L119	500	N4348	487	N7051	507		
L140	513	N4349-C	488	N7052	507		
L141	513	N4349-M	488	N7060	507		
L142	513	N4355-30-G	488	N7632F	360		
N151-GXL	509	N4355-30-M	488	N7632K	302		
N151-XL	509	N4355-40-G	488	N7634F	360		
N152	508	N4355-40-M	488	N7634K	302		
N153	509	N4356-45-G	489	N7635F	360		
N153-XL	509	N4356-45-M	488	N7635K	302		
N154	508	N4356-60-G	489	N7637F-LH	360		
N154-XL	508	N4356-60-M	488	N7637F-RH	360		
N156	508	N4356-80-G	489	N7637K-LH	302		
N156-GXL	508	N4356-80-M	488	N7637K-RH	302		
N156-XL	508	N4398	487	L7642K	238,303		
N158-GXL	508	N5031	491	L7644K	238,303		
N158-XL	508	N5032	491	N7648F	360		
L228	515	N5034	491	N7648K	302		
L232	515	N5035	158,491	N7655F	361		
L302	512	N5036	492	N7655F-A	361		
L303	496	N5037	185,491	N7655F-B	361		
N328	517	L5042	492	N7655K	303		
N331	517	L5044	185,492	N7655K-A	303		
N334	517	N5045	492	N7655K-B	303		
N509-3	500,504	N5091	185,491	N7691F	360		
N510-3	500,504	N5092	491	N7691K	302		
N520-1	494	N5094	493	N7698F-6	360		
L908	516	N5098	185,492	N7698F-8	360		
L928	516	N5113	492	N7698K-6	302		
N1020	496	L5118	494	N7698K-8	302		
N1026-W	497	N5137	185,493	N7739F	361		
N1030	497	N5137-A	185,493	N7739K	303		
N1031	496	N5137-B	185,493	N7766F	361		
N1032	496	N5139-A	185,493	N7766F-30	361		
N1034	496	N5139-B	185,493	N7766K	303		
N1035	496	N5173	493	N7766K-30	303		
N1037	496	N5173-A	493	N7767F	361		
N1037-C	496	N5301	185,493	N7767F-30	361		
N1039	497	N5301-A	185,493	N7767K	303		
N1047	496	N5304	491	N7767K-30	303		
N1048	497	L5326	494,516	N7902	507		
N1049	497,502	N6630	409	N7905	507		
N1052	496	N6631	409	N7913	507		
N1055	498	N6632	409	N9531	477		
N1055-A	498	N6637	409	N9532	477		
N1098-6	497	N6637-C	409	N9534	477		
N1098-8	497	N6639	409	N9535	477		
L1108	500	N6648	409	N9537	477		
N1113-LR	498	N6634B	410	N9538	477		
N1115-LR	498	N6634W	410	N9541	477		
N1133	498	N6635B	410	N9543	477		
N1133-A	498	N6635W	410	N9549	478,514		
L1143	499,504	N6647B	410	N9551	478		
L1145	499,505	N6647W	410	N9551-A	478		

Index taps & showers

Code	Page	Code	Page	Code	Page	Code	Page
V111-IS	48,49,102,103,166,167,168,169,224,225,291,349,399,476	V203-TGC	469	V289	475	V663	56,110,179,233,296,354,406,474
V118-IS	373,379,429,434,480	V203-TM	469	V290-M	430	V664	407
V132-IS	52,53,106,107,174,175,176,177,228,229,293,351,402,469	V203-TSB	469	V290-X	430	V665	56,110,179,233,296,354,406,474
V133-IS	42,43,96,97,154,155,156,157,218,219,288,346,396,464	V203-TSC	469	V293	430	V666	407
V134-IS	46,47,100,101,162,163,164,165,222,223,290,348,398,466	V203-TW	469	V299	281,299,341,357,382,408,437,476,485	V666-SPR	382,408
V135-IS	38,39,40,41,50,51,92,93,94,95,104,105,146,147,148,149,150,151,152,153,170,171,172,173,214,215,216,217,226,227,286,287,292,344,345,350,392,393,394,395,401,461,463,468	V206-T2C	470	V378	57,111,180,234,297,355	V667	407
V141-SP	25,79,133	V206-T2GB	470	V379	57,111,180,234,297,355	V668-TBCQ	405
V145	34,88,142,209,279,339,381,435,483	V206-T2GC	470	V392	37,91,145,212,282,342,382,436	V668-TBCR	405
V158-IS	381,436	V206-T2M	470	V392-UNS	37,91,145,212,282,342,382,436	V668-TCCQ	405
V159-SPR	485	V206-T2SB	470	V461-T	484	V668-TCCR	405
V161-IS	404,471,484	V206-T2SC	470	V527	484	V668-TD	405
T162	233	V206-T2W	470	V600-T2BCQ	396	V668-TL	405
V163	406,474	V206-T2X	470	V600-T2BCR	396	V668-TM	405
T164	235	V207-T2C	465	V600-T2CCR	396	V668-TMB	405
V165W	35,59,89,113,143,182,211,236,280,299,340,357,381,407,437,475,485	V207-T2GB	465	V600-T2CCQ	396	V668-TX	405
T166	235	V207-T2GBC	465	V600-T2CCR	396	V668-TXB	405
T166-SPR	211,236	V207-T2GC	465	V600-T2D	396	V669	406
T167	235	V207-T2M	465	V600-T2L	396	V669-EXT	406
V168-IS	54,55,108,109,178,232,295,353,405,472	V207-T2SB	465	V600-T2M	396	V669S	406
T169	223	V207-T2SC	465	V600-T2MB	396	V670	408
T169S	223	V207-T2W	465	V600-T2X	396	V670-KIT	408
T170	237	V207-T2X	465	V600-T2XB	396	V677EXT-TM	381
T170-KIT	237	V211-TC	467	V601-TBCQ	398	V677EXT-TMB	381
V171	36,90,144,212,281,341,381,435	V211-TGB	467	V601-TBCR	398	V677-TM	381
V172	36,90,144,212,218,341,381,435	V211-TGBC	467	V601-TCCQ	398	V679	406
T179-8	233	V211-TGC	467	V601-TCCR	398	V679-8	406
V176	58,112,181,236,298,356	V211-TM	467	V601-TL	398	V680	407
V178	57,111,180,234,297,355,474	V211-TSB	467	V601-TM	398	V690-M	375
T179	233	V211-TSC	467	V601-TMB	398	V690-MB	375
T179-8	233	V211-TW	467	V601-TX	398	V690-X	375
V182	35,59,89,113,143,182,236,281,299,341,357	V211-TX	467	V601-TXB	398	V690-XB	375
V188	57,111,180,234,297,355,474	V218-IS	373,379,429,434,480	V602-TBCQ	401	V700-TLF	346
V189	57,111,180,234,297,335,474	V238	375,431,482	V602-TBCR	401	V700-TLK	288
V190	24,78,132,200,268,328	V246	436,499	V602-TCCQ	401	V700-TLL	288
V192	24,78,132,200,268,328,375,430,481	V254-C	437,476	V602-TCCR	401	V700-TLW	288
V192-UNS	24,78,132,200,268,328	V254-M	437,476	V602-TL	401	V700-TXF	346
V193	24,78,132,200,268,328,375,430,481	V255-C	437,476	V602-TM	401	V700-TXK	288
V195	37,91,145,213,282,342,382,436,483	V255-M	437,476	V602-TMB	401	V701-TLF	348
V197	90,144,212,342,382,436,483	V256-C	437,476	V602-TX	401	V701-TLK	290
V198	297,355	V256-M	437,476	V602-TXB	401	V701-TLL	290
V199	476	V261-TC	471	V603-TBCQ	402	V702-TLF	350
V200-T2C	464	V261-TGB	471	V603-TBCR	402	V702-TLK	292
V200-T2GB	244	V261-TGBC	471	V603-TCCQ	402	V702-TLL	292
V200-T2GBC	244	V261-TGC	471	V603-TCCR	402	V703-TLF	351
V200-T2GC	464	V261-TM	471	V603-TL	402	V703-TLK	293
V200-T2M	464	V261-TSB	471	V603-TM	402	V703-TLL	293
V200-T2SB	464	V261-TSC	471	V603-TMB	402	V705-TLF	350
V200-T2SC	464	V261-TW	471	V603-TX	402	V705-TLK	292
V200-T2W	464	V262	473	V603-TXB	402	V705-TLL	292
V200-T2X	464	V264	474	V606-IS	230,231,294,352,403,470	V706-TLF	352
V201-TC	466	V266	474	V606-TBCQ	403	V706-TLK	294
V201-TGB	466	V266-SPR	476	V606-TBCR	403	V706-TLL	294
V201-TGBC	466	V267	474	V606-TCCR	403	V707-TLF	347
V201-TGC	466	V268-TC	472	V606-TCCQ	403	V707-TLK	289
V201-TM	466	V268-TGB	472	V606-TCCR	403	V707-TLL	289
V201-TSB	466	V268-TGBC	472	V606-TL	403	V707-TLW	289
V201-TSC	466	V268-TGC	472	V606-TM	403	V707-TXF	347
V201-TW	466	V268-TGB	472	V606-TMB	403	V707-TXK	289
V201-TX	466	V268-TGBC	472	V606-TX	403	V711-TLF	394
V202-TC	468	V268-TGC	472	V606-TXB	403	V711-TLK	291
V202-TGBC	468	V268-TM	472	V607-IS	44,45,98,99,158,159,160,161,220,221,289,347,379,465	V711-TLL	291
V202-TGC	468	V268-TMB	472	V607-TBCQ	397	V718-IS	22,23,30,31,76,77,84,85,130,131,138,139,198,199,206,207,266,267,278,326,327,338
V202-TM	468	V268-TSC	472	V607-TBCR	397	V720-LH-IS	264,265,275,267
V202-TSB	468	V268-TSC	472	V607-TCCQ	397		,277,324,325,335,336,337
V202-TGB	468	V268-TW	472	V607-TD	397	V720-RH-IS	264,265,275,267,277,324,325,335,336,337
V202-TSC	468	V268-TX	472	V607-TL	397	V736-IS	27,80,135,203,270,330
V202-TW	468	V269	473	V607-TM	397	V746-1F	340
V202-TX	468	V270	475	V607-TMB	397	V746-1K	280
V203-TC	469	V270-C	475	V607-TX	397	V746-2F	340
V203-TGB	469	V270-M	475	V611-TBCQ	399	V746-2K	280
V203-TGBC	469	V272	475	V611-TBCR	399	V754-F	341,357
		V273	475	V611-TCCQ	399	V754-K	281,299
		V274	475	V611-TCCR	399	V758-IS	34,88,142,209,280,340
		V275	475	V611-TL	399	V762	296,354
		V276	58,112,181,235,298,356,407,475,486	V611-TM	399	V764	298,356
		V277-GBC	435	V611-TMB	399	V766	298,365
		V277-TC	435	V611-TX	399	V766F-SPR	341,357
		V277-TM	435	V611-TXB	399	V766K-SPR	281,299
		V277-TSB	435	V466	381	V767	298,365
		V277-TSC	435	V654	211,236,382,407	V768-TLF	353
		V277-TW	435	V654B	382,407	V768-TLK	295
		V279	473	V661-TDL	404	V768-TLL	295
		V279-8	473	V661-TXM	404	V768-TLW	295
		V280	436	V661-TXMB	404	V768-TXF	353
		V281	475	V662	406		
		V282	475				
		V283	381,407,436,474				
		V284	475				
		V285	475				
		V286	475				
		V287	475				
		V288	475				

Index taps & showers

Code	Page	Code	Page	Code	Page	Code	Page
V768-TXK	295	T1041-LB	210	T2007-TCGR	159	T20K17-1CBA	23
V769	296,354	T1041-R	210	T2007-TCOL	98	T20K17-1CGR	130
V769-S	296,354	T1046	209	T2007-TCOR	160	T20K17-1COL	131
V770	300,358	T1068-LA	232	T2007-TCOX	99	T20K17-1COR	131
V770-KITF	358	T1068-LB	232	T2007-TCPR	161	T20K17-1COX	77
V770-KITK	300	T1077EXT-LA	212	T2007-TCTL	44	T20K17-1CPR	131
V777EXT-LF	341	T1077EXT-LB	212	T2007-TCTR	158	T20K17-1CTL	22
V777LF	341	T1077-LA	212	T2010-B	12	T20K17-1CTR	130
V777LK	281	T1077-LB	212	T2010-CTL	12,66	T20K17-2CBA	23
V777LL	281	T1080	235	T2010-CTR	120	T20K17-2CGR	130
V779	296,354	T10K14CBR	195	T2011-TCBA	49	T20K17-2COL	76
V779-8	296,354	T10K14CCR	195	T2011-TCGR	167	T20K17-2COR	131
V780-F	340	T10K14LA	194	T2011-TCOL	102	T20K17-2COX	77
V780-K	280,298	T10K14LB	194	T2011-TCOR	168	T20K17-2CPR	131
V783	35,58,89,112,143,181,211, 235,280,298,340,356	T10K14R	195	T2011-TCOX	103	T20K17-2CTL	22
V790-F	357	T10K17-1CBR	199	T2011-TCPR	169	T20K17-2CTR	130
V790-K	299	T10K17-1CCR	199	T2011-TCPR	48	T20K36-CTL	27
V791-F-C	357	T10K17-1LA	198	T2011-TCTL	48	T20K36-CTR	135
V791-F-H	357	T10K17-1LB	198	T2011-TCTR	166	T20K42-CBA	33
V791-K-C	299	T10K17-1R	199	T2019-CTL	13	T20K42-CGR	140
V791-K-H	299	T10K17-2CBR	199	T2019-CTR	121	T20K42-COL	86
V818-IS	22,23,30,31,76,77,84,85,130, 131,138,139,198,199,206,207,266,267, 278,326,327,338	T10K17-2CCR	199	T2020-1CTL	20	T20K42-COR	141
V904	473,486	T10K17-2LA	198	T2020-1CTR	129	T20K42-CPR	141
V908	473,486	T10K17-2LB	198	T2020-2CTL	20	T20K42-COX	87
V909	473,486	T10K17-2R	199	T2020-2CTR	129	T20K42-CTL	32
V912	473,486	T10K36LA	202	T2020-IS	20,74,129	T20K42-CTR	140
V913	473,486	T10K36LB	202	T2046	34,88,142	T20K47-CBA	31
V922	485	T10K42CBR	208	T2062	56,110,179	T20K47-CGR	138
V940W	35,59,89,113,143,182, 211,236,280,299,340,357,381,407, 437,475,485	T10K42CCR	208	T2064	58,112,181	T20K47-COL	84
V941	35,59,89,113,143,182,211, 236,280,299,340,357,381,407,437, 475,485	T10K42LA	208	T2066	58,112,181	T20K47-COR	139
V942	35,59,89,113,143,182,211, 236,280,299,340,357,381,407,437, 475,485	T10K42LB	208	T2066-SPR	35,59,89, 113,143,182	T20K47-COX	85
V954	485	T10K42R	208	T2068-CBA	55,178	T20K47-CPR	139
V958	485	T10K47CBR	207	T2068-COL	108	T20K47-CTL	30
V973	486	T10K47CCR	207	T2068-COX	109	T20K47-CTR	138
V981	485	T10K47LA	206	T2068-CTL	54	T20K48-CBA	29
V982	485	T10K47LB	206	T2069	56,110,179	T20K48-CGR	136
V986-300	24,78,132,200,268,328, 375,430	T10K47R	207	T2069S	56,110,179	T20K48-COL	82
V986-500	24,78,132,200,268,328, 375,430	T10K48CBR	205	T2070	59,113,182	T20K48-COR	137
V987	57,111,180,234,298,356,475	T10K48CCR	205	T2070-KIT	59,113,182	T20K48-COX	83
T10B1	216,217	T10K48LA	204	T2077-CTL	36,90,144	T20K48-CPR	137
T10B2	214,215	T10K48LB	204	T2077EXT-CTL	36,90,144	T20K48-CTL	28
T1000-CBR	219	T10K48R	205	T2079	56,110,179	T20K48-CTR	136
T1000-CCR	219	T12K16CBR	197	T2079-8	56,110,179	V2B1XC	460
T1000-LA	218	T12K16CCR	197	T2080	35,58,89,112, 143,181	V2B1XGB	461
T1000-LB	218	T12K16LA 196		T20B1CBA	41	V2B1XGBC	460
T1000-R	219	T12K16LB 196		T20B1CGR	151	V2B1XGC	461
T1001-CBR	223	T12K16R 197		T20B1COL	94	V2B1XM	460
T1001-CCR	223	T2000-TCBA	43	T20B1COR	152	V2B1XSB	461
T1001-LA	222	T2000-TCGR	155	T20B1COX	95	V2B1XSC	461
T1001-LB	222	T2000-TCOL	96	T20B1CPR	153	V2B1XW	460
T1001-R	223	T2000-TCOR	156	T20B1CTR	40	V2B1XX	460
T1002-CBR	227	T2000-TCOX	97	T20B2CBA	39	V2B2XC	462
T1002-CCR	227	T2000-TCPR	157	T20B2CGR	147	V2B2XGBC	462
T1002-LA	226	T2000-TCTL	42	T20B2COL	92	V2B2XGC	463
T1002-LB	226	T2000-TCTR	154	T20B2COR	148	V2B2XM	462
T1002-R	227	T2001-TCBA	47	T20B2COX	93	V2B2XSB	463
T1003-CBR	229	T2001-TCGR	163	T20B2CPR	149	V2B2XSC	463
T1003-CCR	229	T2001-TCOL	100	T20B2CTL	38	V2B2XW	462
T1003-LA	228	T2001-TCOR	164	T20B2CTR	146	V2B2XX	462
T1003-LB	228	T2001-TCOX	101	T20K14-CBA	15	V2K08C	423
T1003-R	229	T2001-TCPR	165	T20K14-CGR	122	V2K08GB	423
T1006-CBR	231	T2001-TCTL	46	T20K14-COL	68	V2K08GC	423
T1006-CCR	231	T2001-TCTR	162	T20K14-COR	123	V2K08M	423
T1006-LA	230	T2002-TCBA	51	T20K14-COX	69	V2K09C	424
T1006-LB	230	T2002-TCGR	171	T20K14-CPR	123	V2K09GB	424
T1006-R	231	T2002-TCOL	104	T20K14-CTL	14	V2K09GBC	424
T1007-CBR	221	T2002-TCOR	172	T20K14-CTR	122	V2K09M	424
T1007-CCR	221	T2002-TCOX	105	T20K15-CBA	17	V2K09SB	424
T1007-LA	220	T2002-TCPR	173	T20K15-CGR	124	V2K09SC	424
T1007-LB	220	T2002-TCTL	50	T20K15-COL	70	V2K09W	424
T1007-R	221	T2002-TCTR	170	T20K15-COR	125	V2K10GB	423
T1011-CBR	225	T2003-TCBA	53	T20K15-COX	71	V2K10GBC	423
T1011-CCR	225	T2003-TCGR	175	T20K15-CPR	125	V2K10GC	423
T1011-LA	224	T2003-TCOL	106	T20K15-CTL	16	V2K10M	423
T1011-LB	224	T2003-TCOR	176	T20K15-CTR	124	V2K10W	423
T1011-R	225	T2003-TCOX	107	T20K16-CBA	19	V2K11C	427
T1041-CBR	210	T2003-TCPR	177	T20K16-CGR	126	V2K11GB	427
T1041-CCR	210	T2003-TCTL	52	T20K16-COL	72	V2K11GBC	427
T1041-LA	210	T2003-TCTR	174	T20K16-COR	127	V2K11GC	427
		T2005-TCBA	51	T20K16-COX	73	V2K11M	427
		T2005-TCGR	171	T20K16-CPR	73	V2K11SB	427
		T2005-TCOL	104	T20K16-CTL	18	V2K11WC	427
		T2005-TCOR	172	T20K16-CTR	126	V2K11X	427
		T2005-TCOX	105				
		T2005-TCPR	173				
		T2005-TCTL	50				
		T2005-TCTR	170				
		T2007-TCBA	45				

Index taps & showers

Code	Page	Code	Page	Code	Page	Code	Page
V2K13C	438	V2K42GB	435	V6K13XB	374	V6K6BCR9	386
V2K13GB	438	V2K42GBC	435	V6K14BCQ	371	V6K6CCQ9	386
V2K13GBC	438	V2K42GC	435	V6K14BCR	371	V6K6CCR9	386
V2K13GC	438	V2K42M	435	V6K14CCQ	371	V6K6DL9	387
V2K13M	438	V2K42SB	435	V6K14CCR	371	V6K6MM9	385
V2K13SB	438	V2K42SC	435	V6K14D	371	V6K6MMB9	385
V2K13SC	438	V2K42W	435	V6K14L	371	V6K6XM9	385
V2K13W	438	V2K42X	435	V6K14M	371	V6K6XMB9	385
V2K14C	426	V2K47C	434	V6K14MB	371	V6K6XX9	385
V2K14GB	426	V2K47GB	434	V6K14X	371	V6K6XXB9	385
V2K14GBC	426	V2K47GBC	434	V6K14XB	371	V6K7BCQ9	390
V2K14GC	426	V2K47GC	434	V6K16BCQ	372	V6K7BCR9	390
V2K14M	426	V2K47M	434	V6K16BCR	372	V6K7CCQ9	390
V2K14SB	426	V2K47S	434	V6K16CCQ	372	V6K7CCR9	390
V2K14SC	426	V2K47SC	434	V6K16CCR	372	V6K7DL9	391
V2K14W	426	V2K47W	434	V6K16D	372	V6K7MM9	389
V2K14X	426	V2K47X	434	V6K16L	372	V6K7MMB9	389
V2K15C	426	V2K48C	433	V6K16M	372	V6K7XM9	389
V2K15GB	426	V2K48GB	433	V6K16MB	372	V6K7XMB9	389
V2K15GBC	426	V2K48GBC	433	V6K16X	372	V6K7XX9	389
V2K15GC	426	V2K48GC	433	V6K16XB	372	V6K7XXB9	389
V2K15M	426	V2K48M	433	V6K17BCQ	373	V7B1WLL9	287
V2K15SB	426	V2K48SB	433	V6K17BCR	373	V7B1XLF9	345
V2K15SC	426	V2K48SC	433	V6K17CCQ	373	V7B1XLB9	287
V2K15W	426	V2K48W	433	V6K17CCR	373	V7B2WLL9	286
V2K15X	426	V2K48X	433	V6K17D	373	V7B2XLF9	344
V2K16C	428	V2K4CC	457	V6K17L	373	V7B2XLB9	286
V2K17GB	429	V2K4GB	458	V6K17M	373	V7K6XLF9	434
V2K17GBC	429	V2K4GBC	456	V6K17MB	373	V7K6XLB9	285
V2K17GC	429	V2K4GC	458	V6K17X	373	V7K6LLK9	285
V2K16GB	428	V2K4MM	456	V6K17XB	373	V7K6LLL9	285
V2K16GBC	428	V2K4SB	459	V6K19BCQ	370	V7K6WLL9	285
V2K16GC	428	V2K4SC	459	V6K19BCR	370	V7K09LF-LH	304,309
V2K16M	428	V2K4WW	457	V6K19CCQ	370	V7K09LF-RH	304,309
V2K16SB	428	V2K4XM9	457	V6K19CCR	370	V7K09LK-LH	244,249
V2K16SC	428	V2K6CC	445	V6K19L	370	V7K09LK-RH	244,249
V2K16W	428	V2K6MM	444	V6K19M	370	V7K09LL-LH	249
V2K16X	428	V2K6XC	445	V6K19MB	370	V7K09LL-RH	249
V2K17C	429	V2K6XGB	446	V6K30BCQ	376	V7K10LF-LH	309
V2K17M	429	V2K6XGBC	444	V6K30BCR	376	V7K10LF-RH	309
V2K17SB	429	V2K6XGC	446	V6K30CCQ	376	V7K13-1LF	315
V2K17SC	429	V2K6XM9	445	V6K30CCR	376	V7K13-1LK	255
V2K17W	429	V2K6XSB	447	V6K30D	376	V7K13-1LL	255
V2K17X	429	V2K6XSC	447	V6K30L	376	V7K13-2LF	315
V2K19C	425	V2K6XW	445	V6K30M	376	V7K13-2LK	255
V2K19GB	425	V2K7CC	543	V6K30MB	376	V7K13-2LL	255
V2K19GBC	425	V2K7MM	452	V6K30X	376	V7K13-3LF	317
V2K19GC	425	V2K7XC	453	V6K30XB	376	V7K13-3LK	257
V2K19M	425	V2K7XGB	454	V6K32BCQ	377	V7K13-3LL	257
V2K19SB	425	V2K7XGC	454	V6K32BCR	377	V7K14LF	319
V2K19SC	425	V2K7XGBC	453	V6K32CCQ	377	V7K14LK	259
V2K19W	425	V2K7XM9	453	V6K32CCR	377	V7K14LL	259
V2K1CC	441	V2K7XSB	453	V6K32D	377	V7K14LW	259
V2K1MM	440	V2K7XSC	453	V6K32L	377	V7K14XF	319
V2K1XC	441	V2K7XW	453	V6K32M	377	V7K14XK	259
V2K1XGB	442	V6B1BCQ9	393	V6K32MB	377	V7K15LF	321
V2K1XGBC	440	V6B1BCR9	393	V6K32X	377	V7K15LK	261
V2K1XGC	442	V6B1CC9	393	V6K32XB	377	V7K15LL	261
V2K1XM9	441	V6B1CCR9	393	V6K42BCQ	380	V7K15LW	261
V2K1XSB	443	V6B1DL9	393	V6K42BCR	380	V7K15XF	321
V2K1XSC	443	V6B1XM9	392	V6K42CCQ	380	V7K15XK	261
V2K1XW	441	V6B1XMB9	392	V6K42CCR	380	V7K16LF	323
V2K2MM	448	V6B1XX9	392	V6K42D	380	V7K16LK	263
V2K2XC	449	V6B1XXB9	392	V6K42L	380	V7K16LL	263
V2K2XGB	450	V6B2BCQ9	395	V6K42M	380	V7K16LW	263
V2K2XGBC	448	V6B2BCR9	395	V6K42MB	380	V7K16XF	323
V2K2XGC	450	V6B2CCQ9	395	V6K42X	380	V7K16XK	263
V2K2XMG	449	V6B2CCR9	395	V6K42XB	380	V7K17-1LF	327
V2K2XSB	451	V6B2DL9	395	V6K47BCQ	379	V7K17-1LK	267
V2K2XSC	451	V6B2XM9	394	V6K47BCR	379	V7K17-1LL	267
V2K2XW	449	V6B2XMB9	394	V6K47CCQ	379	V7K17-1LW	267
V2K30C	431	V6B2XX9	394	V6K47CCR	379	V7K17-1XF	327
V2K30GB	431	V6B2XXB9	394	V6K47D	379	V7K17-1XK	267
V2K30GBC	431	V6K09BCQ	369	V6K47L	379	V7K17-2LF	327
V2K30GC	431	V6K09BCR	369	V6K47M	379	V7K17-2LK	267
V2K30M	431	V6K09CCQ	369	V6K47MB	379	V7K17-2LL	267
V2K30SB	431	V6K09CCR	369	V6K47X	379	V7K17-2LW	267
V2K30SC	431	V6K09L	369	V6K47XB	379	V7K17-2XF	327
V2K30W	431	V6K09M	369	V6K48BCQ	378	V7K17-2XK	267
V2K30X	431	V6K09MB	369	V6K48BCR	378	V7K17-3LF	327
V2K32C	432	V6K13BCQ	374	V6K48CCQ	378	V7K17-3LK	327
V2K32GB	432	V6K13BCR	374	V6K48CCR	378	V7K17-3LL	267
V2K32GBC	432	V6K13CCQ	374	V6K48D	378	V7K17-3LW	267
V2K32GC	432	V6K13CCR	374	V6K48L	378	V7K17-3XF	327
V2K32M	432	V6K13D	374	V6K48M	378	V7K17-3XK	267
V2K32SB	432	V6K13L	374	V6K48MB	378	V7K19LF-LH	312
V2K32SC	432	V6K13M	374	V6K48X	378	V7K19LF-RH	312
V2K32W	432	V6K13MB	374	V6K48XB	378	V7K19LK-LH	252
V2K32X	432	V6K13X	374	V6K6BCQ9	386	V7K19LK-RH	252
V2K42C	435						

Index taps & showers

Code	Page	Code	Page
V7K19LL-LH	252	V7K43-1LK	277
V7K19LL-RH	252	V7K43-1LK-NP	227
V7K20-1LF-LH	325	V7K43-1LL	277
V7K20-1LF-NP	325	V7K43-1LL-NP	277
V7K20-1LF-RH	325	V7K43-2LF	337
V7K20-1LK-LH	265	V7K43-2LF-NP	337
V7K20-1LK-NP	265	V7K43-2LK	277
V7K20-1LK-RH	265	V7K43-2LK-NP	277
V7K20-1LL-LH	265	V7K43-2LL	277
V7K20-1LL-NP	265	V7K43-2LL-NP	277
V7K20-1LL-RH	265	V7K44-1LF	333
V7K20-2LF-LH	325	V7K44-1LK	273
V7K20-2LF-NP	325	V7K44-1LL	273
V7K20-2LF-RH	325	V7K44-1LW	273
V7K20-2LK-LH	265	V7K44-1XF	333
V7K20-2LK-NP	265	V7K44-1XK	273
V7K20-2LK-RH	265	V7K44-2LF	333
V7K20-2LL-LH	265	V7K44-2LK	273
V7K20-2LL-NP	265	V7K44-2LL	273
V7K20-2LL-RH	265	V7K44-2LW	273
V7K20-3LF-LH	325	V7K44-2XF	333
V7K20-3LF-NP	325	V7K44-2XK	273
V7K20-3LF-RH	325	V7K47-1LF	338
V7K20-3LK-LH	265	V7K47-1LK	278
V7K20-3LK-NP	265	V7K47-1LL	278
V7K20-3LK-RH	265	V7K47-1LW	278
V7K20-3LL-LH	265	V7K47-1XF	338
V7K20-3LL-NP	265	V7K47-1XK	278
V7K20-3LL-RH	265	V7K47-2LF	338
V7K31LF-LH	311	V7K47-2LK	278
V7K31LF-RH	311	V7K47-2LL	278
V7K31LK-LH	251	V7K47-2LW	278
V7K31LK-RH	251	V7K47-2XF	338
V7K31LL-LH	251	V7K47-2XK	278
V7K31LL-RH	251	V7K48-1LF	334
V7K32LF	313	V7K48-1LK	274
V7K32LK	253	V7K48-1LL	274
V7K32LL	253	V7K48-1LW	274
V7K33LF	313	V7K48-1XF	334
V7K33LK	253	V7K48-1XK	274
V7K33LL	253	V7K48-2LF	334
V7K35-1LF-LH	335	V7K48-2LK	274
V7K35-1LF-NP	335	V7K48-2LL	274
V7K35-1LF-RH	335	V7K48-2LW	274
V7K35-1LK-LH	275	V7K48-2XF	334
V7K35-1LK-NP	275	V7K48-2XK	274
V7K35-1LK-RH	275	VAC01	480
V7K35-1LL-LH	275	VAC10	480
V7K35-1LL-NP	275	VAC14	480
V7K35-1LL-RH	275	VAC15	480
V7K35-2LF-LH	335	VAC17-T	480
V7K35-2LF-NP	335	VAC20	481
V7K35-2LF-RH	335	VAC30	482
V7K35-2LK-LH	276	VAC34-X	482
V7K35-2LK-NP	276	VAC36-D	482
V7K35-2LK-RH	276	VAC36-DX	482
V7K35-2LL-LH	276	VA63-X	375,430,481
V7K35-2LL-NP	276	VA60	24,78,13
V7K35-2LL-RH	276		2,200,268,328,375,430,481
V7K36LF	330	VA65	37,91,14
V7K36LK	270		5,212,282,342,382,436,483
V7K36LL	270	VA66	37,91,14
V7K37LF	331		5,213,282,342,382,436,483
V7K37LK	271	VA67	37,91,145,213,282,342,382,436
V7K37LL	271	VA72	
V7K38-1LF	331		375,430,481
V7K38-1LK	331	VA91	485
V7K38-1LL	271		
V7K38-2LF	331		
V7K38-2LK	331		
V7K38-2LL	271		
V7K39-1LF	332		
V7K39-1LK	272		
V7K39-1LL	272		
V7K39-2LF	332		
V7K39-2LK	272		
V7K39-2LL	272		
V7K41LF	340		
V7K41LK	280		
V7K41LL	280		
V7K42LF	339		
V7K42LK	279		
V7K42LL	279		
V7K42LW	279		
V7K42XF	339		
V7K42XK	279		
V7K43-1LF	337		
V7K43-1LF-NP	337		

Terms and conditions summary (full details available on request)

PRICES

Goods will be invoiced at prices ruling on date of despatch. All previous price lists are now cancelled. Prices are subject to alteration without notice and do not include VAT. Prices are calculated in sterling.

ADDITIONS TO ORDERS

We process all customer orders upon receipt and are therefore unable to accept any addition to orders or cancellations once the order has been received.

DELIVERY

Orders below €350.00 nett goods value are subject to a €25.00 handling charge.

Claims for non-delivery, shortages or damage to goods cannot be entertained unless we and the carriers are notified in writing within 7 days from the date of invoice. Claims will not be accepted where customer has requested a third party delivery address.

A minimum additional €10.00 delivery charge will be made for deliveries to third parties.

GOODS RETURNED FOR CREDIT

Goods may only be returned for credit after prior authorisation with our sales office who will issue a goods returns authorization number. Unsolicited returns without an authorization number will not be accepted by the Company. Goods will only be considered for return within 28 days of our delivery date and a minimum handling charge of 25% will be made, subject to the condition of the goods and of the packaging.

RETURN OF SPECIALS

Products made to special order cannot be cancelled or returned once their production has been agreed upon by both parties and a confirmed order received.

RETENTION OF TITLE

Ownership of goods shall remain in the Company until full payment has been received for all goods comprised in this contract. If any goods are re-sold before payment is made the Company's right of ownership shall be transferred to the proceeds of sale or to the claim for such proceeds.

QUOTATIONS

Quotations issued by Samuel Heath are indicative only and not binding. Unless a period of validity is stated, this should be considered as one month.

PAYMENT

Payment must be made to Samuel Heath in accordance with the invoice terms for the product warranty to be valid.

SPECIAL ORDERS

Agreement must be reached in writing. A signed special order form must be received from the customer in order for production to commence.

Upon receipt of this signed order there can be no deferment or cancellation and the customer is bound to pay the full amount due.

LIABILITY

All goods should be checked upon your receipt and prior to installation. All quotations are given and goods sold subject to the conditions that the seller's liability is limited to goods proved to have been defective in material or workmanship when they left the seller's works. No claim will be accepted where goods have been used for the purpose for which they were not intended, not fitted correctly, not maintained to the seller's recommended standards or have been abused or misused. Samuel Heath's liability is limited to the replacement of the faulty product only and does not allow for claims for other costs such as damage to products not supplied by Samuel Heath or for working hours or for repairs.

APPLICABLE LAW

The terms and conditions are in accordance with UK law and all claims must be made under the jurisdiction of UK law.

FINISHES

The finish of the product must be cared for in accordance with Samuel Heath's Care Instructions (copy available upon request). Abrasive cleaners must be avoided. Variations in natural metal finishes such as unlacquered brass and bronze are unavoidable in the production process and do not constitute a reason for return of the product.

MECHANICAL GUARANTEE

A 10 year mechanical guarantee is extended on all bathroom accessories and brassware components to be free from malfunction due to defects in material and workmanship. This guarantee is not transferable and excludes all normal wear and tear.

SHOWER GUARANTEE

A 2 year mechanical guarantee is extended on all thermostatic shower components to be free from malfunction due to defects in material and workmanship.

For validity it is important that care instructions are complied with. This guarantee does not affect your statutory rights.

All products must be installed by a qualified professional installer for this guarantee to be valid. The guarantee period begins from the date of delivery from our factory. This guarantee is non-transferable.

SERVICING

All taps and showers require servicing to ensure continued optimum performance. This requirement is all the more important in hard water areas (risk of limescale). Servicing is not covered by our manufacturer's guarantee and should be carried out by a qualified plumbing engineer.

The information stated within this price book is for guideline purposes. Where flow rates are stated it is worth noting that the suitability of the product and its performance will be determined by the relevant supply pressures being available. Should you require any further information please contact our technical team.



Products featuring the WRAS logo comply with the appropriate water supply regulations in the United Kingdom. Approvals are valid at time of going to print. Latest status can be checked on the WRAS website.



All shower heads are limited to 6.6 l/min.

All hand showers are limited to 6.6 l/min.

If low pressure basin taps are required as water saving please contact us to order the relevant aerator.



Water flow can be limited to meet water usage requirements such as BREEAM.

Shower valves work at 0.2 bar with a hand shower.

Shower heads require min 0.5 bar.



Landmark - Pure basin mixer with slim spout in polished nickel finish

SAMUEL HEATH

Handmade in England

Samuel Heath
Leopold Street
Birmingham
England B12 0UJ

T: Customer Service +44 (0)121 766 4200
E: info@samuel-heath.com

London Showroom
1st Floor, North Dome
Design Centre Chelsea Harbour
London SW10 0XE

T: +44 (0)20 7352 0249

samuel-heath.com

